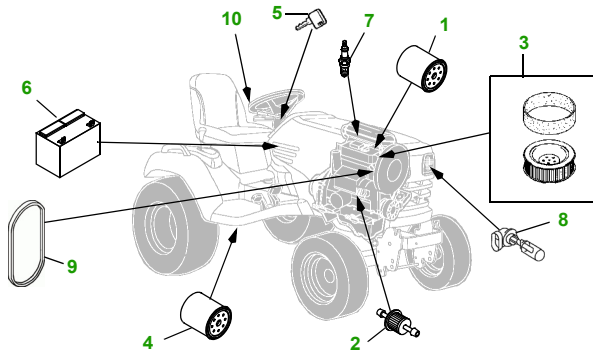


# MAINTENANCE REMINDER SHEET

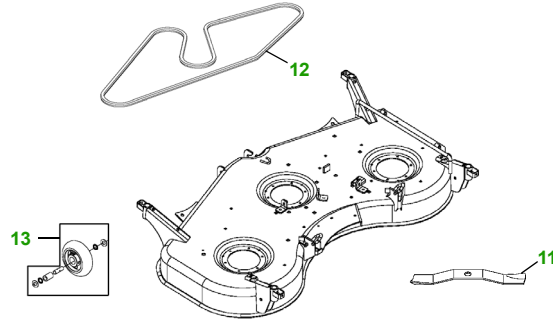
## X724 with 60D Deck

### Ultimate Tractor



Tractor S/N

### 60" Drive Over Deck



Deck S/N

Key	Part No.	Description
1	AM107423	OIL FILTER
2	AM117584	FUEL FILTER - IN-LINE
3	M148207	AIR FILTER - FOAM
	M152049	AIR FILTER - PAPER
4	AM131054	TRANSMISSION FILTER
5	AM131841	KEY - PADDED
6	TY25221	BATTERY
7	M138938	SPARK PLUG
8	R136239	HEADLIGHT BULB

Key	Part No.	Description
9	M147344	FAN BELT
	M153381	FAN BELT (OPTION)
10	AM137724	FUEL CAP
11	TCU15881	BLADE - HI LIFT
	M131958	BLADE - MULCHING
12	M120381	BELT
13	AM136720	KIT - GAGE WHEEL

### Service Recommendations

Qty	Part No	Item	Qty or Capacity	Change Interval in Hours
3	AM107423	Oil Filter	1	8/100/200
2	TY22008	1 Gal. JD Plus 50 15W40 Engine Oil	1.9 qt	8/100/200
1	AM131054	Transmission Filter	1	200
2	TY22000	1 Gal Low Vis Hygard	6 qt (AWS) 7 qt (2WS)	200
1	M148207	Air Filter - Foam	1	200
1	M152049	Air Filter - Paper	1	200
2	AM117584	Fuel Filter	1	50/200
2	M138938	Spark Plug	2	200
2	TY6341	JD Multi Purpose SD Polyurea Grease		As Needed

### "As Needed" Parts

Qty	Part No	Item
1	AM130907	Mower Deck Leveling Gauge
1	TY26183	Grease Gun

#### FOR ON-LINE PARTS ASSISTANCE:

[www.JDParts.Deere.com](http://www.JDParts.Deere.com)



- VIEW [John Deere Parts Catalog](#) to look-up part numbers
- ORDER parts on-line from your [John Deere Dealer](#)
- SEARCH for parts for [YOUR specific model](#)
- SEARCH for parts by [Partial Part Number](#)

[www.Deere.com](http://www.Deere.com)

- PRINT [Valuable Parts Coupons for discounts at your John Deere Dealer](#)
- REVIEW John Deere [Parts Quality Stories](#)
- SEE a complete list of all [Home Maintenance Kits](#)
- CONSIDER [Quick Reference Guides](#) for your commercial equipment

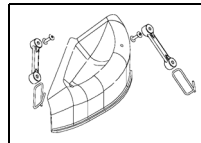
#### FOR ON-LINE SERVICE ASSISTANCE:

[www.Deere.com](http://www.Deere.com)

- VIEW [Technical \(Service\) Publications and Operator's Manuals](#)
- SELECT the desired [Maintenance Plan](#) that is right for you
- UNDERSTAND the [John Deere Warranty](#) on your equipment

#### OTHER SITES:

- SEARCH [Home & Workshop Products](#) off the Residential section at Deere.com.
- GO TO [www.johndeerecredit.com](http://www.johndeerecredit.com) to find your finance solution
- FIND the mower that is right for you through our [JD Mower Selection Tool](#)
- GO TO [www.johndeeregifts.com](http://www.johndeeregifts.com) to stop by John Deere's "General Store"



Mulch Kit ..... BM21890

Dealer Name  
Contact Name  
Dealer Phone No



### Home Maintenance Kit

Unit	Kit Number
X724	LG244

