

HYDRAULIC EXCAVATORS



JOHN DEERE

E300 LC/ E380 LC

A large John Deere hydraulic excavator is shown in a construction setting. The machine is primarily grey with yellow accents, including the bucket and parts of the chassis. The boom is extended upwards, and the yellow bucket is tilted, dumping a stream of reddish-brown soil. The background is a bright blue sky with scattered white clouds. The excavator's body is positioned on a mound of earth.

POWER
PLUS CONTROL

A close-up, low-angle shot of a Deere excavator's yellow bucket dumping a large amount of sand. The sand is falling in a thick, golden stream, creating a large cloud of dust at the base. The excavator's black arm is visible in the upper right, with the word "DEERE" printed in white. The background is a bright blue sky with scattered white clouds. The overall scene is dynamic and emphasizes the power and productivity of the machinery.

DEERE

**TAKE ON
MORE.**



POWERFUL



EFFICIENT



MORE THAN MUSCLE.

Boasting exceptional digging forces, swing torques, and lift capacities, our E300 LC and E380 LC, Excavators provide generous muscle for mass excavation. But even with their extra ability, these excavators don't compromise the smooth control and multifunction capability that have become the trademarks of John Deere excavators. Field-proven Deere PowerTech Plus engines deliver superb fuel efficiency and is fully integrated with our Intelligent Hydraulic (JD-IHC) system to deliver fast, smooth response. Redesigned cab boasts new ergonomic automotive-quality styling, a new touch-screen monitor, and intuitive controls. And expanded bucket options and additional auxiliary hydraulic lines allow you to power a wide array of attachments. Powerful and productive, yet efficient and easy to run, these large excavators can help your operation achieve its full potential.

EVERY MOMENT MATTERS

PROVEN RELIABILITY.

Uptime is everything when numerous people, machines, and budgets depend on your excavator. That's why the E300 LC and E380 LC, are built tough to deliver excellent uptime, with heavy-duty booms and arms, a robust electrical system, optimized hydraulic routing, and other customer-inspired features.

Solid footing

Sealed and lubricated undercarriage and heavy-duty welded X-frame provide a solid, stable platform. Sloped track frame resists material buildup to decrease cleaning time. Full-length track guides and double-grouser track shoes are optional, for rocky terrain.

Efficient cooling

Heavy-duty cooling system keeps the engine and hydraulic system running efficiently, even in tough environments.

For the long haul

Heavy-duty arm and boom are durably built, for long life even in severe applications.

Durability in every detail

Steel ribs protect the arm when curling a loaded bucket, and steel collars guard grease points in tough environments. Extra side bumper on two sides of the upper frame on heavy-duty models protects the machine from damage on crowded jobsites.

Reliable electrical and hydraulic systems

Solid-state electronics and uncomplicated system architecture mean fewer wires, mechanical relays, and electrical connectors are needed. Hydraulic hoses are O-ring-face sealed and routed where they're protected and easy to repair.



TOUGH
BOOMS AND ARMS

STANDOUT FEATURE



SERIOUS PRODUCTIVITY

FORCE TO BE RECKONED WITH.

Big tasks demand serious equipment. Combining substantial power with smooth, low-effort control, John Deere E300 LC, E380 LC, Excavators provide the exceptional performance and fast work cycles you need to get the job done. Four power modes and three work modes deliver the right power and response for the work at hand, for maximum productivity and strong digging force. Auto pressure-boost provides extra hydraulic power when needed, while additional auxiliary hydraulic capability and expanded bucket options offer the best tool for the task.



***AUTO PRESSURE-
BOOST DELIVERS***

***MORE
MUSCLE***



Add to your bucket list

For optimal bucket-fill performance and material retention, choose the right tool for the job. A wide selection of custom-profile buckets with different taper angles, capacities, and widths can be tailored to your particular application.

Go with the flow

Need more hydraulic flow to power a hammer or other attachment? Auxiliary hydraulic system smoothly optimizes flow control and multi-function capabilities. On the E300 LC, and E380 LC, an Auxiliary Merge option provides increased hydraulic flow for operating larger hammers.

Winning combination

Highly dependable John Deere PowerTech Plus engine with variable-geometry turbocharger (VGT) delivers outstanding fuel efficiency, so you can move more material on less fuel. Full integration with Deere's Intelligent Hydraulic (JD-IHC) system combines impressive performance with smooth, low-effort control.

Stay on schedule

Generous flow, arm force, and swing torque help keep things moving. 90/180-degree function (not available on the E300 LC) speeds repetitive boom-and-swing motion for faster truck loading.

Match the machine to the work

Four power modes (Low, Economy, Standard, and High) equalize productivity and fuel economy to the workload. Three work modes — Lift, Dig, and Hammer/Bidirectional Auxiliary — let an operator choose the proper hydraulic response for specific applications and attachments.

Dig in

When the job requires extra effort, auto pressure-boost senses the workload and delivers the additional force you need.

DAYLONG COMFORT

ALL THE RIGHT TOUCHES.

Boasting new eye-catching automotive-quality styling, the quiet, spacious operator station is designed with convenience in mind. New seven-inch touch-screen monitor provides quick access to machine features and functions. Ergonomically placed controls, automatic temperature control (ATC) system, and ample storage also help operators stay comfortable and productive all day.



7" TOUCH-SCREEN MONITOR

At home in the cab

ATC system helps keep the glass clear and the cab comfortable.

Work in style

New automotive-quality styling is as appealing as it is ergonomic, putting efficient productivity within easy reach. Foot pedals, travel levers, and joysticks have been optimally repositioned for simple, intuitive operation.

Ample storage

Large storage area allows the operator to comfortably recline the seat and still have a place for a cooler or other personal items.

Touch and go

Easy-to-read touch-screen monitor provides quick access to a wealth of machine data and functions. Simply tap the screen to activate keyless start, select work mode, change machine settings, access operating info, or check advanced onboard diagnostics. And go to work.

Smooth control

Short-throw low-effort pilot levers are smooth and predictable, delivering precise, quick response when grading or leveling. Smooth multifunction operation helps improve productivity with minimal exertion while loading trucks.

Seeing is believing

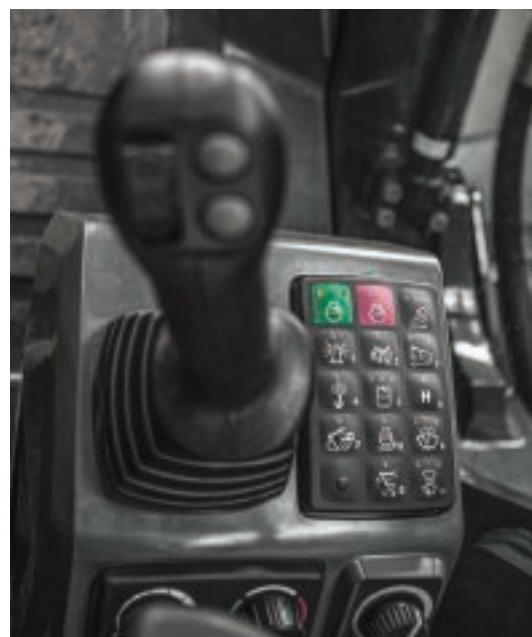
Two-piece front windshield provides clear visibility to the work at hand and can be opened to improve airflow.

Settle in

Mechanical-suspension seat with wide, padded armrests is fully adjustable to accommodate a variety of operators. Air-suspension seat is optional.

Sealed-switch module

Sealed touch pad keeps out dust, moisture, and debris. Eliminating traditional rocker switches means no unsealed connections and moving parts, for more durability.



A large yellow and black tracked excavator is shown from a low-angle perspective, focusing on the operator's cab and the hydraulic arms. The machine is positioned on a construction site with a clear blue sky and some clouds in the background. The text "ENJOY THE RIDE." is overlaid in a large, white, italicized font in the upper right quadrant of the image.

*ENJOY
THE RIDE.*

HIT THE GROUND RUNNING

SIMPLE SERVICE.

Keep free from debris

Highly efficient hydraulic-driven fan runs only as needed, reducing noise and fuel consumption. Standard hydraulically controlled reversing fan can be set to designated intervals or activated manually as needed to back-blow cooler cores for cleaning.*

*Electronically controlled variable-speed suction-type cooling fan is not reversible.

Cost saver

Auto-idle automatically reduces engine speed when hydraulics aren't in use, saving precious fuel. Automatic turbo cool-down extends idle time before shutdown, conserving additional fuel while maximizing component life.

Durable diesels

Reliable John Deere PowerTech Plus diesel engines feature replaceable wet-sleeve cylinder liners that resist wear and dissipate heat more evenly, for longer life.

Clean and clear

Isolated side-by-side cooler cores maximize cooling efficiency and enable easy cleaning. Optional trash screen that blocks dust, leaves, and other debris from entering the system is also simple to maintain. Air-conditioner condenser swings out for wide-open access to coolers.

JDLINK machine monitoring

JDLINK telematics provides real-time utilization data and alerts to help you maximize productivity and efficiency while minimizing downtime. Remote diagnostics enable your dealer to monitor your machine's health and react quickly to alerts, often before you even know there is a problem.

Maintenance made easy

Grouped service points make it easy to swiftly perform daily checks and lubrication. Periodic maintenance is convenient, with ground-level access to quick-change remote-mounted filters. Extended 500- and 4,000-hour engine and hydraulic oil-service intervals decrease downtime for routine maintenance.







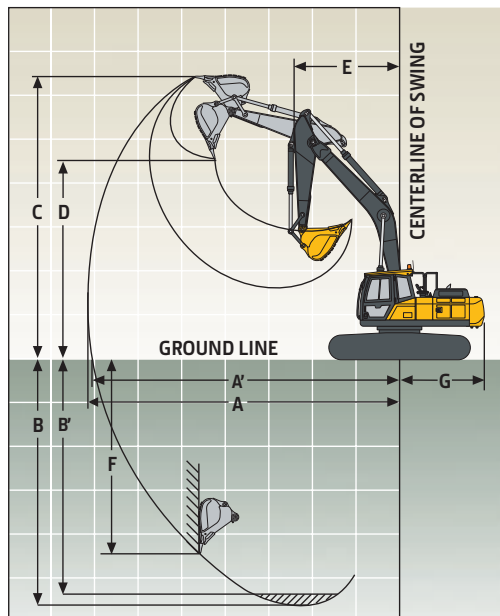
E300 LC SPECIFICATIONS

Engine		E300 LC	
Manufacturer and Model	John Deere PowerTech Plus 6068	John Deere PowerTech 6068	
Non-Road Emission Standard	China Stage 3 / EPA Tier 3/EU Stage IIIA	R96 Stage II	
Gross Rated Power (SAE J1995 and ISO 3046)	160 kW at 2,000 rpm	160 kW at 2,000 rpm	
Maximum Gross Torque (SAE J1995 and ISO 3046)	1033 Nm at 1,400 rpm	1033 Nm at 1,400 rpm	
Cylinders	6	6	
Piston Displacement	6.8 L	6.8 L	
Cooling		Cool-on-demand electronically controlled variable-speed suction-type cooling fan as standard	
Hydraulics			
Designed for high digging capacity, productivity, and operating precision, and excellent fuel economy; summation system, boom and swing priority, and boom and arm regeneration provide optimum performance			
Main Pump	Tandem variable-displacement, electrohydraulic (EH)-controlled axial-piston pumps		
Maximum Discharge Flow	2 x 260 L/m (2 x 130 cc/rev at 100% efficiency)		
Pilot Pump	Gear pump		
Maximum Discharge Flow	1 x 20 L/m (1 x 10 cc/rev at 100% efficiency)		
Low-Flow Auxiliary Pump	Gear pump		
Maximum Discharge Flow	1 x 44 L/m (1 x 22 cc/rev at 100% efficiency)		
System Operating Pressure			
Circuits			
Implement	34.3 MPa		
Travel	36.4 MPa		
Swing	29.3 MPa		
Pilot	3.9 MPa		
Auxiliary	Preset to 21.0 MPa 1-way mode / 34.3 MPa 2-way mode		
Low-Flow Auxiliary	Preset to 25.0 MPa		
Pressure Boost	36.4 MPa		
Travel System			
Travel Motor	2 speed axial-piston motor with spring-applied hydraulic-release brake		
Maximum Drawbar Pull	273 kN		
Travel Speeds			
High	5.4 km/h		
Low	3.1 km/h		
Cylinders			
	<i>Bore Diameter</i>	<i>Rod Diameter</i>	<i>Stroke</i>
Boom (2)	140 mm	100 mm	1484 mm
Arm (1)	150 mm	110 mm	1785 mm
Bucket (1)	135 mm	100 mm	1270 mm
Swing System			
Swing Motor	Axial-piston motor with spring-applied, hydraulic-release brake		
Swing Speed	9.5 rpm		
Swing Torque	92 kNm		
Undercarriage			
Includes lubricated rollers, idlers, and track adjusters (with shock-absorbing spring), and greased and sealed track chain with triple-grouser shoes			
Center Frame	X-leg type		
Track Frame	Pentagonal box type		
Shoes (each side)	48		
Rollers (each side)			
Carrier	2		
Track	9		
Track Guides (each side)	3		
Shoe Width, Triple Grousers			
Standard	600 mm		
Optional	800 mm		

E300 LC SPECIFICATIONS



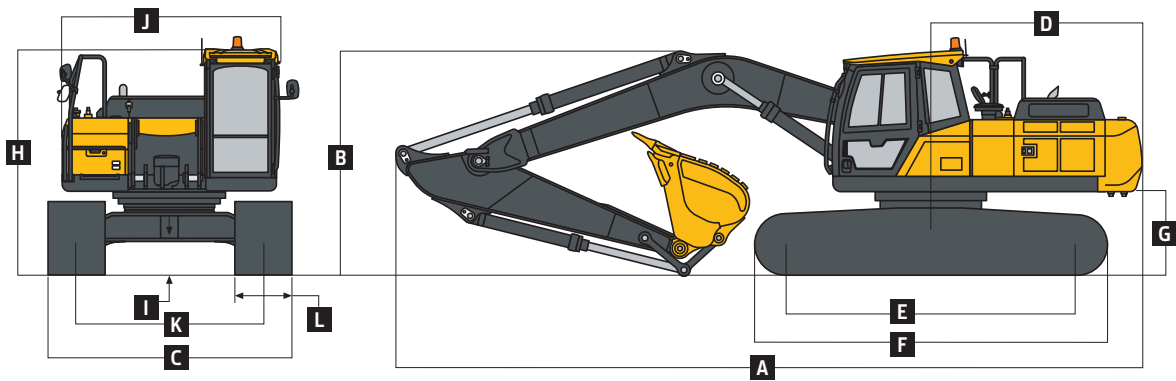
Weights and Ground Pressure	300 LC	
	<i>Heavy-Duty (HD) Machine with General-Purpose (GP) Bucket</i>	
	<i>With 6.2-m HD Boom and 3.1-m HD Arm</i>	
Bucket	1.6-m ³ General Purpose (GP)	
Triple-Grouser Shoe Width	600 mm	800 mm
Operating Weight	32 100 kg	33 100 kg
Ground Pressure	60.2 kPa	46.6 kPa
Counterweight	6000 kg	
Electrical System		
Number of Batteries (24-volt system)	2 – 12 volt	
Capacity		
Battery	950 CCA	
Reserve	165 min.	
Alternator Rating	80 amp	
Serviceability		
Refill Capacities (standard fill)		
Fuel Tank	600 L	
Engine Coolant	32 L	
Engine Oil	22 L	
Swing Mechanism	10.5 L	
Travel Final Drive (each side)	5.4 L	
Hydraulic System	395 L	
Hydraulic Tank	170 L	
Operating Dimensions		
	<i>With 6.2-m HD Boom and 3.1-m HD Arm</i>	
Tool Force		
Bucket (boost)	212 kN	
Arm (boost)	150 kN	
A Maximum Reach	10 830 mm	
A' Maximum Reach at Ground Level	10 630 mm	
B Maximum Digging Depth	7300 mm	
B' Maximum Digging Depth at 2.44-m Level Bottom	7110 mm	
C Maximum Cutting Height	10 100 mm	
D Maximum Loading Height	6790 mm	
E Minimum Slew Radius	4210 mm	
F Maximum Vertical Wall Digging Depth	4820 mm	
G Tail-Swing Radius	3100 mm	



While general information, pictures, and descriptions are provided, some illustrations and text may include product options and accessories NOT AVAILABLE in all regions, and in some countries products and accessories may require modifications or additions to ensure compliance with the local regulations of those countries.

E300 LC

Overall Dimensions		E300 LC
<i>With 6.2-m HD Boom and 3.1-m HD Arm</i>		
A	Overall Length	10 530 mm
B	Overall Height (to top of boom)	3370 mm
C	Overall Width (over tracks)	3200 mm
D	Tail Length	2980 mm
D ¹	Tail-Swing Radius	3100 mm
E	Tumbler Distance	4030 mm
F	Overall Length of Crawler	4950 mm
G	Counterweight Clearance	1170 mm
H	Overall Height (to top of cab)	3180 mm
I	Ground Clearance	480 mm
J	Overall Width of Upperstructure	2990 mm
K	Track Gauge	2600 mm
L	Shoe Width	600 mm



E300 LC Heavy-Duty (HD) Machine Lift Capacities

Boldface type indicates stability-limited capacity; lightface type indicates hydraulically limited capacities, in kg. Lifting capacity at the arm end without bucket; machine equipped with 6.2-m HD boom, 3.1-m HD arm, no bucket, 600-mm triple-grouser shoes, long carriage, and 6000-kg counterweight; and situated on firm, uniform supporting surface. Total load includes weight of cables, hook, etc. Figures do not exceed 87 percent of hydraulic capacities or 75 percent of weight needed to tip machine. All capacities are based on ISO 10567.

LOAD POINT HEIGHT	HORIZONTAL DISTANCE FROM CENTERLINE OF ROTATION												Maximun Reach		Value (m)	
	1.5 m		3.0 m		4.5 m		6.0 m		7.5 m		9.0 m		Over Front	Over Side		
7.5 m														6150	5790	7.20
6.0 m										8150	5430			5950	4700	8.15
4.5 m							9950	7480	8270	5310			6000	4140	8.73	
3.0 m					15 120	10 650	11 230	7080	8090	5120	6110	3870	6080	3850	9.03	
1.5 m					17 050	10 040	11 110	6750	7930	4650	6060	3170	6000	3770	9.06	
Ground Line					17 450	9910	10 980	6580	7850	4850			6210	3890	8.84	
-1.5 m			12 390	12 390	16 640	10 100	11 070	6590	7900	4860			6820	4250	8.34	
-3.0 m	14 450	14 450	19 390	19 390	14 740	10 510	11 290	6790	8130	5040			8130	5040	7.50	
-4.5 m			14 270	14 270	11 290	11 160	8300	7230					7840	6930	6.20	

E300 LC Heavy-Duty (HD) Machine Lift Capacities

Boldface type indicates stability-limited capacity; lightface type indicates hydraulically limited capacities, in kg. Lifting capacity at the arm end without bucket; machine equipped with 6.2-m HD boom, 3.1-m HD arm, no bucket, 800-mm triple-grouser shoes, long carriage, and 6000-kg counterweight; and situated on firm, uniform supporting surface. Total load includes weight of cables, hook, etc. Figures do not exceed 87 percent of hydraulic capacities or 75 percent of weight needed to tip machine. All capacities are based on ISO 10567.

LOAD POINT HEIGHT	HORIZONTAL DISTANCE FROM CENTERLINE OF ROTATION												Maximun Reach		Value (m)	
	1.5 m		3.0 m		4.5 m		6.0 m		7.5 m		9.0 m					
	Over Front	Over Side	Over Front	Over Side	Over Front	Over Side	Over Front	Over Side	Over Front	Over Side	Over Front	Over Side	Over Front	Over Side		
7.5 m														6150	5960	7.20
6.0 m									8150	5600				5950	4850	8.15
4.5 m							9950	7700	8540	5480				6000	4280	8.73
3.0 m					15 120	10 990	11 230	7310	8370	5290	6320	4010		6250	3990	9.03
1.5 m					17 050	10 380	11 500	6980	8210	5120	6280	3950		6220	3910	9.06
Ground Line					17 450	10 260	11 370	6810	8130	5020				6440	4030	8.84
-1.5 m			12 390	12 390	16 640	10 450	11 460	6830	8180	5040				7060	4400	8.34
-3.0 m	14 450	14 450	19 390	19 390	14 740	10 860	11 290	7030	8400	5220				8400	5220	7.50
-4.5 m			14 270	14 270	11 290	11 290	8300	7470						7840	7160	6.20

E300 LC Bucket Selection Guide

Counterweight	6.0 mt
Boom	6.2-m HD
Arm	3.1-m HD

	Width*	Capacity	Weight**	
Pin-On (no quick-coupler)				
General Purpose (GP)	1550 mm	1.6 m ³	1380 kg	B
	1350 mm	1.45 m ³	1481 kg	A
Heavy Duty (HD)	1450 mm	1.6 m ³	1535 kg	B

*Cutting-edge width.

**Includes standard teeth, side accessories, and pins.

Contact your John Deere dealer for optimum bucket and attachment selections. These recommendations are for general conditions and average use. Does not include optional equipment such as thumbs or couplers. Larger buckets may be possible when using light materials, for flat and level operations, less compacted materials, and volume-loading applications such as mass-excavation applications in ideal conditions. Smaller buckets are recommended for adverse conditions such as off-level applications, rocks, and uneven surfaces. Bucket capacity indicated is SAE heaped.

Maximum Material Density

A = 2100 kg/m³

B = 1800 kg/m³

C = 1700 kg/m³

D = 1500 kg/m³

E = 1200 kg/m³

X = Not recommended

General-Purpose Buckets (GP):

General-Purpose buckets are provided as standard equipment and engineered to meet or exceed customer expectations in light-duty applications. These buckets are designed to dig and excavate soft to medium materials such as earth loam, sand, and fine gravel.

Heavy-Duty Buckets (HD):

Heavy-Duty buckets are provided as optional equipment and engineered to meet or exceed customer expectations in moderate-duty or mixed applications. These buckets are designed to dig and excavate in dry or wet clay, compacted soils, and well-blasted rock applications.



E380 LC SPECIFICATIONS

Engine		E380 LC	
Manufacturer and Model	John Deere PowerTech Plus 6090	John Deere PowerTech 6090	
Non-Road Emission Standard	China Stage 3 / EPA Tier 3/EU Stage IIIA	R96 Stage II	
Gross Rated Power (SAE J1995 and ISO 3046)	233 kW at 1,900 rpm	233 kW at 1,900 rpm	
Gross Peak Power	239 kW at 1,700 rpm	239 kW at 1,700 rpm	
Maximum Gross Torque (SAE J1995 and ISO 3046)	1444 Nm at 1,400 rpm	1400 Nm at 1,400 rpm	
Cylinders	6	6	
Piston Displacement	9.0 L	9.0 L	
Off-Level Capacity	70% (35 deg.)	70% (35 deg.)	
Cooling		Cool-on-demand hydraulic-driven, suction-type fan with remote-mounted drive and reversing fan standard	
Hydraulics		Designed for high digging capacity, productivity, and operating precision, and excellent fuel economy; summation system, boom and swing priority, and boom and arm regeneration provide optimum performance	
Main Pump	Tandem variable-displacement, electrohydraulic (EH)-controlled axial-piston pumps		
Maximum Discharge Flow	2 x 304 L/m (2 x 160 cc/rev at 100% efficiency)		
Pilot Pump	Gear pump		
Maximum Discharge Flow	1 x 28.5 L/m (1 x 15 cc/rev at 100% efficiency)		
Low-Flow Auxiliary Pump	Gear pump		
Maximum Discharge Flow	1 x 42 L/m (1 x 22 cc/rev at 100% efficiency)		
System Operating Pressure			
Circuits			
Implement	34.3 MPa		
Travel	36.4 MPa		
Swing	28.9 MPa		
Pilot	3.9 MPa		
Auxiliary	Preset to 21.0 MPa hammer mode / 34.3 MPa 2-way mode		
Low-Flow Auxiliary	Preset to 25.0 MPa		
Pressure Boost	36.4 MPa		
Controls	Hydraulic pilot controls with hydraulic-enable lever		
Fan System			
Pump Type	Variable-displacement, EH-controlled axial piston		
Maximum Discharge Flow	90 L/min		
System Operating Pressure	25.0 MPa		
Motor Type	Gear motor with integrated relief and reversing valves		
Maximum Operating Speed	1,750 rpm		
Travel System			
Drive Method	Fully hydrostatic type		
Travel Motor	2 speed axial-piston motor with spring-applied hydraulic-release brake		
Reduction System	Planetary gear reduction		
Maximum Drawbar Pull	336 kN		
Travel Speeds			
High	5.2 km/h		
Low	2.9 km/h		
Parking Brake	Wet, multi disc		
Cylinders			
	<i>Bore Diameter</i>	<i>Rod Diameter</i>	<i>Stroke</i>
Boom (2)	150 mm	105 mm	1484 mm
Arm (1)	170 mm	120 mm	1715 mm
Bucket (1)	150 mm	100 mm	1270 mm
Swing System			
Swing Motor	Axial-piston motor with spring-applied, hydraulic-release brake		
Swing Reduction	Planetary gear reduction		
Swing Gear Lubrication	Grease bath		
Swing Brake	Wet, multi disc		
Swing Speed	9.4 rpm		
Swing Torque	118 kNm		

While general information, pictures, and descriptions are provided, some illustrations and text may include product options and accessories NOT AVAILABLE in all regions, and in some countries products and accessories may require modifications or additions to ensure compliance with the local regulations of those countries.

E380 LC SPECIFICATIONS



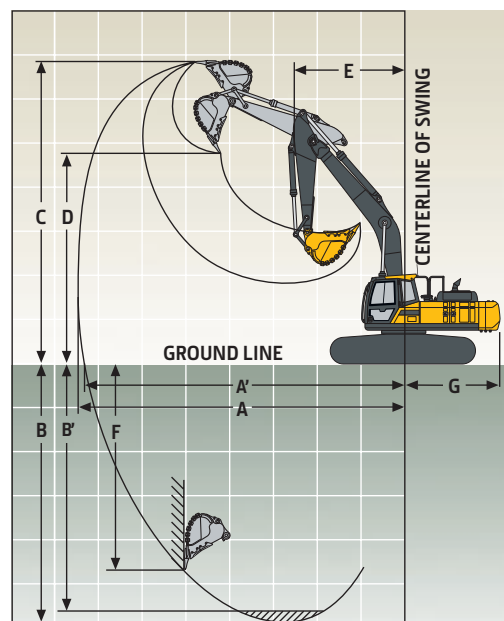
Undercarriage	E380 LC
Includes lubricated rollers, idlers, track adjusters (with shock-absorbing spring), and greased and sealed track chain with triple-grouser shoes	
Center Frame	X-leg type
Track Frame	Pentagonal box type
Shoes (each side)	50
Rollers (each side)	
Carrier	2
Track	9
Track Guides (each side)	3
Shoe Width, Triple Grousers	
Standard	600 mm
Option 1	600-mm double grouser
Option 2	800 mm

Weights and Ground Pressure	General-Duty (GD) Machine		Heavy-Duty (HD) Machine		Quarry Machine
	With 6.45-m Boom and 3.2-m Arm		With 6.45-m HD Boom and 3.2-m HD Arm		With 6.45-m HD Boom and 2.8-m HD Arm
Bucket	2.0-m ³ General Purpose (GP)		2.0-m ³ HD		2.0-m ³ severe duty (SD)
Triple-Grouser Shoe Width	600 mm	800 mm	600 mm	800 mm	600 mm
Operating Weight	38 200 kg	39 100 kg	39 200 kg	40 100 kg	39 500 kg
Ground Pressure	68.4 kPa	52.5 kPa	70.2 kPa	53.9 kPa	70.4 kPa
Standard Counterweight	7540 kg		7540 kg		7540 kg

Electrical System	
Number of Batteries (24-volt system)	2 – 12 volt
Battery Capacity	950 CCA
Reserve Capacity	165 min.
Alternator Rating	100 amp

Serviceability	
Refill Capacities (standard fill)	
Fuel Tank	600 L
Engine Coolant	33 L
Engine Oil	30 L
Swing Mechanism	14 L
Travel Final Drive (each side)	6.3 L
Hydraulic System	466 L
Hydraulic Tank	232 L

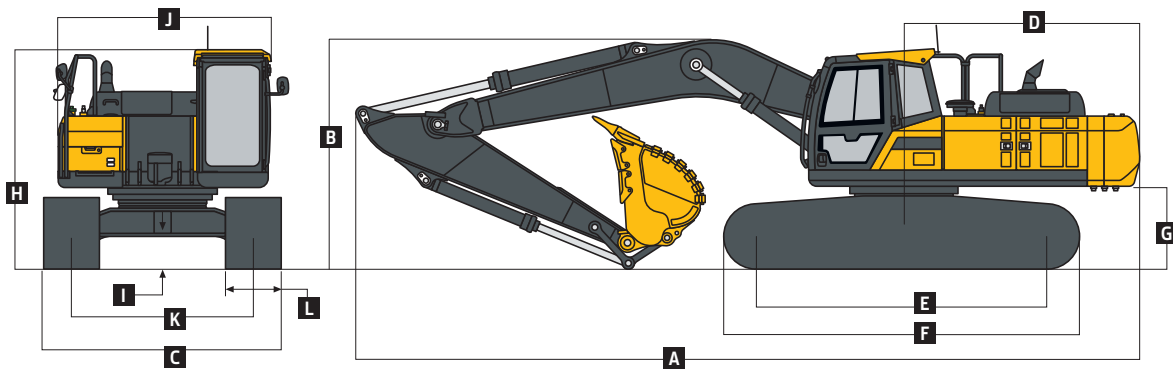
Operating Dimensions	With 6.45-m Boom and 3.2-m Arm	With 6.45-m Boom and 2.8-m Arm
Tool Force		
Bucket	243 kN	243 kN
Arm	186 kN	203 kN
A Maximum Reach	11 250 mm	11 040 mm
A' Maximum Reach at Ground Level	10 990 mm	10 770 mm
B Maximum Digging Depth	7660 mm	7260 mm
B' Maximum Digging Depth at 2.44-m Level Bottom	7480 mm	7090 mm
C Maximum Cutting Height	10 490 mm	10 740 mm
D Maximum Loading Height	7130 mm	7250 mm
E Minimum Slew Radius	4370 mm	4480 mm
F Maximum Vertical Wall Digging Depth	6480 mm	6470 mm
G Tail-Swing Radius	3500 mm	3500 mm



While general information, pictures, and descriptions are provided, some illustrations and text may include product options and accessories NOT AVAILABLE in all regions, and in some countries products and accessories may require modifications or additions to ensure compliance with the local regulations of those countries.

E380 LC

Overall Dimensions	E380 LC	
	With 6.45-m Boom and 3.2-m Arm	With 6.45-m Boom and 2.8-m Arm
A Overall Length	11 250 mm	11 250 mm
B Overall Height (to top of boom)	3510 mm	3560 mm
C Overall Width (over tracks)	3200 mm	3200 mm
D Tail Length	3420 mm	3420 mm
D ^l Tail-Swing Radius	3500 mm	3500 mm
E Tumbler Distance	4230 mm	4230 mm
F Overall Length of Crawler	5180 mm	5180 mm
G Counterweight Clearance	1170 mm	1170 mm
H Overall Height (to top of cab)	3180 mm	3180 mm
I Ground Clearance	470 mm	470 mm
J Overall Width of Upperstructure	2990 mm	2990 mm
K Track Gauge	2600 mm	2600 mm
L Shoe Width	600 mm	600 mm



E380 LC Heavy-Duty Machine Lift Capacities

Boldface type indicates stability-limited capacity; lightface type indicates hydraulically limited capacities, in kg. Lifting capacity at the arm end without bucket; machine equipped with 6.45-m HD boom, 3.2-m HD arm, no bucket, 600-mm triple-grouser shoes, long carriage, and 7540-kg counterweight; and situated on firm, uniform supporting surface. Total load includes weight of cables, hook, etc. Figures do not exceed 87 percent of hydraulic capacities or 75 percent of weight needed to tip machine. All capacities are based on ISO 10567.

LOAD POINT HEIGHT	HORIZONTAL DISTANCE FROM CENTERLINE OF ROTATION												Maximun Reach		Value (m)
	1.5 m		3.0 m		4.5 m		6.0 m		7.5 m		9.0 m				
	Over Front	Over Side	Over Front	Over Side	Over Front	Over Side	Over Front	Over Side	Over Front	Over Side	Over Front	Over Side	Over Front	Over Side	
7.5 m									9170	7170			9170	6950	7.63
6.0 m									9240	7160			8930	5780	8.52
4.5 m					14 300	14 300	11 360	9740	9790	6980	8520	5240	8390	5160	9.08
3.0 m					17 450	13 800	12 820	9250	10 510	6740	8450	5150	7950	4840	9.36
1.5 m					18 710	13 100	14 000	8850	10 950	6530	8370	5060	7860	4760	9.40
Ground Line					19 180	13 000	14 510	8650	10 850	6400	8360	5020	8130	4890	9.18
-1.5 m			11 750	11 750	18 740	13 260	14 190	8670	10 910	6400			8850	5300	8.70
-3.0 m	14 920	14 920	20 620	20 620	16 670	13 760	12 900	8900	9910	6580			9070	6170	7.91
-4.5 m			16 310	16 310	13 110	13 110	10 060	9360					8520	8110	6.68

E380 LC Heavy-Duty Machine Lift Capacities

Boldface type indicates stability-limited capacity; lightface type indicates hydraulically limited capacities, in kg. Lifting capacity at the arm end without bucket; machine equipped with 6.45-m HD boom, 2.8-m HD arm, no bucket, 600-mm triple-grouser shoes, long carriage, and 7540-kg counterweight; and situated on firm, uniform supporting surface. Total load includes weight of cables, hook, etc. Figures do not exceed 87 percent of hydraulic capacities or 75 percent of weight needed to tip machine. All capacities are based on ISO 10567.

LOAD POINT HEIGHT	HORIZONTAL DISTANCE FROM CENTERLINE OF ROTATION												Maximun Reach		Value (m)
	1.5 m		3.0 m		4.5 m		6.0 m		7.5 m		9.0 m		Over Front	Over Side	
	Over Front	Over Side	Over Front	Over Side	Over Front	Over Side	Over Front	Over Side	Over Front	Over Side	Over Front	Over Side			
7.5 m													9840	7260	7.36
6.0 m							10 690	10 000	9690	7080			9470	5990	8.29
4.5 m							11 870	9610	10 160	6930			8680	5340	8.86
3.0 m							13 250	9150	10 810	6710	8440	5140	8220	5020	9.15
1.5 m							14 280	8800	10 930	6520	8390	5080	8150	4940	9.18
Ground Line					14 620	13 050	14 580	8660	10 870	6420			8460	5100	8.97
-1.5 m					18 220	13 390	14 020	8740	10 970	6470			9190	5570	8.47
-3.0 m			19 490	19 490	15 830	13 930	12 400	9010	9250	6720			8850	6570	7.65
-4.5 m			13 940	13 940	11 770	11 770	8820	8820					7780	7780	6.38

E380 LC Bucket Selection Guide

Pin-On (no quick-coupler)	Width*	Capacity	Weight**	7.54 mt		
				6.45-m STD	6.45-m HD	6.45-m HD
				3.2-m STD		
				3.2-m HD		
				2.8-m HD		
Counterweight						
Boom				6.45-m STD	6.45-m HD	6.45-m HD
Arm				3.2-m STD	3.2-m HD	2.8-m HD
General Purpose (GP)	1470 mm	1.6 m ³	1407 kg	A	A	A
	1750 mm	2.0 m ³	1547 kg	A	B	A
	1390 mm	1.6 m ³	1711 kg	A	A	A
Heavy Duty (HD)	1520 mm	1.8 m ³	1945 kg	A	A	A
	1650 mm	2.0 m ³	2031 kg	B	B	B
	1705 mm	2.2 m ³	2349 kg	D	D	C
Severe Duty (SD)	1370 mm	1.6 m ³	2016 kg	—	A	A
	1500 mm	1.8 m ³	2168 kg	—	B	A
	1625 mm	2.0 m ³	2315 kg	—	B	B

*Cutting-edge width.

**Includes standard teeth, side accessories, and pins.

Contact your John Deere dealer for optimum bucket and attachment selections. These recommendations are for general conditions and average use. Does not include optional equipment such as thumbs or couplers. Larger buckets may be possible when using light materials, for flat and level operations, less compacted materials, and volume-loading applications such as mass-excavation applications in ideal conditions. Smaller buckets are recommended for adverse conditions such as off-level applications, rocks, and uneven surfaces. Bucket capacity indicated is SAE heaped.

Maximum Material Density

A = 2100 kg/m³

B = 1800 kg/m³

C = 1700 kg/m³

D = 1500 kg/m³

E = 1200 kg/m³

X = Not recommended

General-Purpose Buckets (GP):

General-Purpose buckets are provided as standard equipment and engineered to meet or exceed customer expectations in light-duty applications. These buckets are designed to dig and excavate soft to medium materials such as earth loam, sand, and fine gravel.

Heavy-Duty Buckets (HD):

Heavy-Duty buckets are provided as optional equipment and engineered to meet or exceed customer expectations in moderate-duty or mixed applications. These buckets are designed to dig and excavate in dry or wet clay, compacted soils, and well-blasted rock applications.

Severe-Duty Buckets (SD):

Severe-Duty buckets are provided as optional equipment and engineered to meet or exceed customer expectations in severe applications. These buckets are designed to dig and excavate in shot rocks, prying and tearing, caliche, and highly compacted materials. They feature additional abrasion-resistance protection.

Additional equipment

Key: ● Standard ▲ Optional or special

See your John Deere dealer for further information.

E300	E380	Engine
●	●	Programmable auto-idle system
●	●	Automatic belt-tension device
●	●	Pressurized coolant reservoir
●	●	3-stage, dual-element, dry-type air filter with integral precleaner
▲	▲	Additional air-intake precleaner
●	●	Electronic engine control
●	●	Enclosed cooling fan
●	●	Side-by-side arrangement of coolers
●	●	Swing-out air-conditioning condenser and fuel cooler
▲	▲	Separate removable trash screen
●	●	Engine coolant to -40 deg. C
●	●	Turbo cool-down mode
●	●	Remote-mounted dual fuel filters with water separator and drain
●	●	Remote-mounted severe-duty fuel filter with water separator and drain
●	●	Fuel system shutoff for filters
●	●	Remote fuel-tank drain
▲	▲	Fuel filter heater
▲	▲	Onboard refueling pump (50 L/m) with auto shutoff and run-dry prevention
●	●	Remote-mounted full-flow engine oil filter
●	●	500-hour engine-oil-change interval
●	●	Turbocharger with charge-air cooler
●	●	Remote mounted cool-on-demand hydraulically driven, suction-type cooling fan with reversing blow-out
●	●	Cool-on-demand electronically controlled variable-speed suction-type cooling fan
●	●	70% (35 deg.) off-level capability
●	●	Glow-plug cold-start aid
●	●	Lockable fuel cap provision
●	●	Fuel overflow indicator in filler neck
●	●	Fuel tank cleanout access cover
●	●	Ultra-low-sulfur-compatible fuel system
Hydraulic System		
●	●	Electrohydraulic-controlled hydraulic pump
●	●	Thermostatic hydraulic warm-up control
●	●	Auto pressure-boost
●	●	Constant pressure boost in lift mode
●	●	4,000-hour hydraulic-oil-change interval
●	●	Hydraulic filter-restriction indicator
●	●	Reduced-drift valve for boom down
●	●	Reduced-drift valve for arm in
●	●	Auxiliary hydraulic valve section
▲	▲	Auxiliary pilot and electric controls
▲	▲	Auxiliary hydraulic-flow adjustments through monitor
▲	▲	Hammer merge-flow capability
▲	▲	Proportional low-flow auxiliary
●	●	Boom- and arm-flow regeneration
●	●	Swing anti-rebound valves
●	●	Spring-applied, hydraulically released automatic swing brake
Undercarriage		
●	●	Planetary drive with axial-piston motors
●	●	Propel motor shields
●	●	Spring-applied, hydraulically released automatic parking brake
●	●	Track guides, front idler and 3 additional
●	●	Track guides, front idler and 2 additional

E300	E380	Undercarriage (continued)
▲	▲	Full-length rock guard
●	●	2-speed propel with automatic shift
●	●	Upper carrier rollers (2)
●	●	Heavy-duty (HD) upper carrier rollers (2)
●	●	Inverted HD carrier track rollers (2)
●	●	Track rollers (9)
●	●	Track rollers (7)
●	●	HD track rollers (9)
●	●	Sealed and lubricated track chain
●	●	HD sealed and lubricated track chain
▲	▲	Triple-grouser shoes, 600 mm
▲	▲	Triple-grouser shoes, 800 mm
●	▲	HD triple-grouser shoes, 600 mm
●	▲	HD triple-grouser shoes, 800 mm
▲	▲	HD double-grouser shoes, 600 mm
▲	▲	General-duty (GD) undercarriage frame guard
▲	▲	HD undercarriage frame guard
Upper Structure		
●	●	Right- and left-hand mirrors
▲	▲	Rearview camera
●	●	Integrated anti-skid plates on upper platform and steps
●	●	Vandal locks with common key: Cab door / Service doors / Toolbox
●	●	Air-intake debris screen in side doors
●	▲	Integrated side-impact beams
Operator's Station		
●	●	Auto climate control and pressurized cab
●	●	Built-in operator's manual storage
●	●	Easy-clean floor mat
●	●	Front upper laminated glass with easy stowage into roof space
●	●	Sliding openable upper door glass
●	●	Front (park-off-glass) windshield wiper with intermittent speeds and washer
▲	▲	Lower windshield wiper with intermittent speeds and washer
●	●	Horn
●	●	Hydraulic shutoff lever, all controls
●	●	Interior light
●	●	Sealed-switch module (SSM) with keyless start
●	●	Machine Information Center (MIC)
●	●	Mode selector: Power modes (3 via throttle) + High Power mode in all speeds / Travel speeds (2 with auto shift) / Work modes (3)
●	●	Multifunction, 7-in. color touchscreen with: Advanced machine diagnostics with multi-language capability, theft-deterrent system, maintenance tracking, digital display, alarm indicator, alternator, low charge, auto-idle, auxiliary hydraulics, clock, engine air-cleaner restriction, engine coolant temperature, engine oil pressure, engine preheat, engine rpm, fault-code alert, fuel level, fuel-rate display, water in fuel, hourmeter, work-mode indicator, travel alarm (option), travel-mode indicator, hydraulic oil-filter restriction, hydraulic oil temperature, pressure boost, seat-belt warning, telematics, camera (option), and HVAC status
▲	▲	Travel alarm with cancel switch
▲	▲	Auxiliary hydraulic control switches in right and left control levers

E300	E380	Operator's Station (continued)
▲	▲	Rear camera toggle switch in left control lever
●	●	Tinted glass
▲	▲	Transparent tinted overhead hatch
●	●	Steel overhead hatch
●	●	Rollover Protection Structure (ROPS)-certified cab (conforms to ISO 12117-2)
●	●	Safety bars on right-hand glass
▲	▲	Falling Object Protection Structure (FOPS level-III)-certified guards, top and front
▲	▲	Front lower window guard
▲	▲	Front window sunshade
▲	▲	Hatch sunshade
●	●	Coat hook
●	●	Fire extinguisher-mounting location
●	●	Automatic Temperature Control (ATC) system with manual override and adjustable louvers
▲	▲	Single-hammer auxiliary pedal
●	●	Standard lighting package, including 2 on boom and 1 in toolbox
▲	▲	Premium high-intensity LED lighting package including 4 additional cab-roof lights
●	●	AM/FM radio with USB input
▲	▲	Premium radio with auxiliary/USB port and Bluetooth connectivity for audio streaming
▲	▲	Rotating/strobe beacon
●	●	Storage compartment and multiple cupholders including oversized bottle holder
●	●	24-volt power port
▲	▲	12-volt power port
▲	▲	Rearview camera
●	●	Operator seat with cloth trim, 170-kg capacity mechanical suspension, and 50-mm orange retractable seat belt
▲	▲	Premium air-suspension heated seat leather trim with lumbar adjustment, 200-kg capacity, and 75-mm orange retractable seat belt
▲	▲	Front rain visor
Front Equipment		
●	●	Centralized lubrication for boom points
●	●	Dirt seals on all bucket pins
●	●	Hardened steel bushes with chrome pins
●	●	Reinforced resin thrust washers
●	●	HD boom, 6.2 m
▲	▲	GD boom, 6.45 m
●	▲	HD boom, 6.45 m
●	▲	HD arm, 3.1 m
▲	▲	GD arm, 3.2 m
▲	▲	HD arm, 3.2 m
▲	▲	HD arm, 2.8 m
▲	▲	Less boom and arm
▲	▲	Boom cylinder hose-burst valves
▲	▲	Boom and arm cylinder hose-burst valves
Electrical		
●	●	Batteries (2 - 12 volt)
●	●	100-amp alternator
●	●	Blade-type multi-fused circuits
●	●	Positive- and negative-terminal battery covers
●	●	Environmental protection full battery cover
▲	▲	JDLink wireless communication system
▲	▲	JDInsight wireless communication system



While general information, pictures, and descriptions are provided, some illustrations and text may include product options and accessories NOT AVAILABLE in all regions, and in some countries products and accessories may require modifications or additions to ensure compliance with the local regulations of those countries.