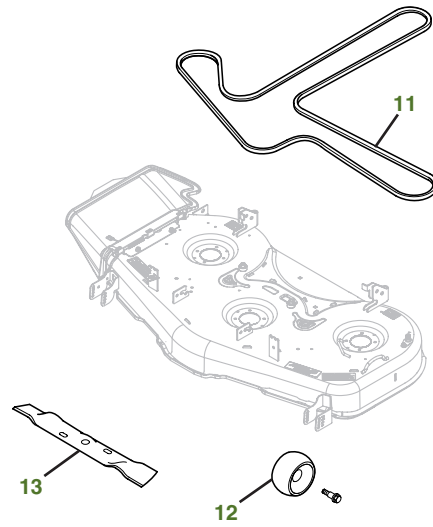
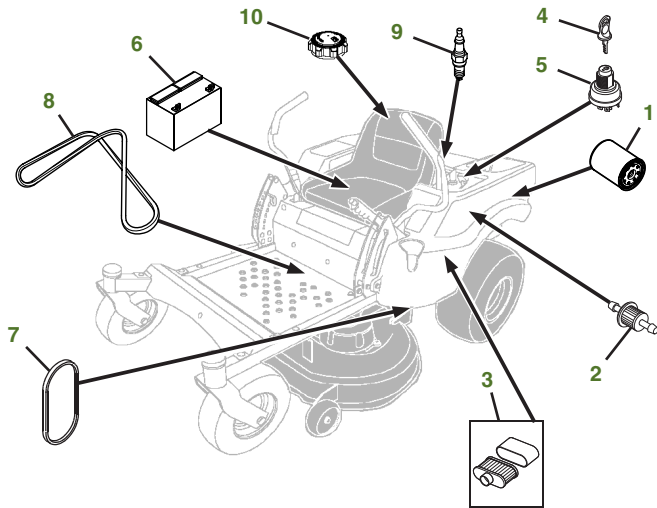


MAINTENANCE REMINDER SHEET

Z540M with 48" Accel Deep™ Deck



Tractor S/N

Deck S/N

Key	Part No.	Description	Key	Part No.	Description
1	AM125424	ENGINE OIL FILTER	8	M147044	BELT-POWER FLOW (SN - 050000)
2	AM116304	FUEL FILTER-IN-LINE		UC20041	BELT-POWER FLOW (SN 050001 -)
3	MIU12554	AIR FILTER-FOAM	9	M805853	SPARK PLUG
	MIU12555	AIR FILTER-PAPER	10	AM146138	FUEL CAP
4	AUC12681	KEY	11	GX25998	BELT-MOWER
5	TCA22740	IGNITION SWITCH (SN - 080000)	12	CX10168	GAGE WHEEL
	AUC12631	IGNITION SWITCH (SN 080001 -)	13	M145476	BLADE-SIDE DISCHARGE 48"
6	TY25878	BATTERY		M127673	BLADE-MULCHING 48"
7	M172116	BELT-DRIVE		BM24993	MULCHCONTROL™ KIT

Parts Needed in First 250 Hours of Operation

Qty	Part No	Item	Qty or Capacity	Change Interval In Hours
11	TY22029	Engine Oil Turf-Gard™ 10W30	2.1 L (2.2 qt)	50/100/150/200/250
5	AM125424	Engine Oil Filter	1	50/100/150/200/250
2	MIU12554	Air Filter-Foam	1	100/200
2	MIU12555	Air Filter-Paper	1	100/200
2	AM116304	Fuel Filter	1	100/200
4	M805853	Spark Plug	2	100/200
2	TY24416	John Deere Multi-Purpose HD Lithium Complex Grease		As Needed

"As Needed" Parts

Qty	Part No	Item
1	AM130907	Mower Deck Leveling Gauge
1	TY26518	Grease Gun

Home Maintenance Kit

Unit	Kit Number
Z540M	LG265

CLICK PART NUMBER TO BUY