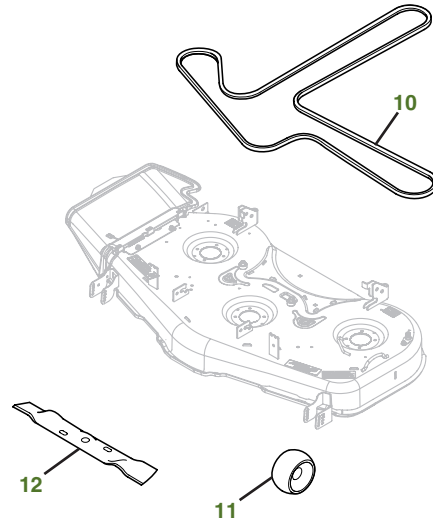
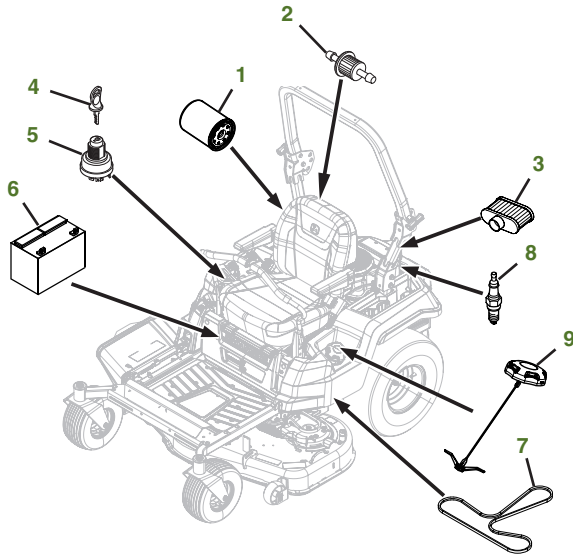


MAINTENANCE REMINDER SHEET

Z530M with 60" Accel Deep™ Deck



Tractor S/N

Deck S/N

Key	Part No.	Description	Key	Part No.	Description
1	AM125424	ENGINE OIL FILTER	8	M805853	SPARK PLUG
2	UC21217	FUEL FILTER-IN-LINE	9	AM146138	FUEL CAP
3	MIU12555	AIR FILTER-PAPER	10	M172963	BELT-MOWER
4	AUC12681	KEY	11	GX10168	GAGE WHEEL
5	AUC14659	IGNITION SWITCH	12	UC20448	BLADE-SIDE DISCHARGE 60"
6	TY25221A	BATTERY		UC28129	BLADE-MULCHING 60"
7	M172116	BELT-DRIVE	13	BUC10892	MULCHCONTROL™ KIT

Parts Needed in First 250 Hours of Operation

Qty	Part No	Item	Qty or Capacity	Change Interval In Hours
2	TY22029	Engine Oil Turf-Gard™ 10W30	2.1 L (2.2 qt)	50/100/150/200/250
1	AM125424	Engine Oil Filter	1	50/100/150/200/250
1	MIU12555	Air Filter-Paper	1	100/200
1	UC21217	Fuel Filter	1	100/200
2	M805853	Spark Plug	2	100/200
1	TY24416	John Deere Multi-Purpose HD Lithium Complex Grease		As Needed

"As Needed" Parts

Qty	Part No	Item
1	AM130907	Mower Deck Leveling Gauge
1	TY26518	Grease Gun

Home Maintenance Kit

Unit	Kit Number
Z530M	LG265

CLICK PART NUMBER TO BUY