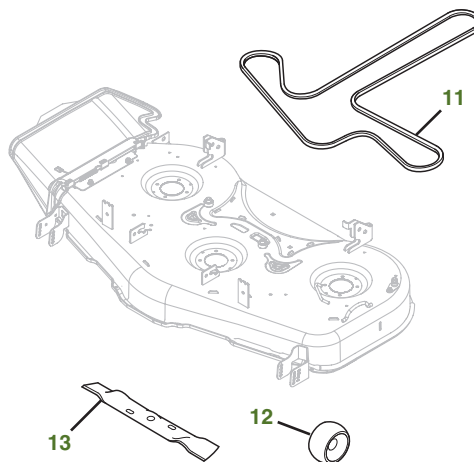
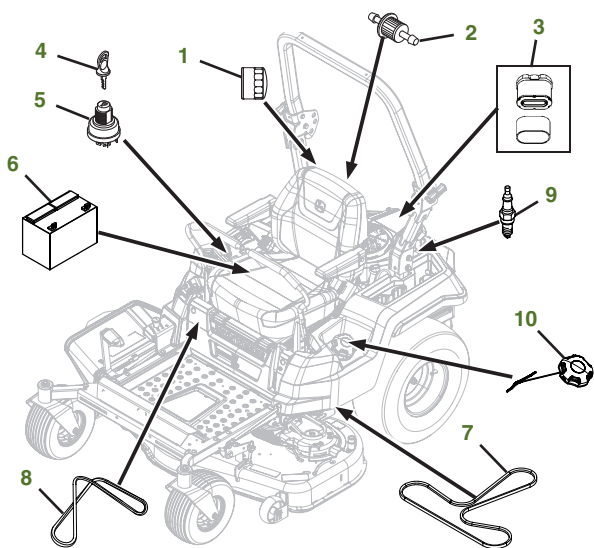


MAINTENANCE REMINDER SHEET

Z515E with 54" Accel Deep™ Deck



Tractor S/N

Deck S/N

Key	Part No.	Description	Key	Part No.	Description
1	AM125424	ENGINE OIL FILTER	9	MIU11020	SPARK PLUG
2	AM116304	FUEL FILTER-IN-LINE	10	AM146138	FUEL CAP
3	MIU11515	AIR FILTER-CART	11	GX25998	BELT-MOWER
4	AUC12681	KEY	12	GX10168	GAGE WHEEL
5	AUC14659	IGNITION SWITCH	13	M143520	BLADE-SIDE DISCHARGE 54"
6	TY25221A	BATTERY		M152726	BLADE-HIGH LIFT 54"
7	M172116	BELT-DRIVE		M177791	BLADE-MULCHING 54"
8	UC20041	BELT-POWER FLOW	14	BUC10706	MULCHCONTROL™ KIT

Parts Needed in First 250 Hours of Operation

Qty	Part No	Item	Qty or Capacity	Change Interval In Hours
2	TY22029	Engine Oil Turf-Gard™ 10W30	1.9 L (2 qt)	50/100/150/200/250
1	AM125424	Engine Oil Filter	1	50/100/150/200/250
1	MIU11515	Air Filter-Cartridge	1	100/200
1	MIU11517	Air Filter-Pre Cleaner	1	100/200
1	AM116304	Fuel Filter	1	100/200
2	MIU11020	Spark Plug	2	100/200
1	TY24416	John Deere Multi-Purpose HD Lithium Complex Grease		As Needed

"As Needed" Parts

Qty	Part No	Item
1	AM130907	Mower Deck Leveling Gauge
1	TY26518	Grease Gun

Home Maintenance Kit

Unit	Kit Number
Z515E	LG268

CLICK PART NUMBER TO BUY