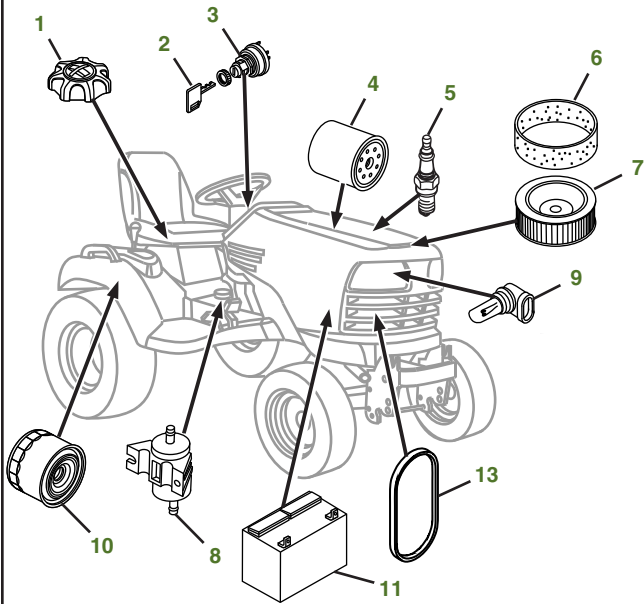
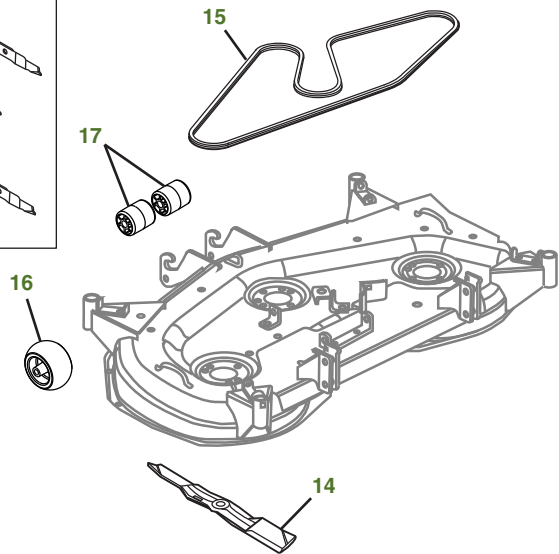
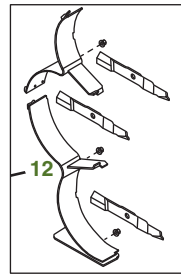


MAINTENANCE REMINDER SHEET

X734 with 48" Deck



Tractor S/N



Deck S/N

Key	Part No.	Description
1	AM141406	FUEL CAP
2	CY20680	KEY
3	AM133596	IGNITION SWITCH
4	AM107423	ENGINE OIL FILTER
5	M138938	SPARK PLUG
6	M148207	ENGINE AIR FILTER-FOAM
7	M152049	ENGINE AIR FILTER-PAPER
8	AM117584	FUEL FILTER
9	AM118013	HEADLIGHT BULB
10	AM131054	TRANSAXLE FILTER
11	TY25221	BATTERY - DRY CHARGED
	TY25221A	BATTERY - WET CHARGED

Key	Part No.	Description
12	BM20007	MULCH KIT - 48-in. Edge Deck (S/N -040000)
	BM24993	MulchControl™ KIT -48-in. Accel Deep™ Deck (S/N 040001-)
13	M97340	FAN BELT USE WITH ENGINE MARKED FD750D-KS12 OR FD750D-NS12 OR FD750D-MS12
	M147344	FAN BELT USE WITH ENGINE MARKED FD750D-HS12 OR FD750D-JS12
14	M145476	BLADE-STANDARD 48-IN. EDGE AND ACCEL DEEP DECK
	M127673	BLADE-MULCH 48-IN. EDGE AND ACCEL DEEP DECK
15	M163989	BELT - 48-IN. EDGE DECK (S/N -040000)
	M172662	BELT - 48-IN ACCEL DEEP DECK (S/N 040001-)
16	AM125172	GAGE WHEEL 48-IN. EDGE AND ACCEL DEEP DECK
17	M113955	FRONT ROLLER 48-IN. EDGE AND ACCEL DEEP DECK

Parts Needed in First 200 Hours of Operation

Qty	Part No	Item	Qty or Capacity	Change Interval In Hours
6	TY22029	Engine Oil Turf-Gard™ 10W-30	1.8L (1.9 qt)	8/100/200
3	AM107423	Engine Oil Filter	1	8/100/200
12	TY22035	Low Viscosity Hy-Gard™	5.6L (6 qt)	50/200
2	AM131054	Transaxle Filter	1	50/200
1	AM117584	Fuel Filter	1	200
2	M138938	Spark Plug	2	200
1	M148207	Engine Air Filter-Foam	1	200
1	M152049	Engine Air Filter-Paper	1	200
1	TY24416	John Deere Multi-Purpose HD Lithium Complex Grease		As Needed

"As Needed" Parts

Qty	Part No	Item
1	AM136872	Mower Deck Leveling Gauge
1	TY26288	Grease Gun

Home Maintenance Kit

Unit	Kit Number
X734	LG244

CLICK PART NUMBER TO BUY