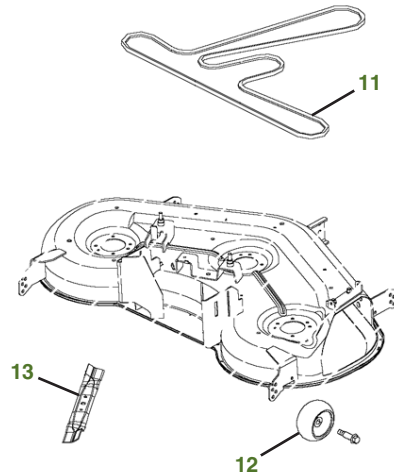
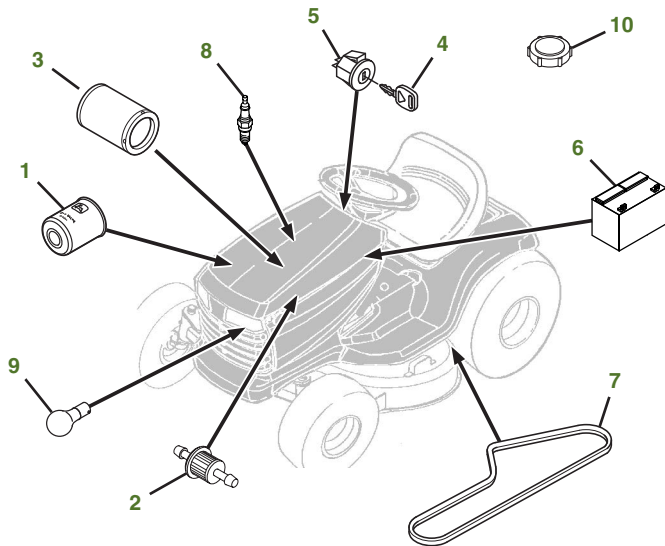


MAINTENANCE REMINDER SHEET

S140 with 48" Deck



Tractor S/N

Deck S/N

Key	Part No.	Description	Key	Part No.	Description
1	AM125424	ENGINE OIL FILTER	8	MIU11020	SPARK PLUG
2	AM116304	FUEL FILTER	9	AD2062R	HEADLIGHT BULB
3	MIU14395	AIR FILTER-CARTRIDGE	10	AUC12860	FUEL CAP
4	GY20680	KEY	11	CX21833	BELT-MOWER
5	GY20074	IGNITION SWITCH	12	GX10168	GAGE WHEEL
6	TY25221A	BATTERY	13	GX21784	3N1 BLADE 48"
7	GX20006	BELT-TRACTION DRIVE		GY20852	KIT-BLADE 48"
				CX21785	KIT-BAGGING 48"
				CX21786	KIT-MULCHING 48"

Parts Needed in First 250 Hours of Operation

Qty	Part No	Item	Qty or Capacity	Change Interval In Hours
10	TY22029	Engine Oil Turf-Gard™ 10W30	1.9 L (2 qt)	50/100/150/200/250
5	AM125424	Engine Oil Filter	1	50/100/150/200/250
5	MIU14395	Air Filter	1	50/100/150/200/250
5	AM116304	Fuel Filter	1	50/100/150/200/250
10	MIU11020	Spark Plug	2	50/100/150/200/250
2	TY24416	John Deere Multi-Purpose HD Lithium Complex Grease		As Needed

"As Needed" Parts

Qty	Part No	Item
1	AM130907	Mower Deck Leveling Gauge
1	TY26518	Grease Gun

Home Maintenance Kit

Unit	Kit Number
S140	LG276

CLICK PART NUMBER TO BUY