

REPLACEMENT PARTS GUIDE

6068HFU20 PowerTech 6.8L Genset OEM Engine



FUEL FILTER

[RE62418](#) (35BN, 35D4)

[RE60021](#) (3591)

1

SHORT BLOCK ASSEMBLY

[DZ110282](#)

Also Order Engine Gasket Kit, Dipstick Tube, Oil Pump, Cylinder Head Bolt Kit, 1)R121043 Valve, R111137 Spring, And Parts From the Short Block Hardware Kit As Needed.

2

STARTER

[DZ110083](#) (24V, 4KW) (3067)

[RE540301](#) (12V, 2.5KW) (3005)

[RE523502](#) (12V) (3084)

[RE546868](#) (12V, 3.2KW, RH) (30BA)

[RE552251](#) (24V, 3.5KW) (30CA)

[RE523501](#) (12V, 4.2KW, LH) (3073)

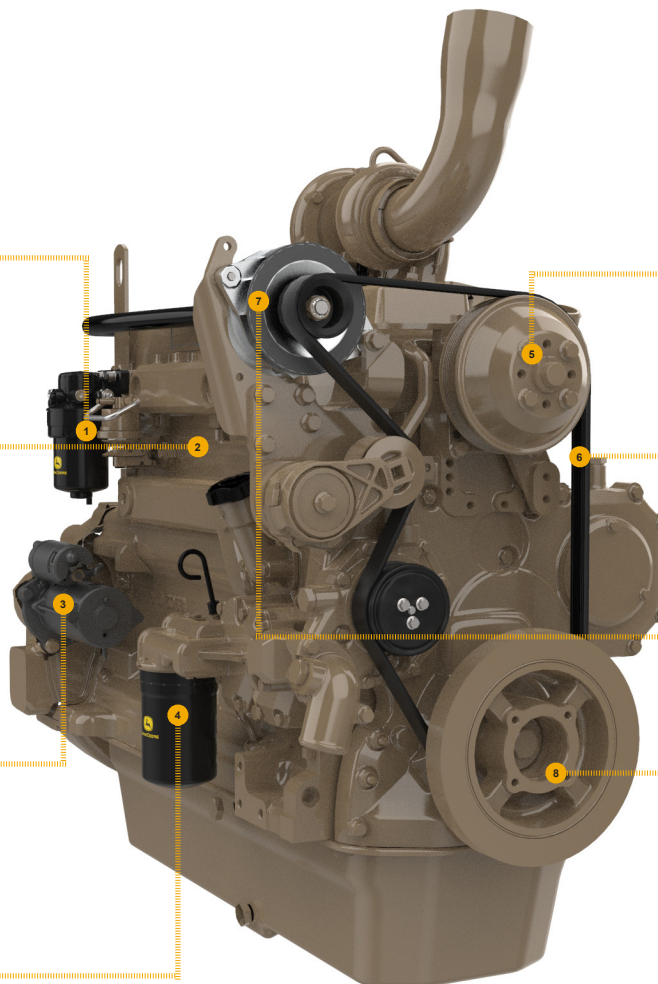
3

OIL FILTER

[RE504836](#) (8843)

500 Hours of Operation or Every 12 Months.

4



FAN PULLEY

[R128658](#) (OD = 140 mm) (8604)

[R128660](#) (OD = 168 mm) (8605, 8611)

[R503567](#) (OD = 126 mm) (8634)



5

FAN BELT

[T428825](#) (LGTH = 1650 mm) (2480)

[DZ117268](#) (LGTH = 1530 mm) (24BK)

[DZ119715](#) (LGTH = 1625 mm) (2429)

[R500277](#) (LGTH = 1500 mm) (2457)



6

ALTERNATOR

[RE533516](#) (12V, 75A) (3109)

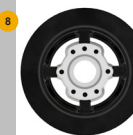
[RE537146](#) (24V, 50A) (3104)



7

CRANKSHAFT PULLEY

[RE57604](#) (OD = 271 mm) (6895)



8

DAMPER

[RE505940](#) (OD = 173 mm) (6895)

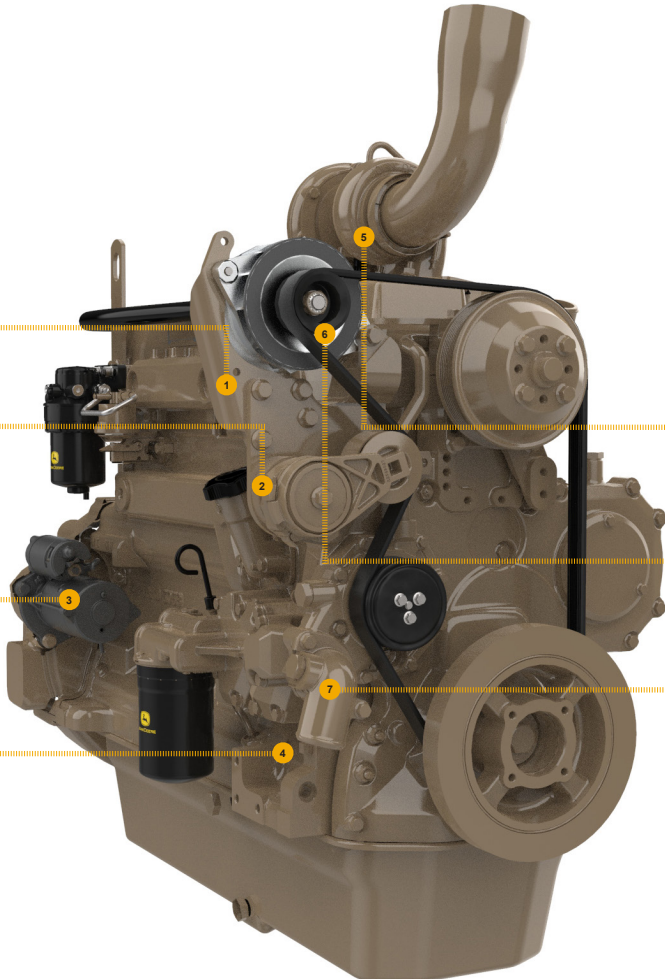
[DZ119883](#) (OD = 350 mm) (6813)



JOHN DEERE
Genuine Parts and Service


REMAN PARTS GUIDE

6068HFU20 PowerTech 6.8L Genset OEM Engine




 **CYLINDER HEAD**
[SE501581](#) (REMAN FOR [RE57489](#)) (5107)


 **CONNECTING RODS**
[SE501094](#) (REMAN FOR [RE500608](#))(4824, 48AK)

 **STARTER**
[SE501401](#) (REMAN FOR [RE540301](#))
(12V, 2.5KW) (3005)
[SE502632](#) (REMAN FOR [RE523502](#))
(12V) (3084)

 **OIL PUMP**
[SE501814](#) (REMAN FOR [DZ100057](#)) (5001)

 **TURBOCHARGER**
[SE502260](#) (REMAN FOR [RE515501](#)) (65BQ)

 **ALTERNATOR**
[SE502626](#) (REMAN FOR [RE533516](#))
(12V, 75A) (3109)

 **WATER PUMP**
[SE501609](#) (REMAN FOR [RE546906](#)) (4426)