



REPLACEMENT PART GUIDE

PowerTech 4.5L 4045TFM50 Marine Engine

ALTERNATOR

- [RE540412](#) (14V, 75A) (3148)
- [RE540413](#) (28V, 50A) (3149)
- [DZ117503](#) (24V, 190A) (3126)
- [RE537146](#) (28V, 75A) (3104)
- [RE533653](#) (12V, 95A) (3107)
- [RE533654](#) (12V, 120A) (3108)
- [RE533516](#) (12V, 75 A) (3109, 3111)



PRIMARY FUEL FILTER

- [RE62425](#) (35CU) (35CV)
- 500 hrs of operation or every 12 months.



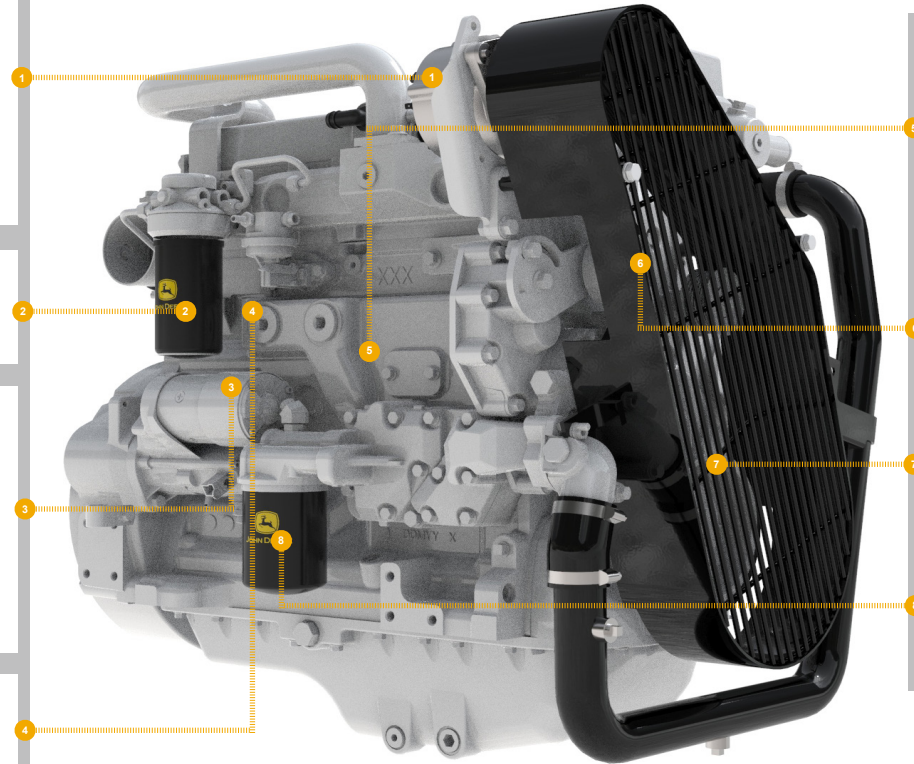
STARTER

- [RE564633](#) (24V, 4KW) (3090)
- [RE70957](#) (12V) (3006)
- [RE536490](#) (12V, 4.2KW) (30AG)
- [RE540300](#) (12V, 2.7KW) (3007)
- [RE540302](#) (12V) (3012)
- [RE501150](#) (24V) (3041)



FINAL FUEL FILTER

- [RE62420](#) (35AG, 35CU, 35CV)
- 500 hrs of operation or every 12 months.



SHORT BLOCK ASSEMBLY

- [RE571269](#)
- Also order engine gasket kit, dipstick tube, oilpump, cylinder head bolt kit, crank wheel (if applicable), R121043 valve, R111137 spring, and parts from the short block hardware kit as needed.



FAN BELT

- [DZ119515](#) (LGTH = 1585 mm) (24CZ, 24CY)
- [R500277](#) (LGTH = 1500 mm) (240N, 24BN)



CRANKSHAFT PULLEY

- [R133295](#) (OD = 169 mm) (1302, 1304)



OIL FILTER

- [DZ118286](#) (8852, 8851, 8850, 8802)
- 500 hrs of operation or every 12 months.





REMAN PARTS GUIDE

PowerTech 4.5L 4045TFM50 Marine Engine

ALTERNATOR

[SE502627](#) (REMAN FOR [RE533653](#))
(12V, 95A) (3107)

[SE502628](#) (REMAN FOR [RE533654](#))
(12V, 120A) (3108)

[RM100226](#) (REMAN FOR [RE540412](#))
(14V, 75A) (3148)

[SE501341](#) (REMAN FOR [RE537146](#))
(28V, 75A) (3104)

[SE502626](#) (REMAN FOR [RE533516](#))
(12V, 75A) (3109, 3111)



STARTER

[SE501406](#) (REMAN FOR [RE501150](#)) (24V)
(3041)

[SE501402](#) (REMAN FOR [RE540300](#))
(12V, 2.7KW) (3007)

[SE501426](#) (REMAN FOR [RE540302](#)) (12V)
(3012)

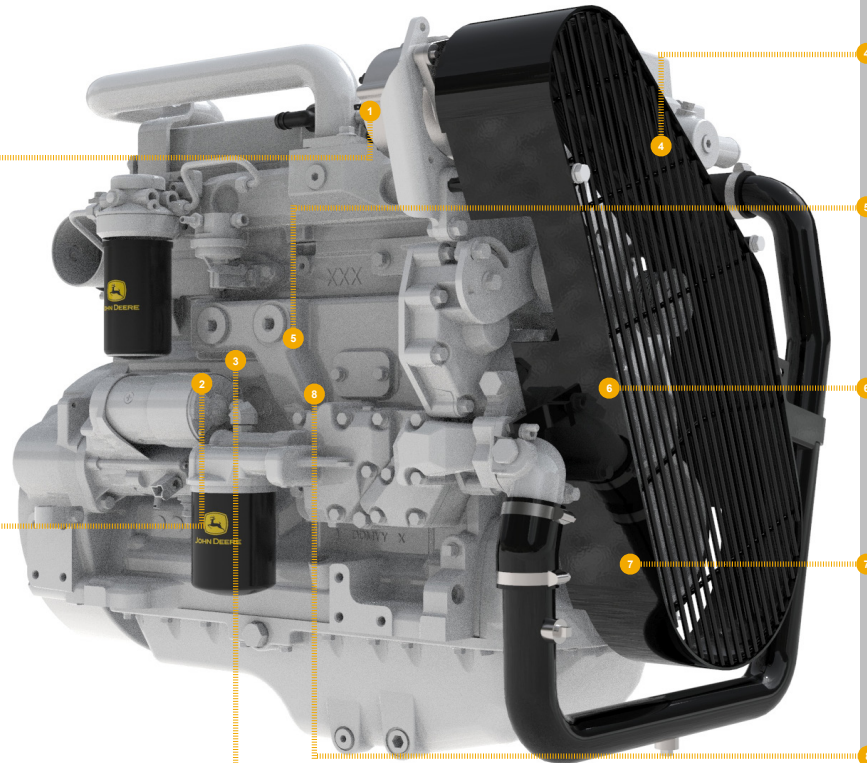
[SE502733](#) (REMAN FOR [RE564633](#))
(24V, 4KW) (3090)

[SE501403](#) (REMAN FOR [RE70957](#)) (12V)
(3006)



CONNECTING ROD

[SE501094](#) (REMAN FOR [RE500608](#))
(4816)



TURBOCHARGER

[SE502182](#) (REMAN FOR [RE502857](#))
(6585, 65NG)



CYLINDER HEAD

[SE501579](#) (REMAN FOR [RE57234](#)) (5102)



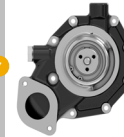
OIL PUMP

[SE501814](#) (REMAN FOR [DZ100057](#))
(5001, 5002)



WATER PUMP

[SE501951](#) (REMAN FOR [RE504911](#))
(4412, 4456)



COMPLETE BLOCK ASSEMBLY

[SE500718](#)

May not be as illustrated. Includes cylinder head with valves and rocker arm assembly, balancer shafts, oil pump assembly, complete gasket kit with front and rear seals.



JOHN DEERE
Genuine Parts and Service