

REPLACEMENT PARTS GUIDE

4045TF280R01 PowerTech M 4.5L OEM (Tier 3 Engine)



PRIMARY FUEL FILTER

[RE541922](#) (81G1)

FINAL FUEL FILTER

[RE522868](#) (35J8)

500 Hours of Operation or Every 12 Months.



ALTERNATOR

[RE533516](#) (12V, 75A) (3109)



STARTER

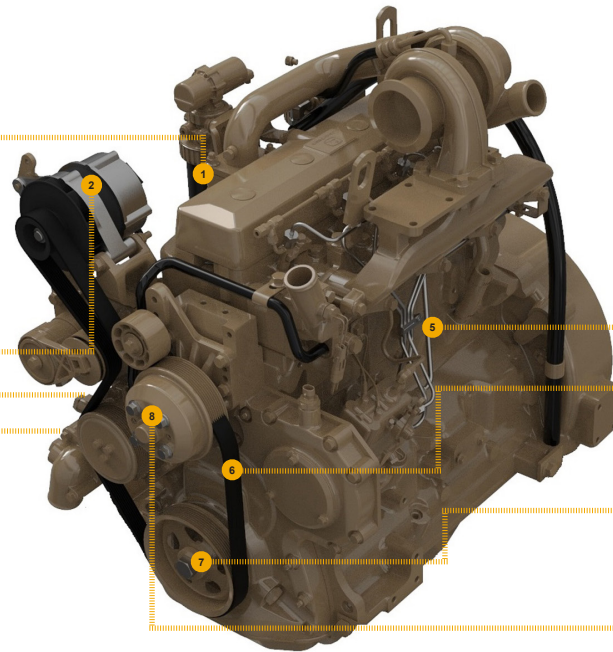
[RE540301](#) (12V, 2.5KW) (3005)



OIL FILTER

[RE504836](#) (8843)

500 Hours of Operation or Every 12 Months.



SHORT BLOCK ASSEMBLY

[DZ109713](#)

(Also order engine gasket kit, dipstick tube, oil pump, cylinder head bolt kit, crank wheel (if applicable), (1) R121043 valve, (1) R111137 spring, and parts from the short block hardware kits as needed.)



FAN BELT

[DZ117268](#) (LGTH = 1530 mm) (2406)



CRANKSHAFT PULLEY

[R505567](#) (OD = 173 mm) (1328)



FAN PULLEY

[R128658](#) (OD = 140 mm) (8601)



JOHN DEERE
Genuine Parts and Service

REMAN PARTS GUIDE

4045TF280R01 PowerTech M 4.5L OEM (Tier 3 Engine)



ALTERNATOR

[RE533516](#) (REMAN FOR [RE533516](#))
(12V, 75A) (3109)



STARTER

[SE501401](#) (REMAN FOR [RE540301](#))
(12V, 2.5KW) (3005)



FUEL INJECTION PUMP

[SE501994](#) (REMAN FOR [RE533483](#))
(16F8)



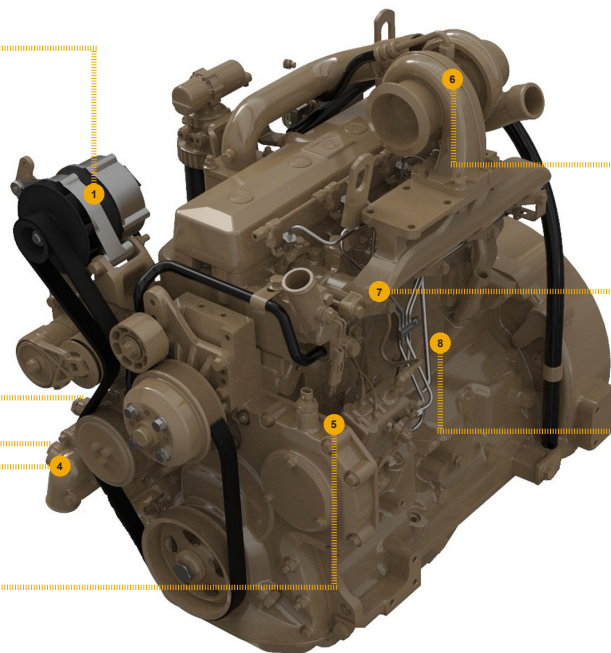
WATER PUMP

[SE501610](#) (REMAN FOR [RE546917](#))
(4429)



OIL PUMP

[SE501814](#) (REMAN FOR [DZ100057](#))
(5001)



TURBOCHARGER

[SE502445](#) (REMAN FOR [RE548734](#)) (65SJ)



CYLINDER HEAD

[SE501806](#) (REMAN FOR [RE531088](#)) (5127)



CONNECTING RODS

[SE501096](#) (REMAN FOR [RE500002](#)) (4843)



JOHN DEERE
Genuine Parts and Service