

REPLACEMENT PARTS GUIDE

X584 Lawn and Garden Tractor

ENGINE



OIL FILTER

[AM125424](#)

Every 100 hrs or Annually.



ENGINE OIL

[TY22029](#) (Turf-Gard™ 10W-30)
(2.1 L (2.2 qt))

Every 100 hrs or Annually.



AIR FILTER

[MIU12554](#) (PRIMARY, FOAM)
[MIU12555](#) (SECONDARY, PAPER)

Every 100 hrs / Annually.



JOHN DEERE MULTI-PURPOSE HD LITHIUM COMPLEX GREASE

[TY24416](#)



GREASE GUN

[TY26518](#)

Change As Required.



FUEL FILTER

[AM116304](#)

Every 100 hrs / Annually.



SPARK PLUG

[M805853](#)

Every 100 hrs / Annually.



TRANSAXLE FILTER

[MIA881446](#)

Every 200 hrs.



TRACTION BELT

[M174585](#) (LGTH = 2467.6 mm, TK = 14.7 mm,
WIDTH = 16 mm)



TRANSAXLE OIL

[TY22035](#) (Low Viscosity Hy-Gard™)
(5.3 L (5.6 qt.))

Every 200 hrs.



V BELT

[UC35484](#) (LGTH = 2334 mm, TK = 12.45 mm,
WIDTH = 12.45 mm) (HYDRO
EXTENDED WHEELBASE)



ELECTRICAL



KEY

[GY20680](#)



HEAD LIGHT BULB

[AD2062R](#) (27 W)



IGNITION SWITCH

[AM133597](#)



BATTERY

[TY25876B](#) (12 V) (FOR CANADA AND USA)
[MCYP25876](#) (12 V) (NOT FOR CANADA
AND USA)

FUEL & AIR



FILLER CAP

[AM141406](#)



MUFFLER

[AM141137](#)



HOME MAINTENANCE KIT

[LG265](#) (NOT FOR EUROPE)
[AUC17070](#) (FOR EUROPE)



REPLACEMENT PARTS GUIDE

X584 with 48 inch Accel Deep Deck

MOWER BLADE

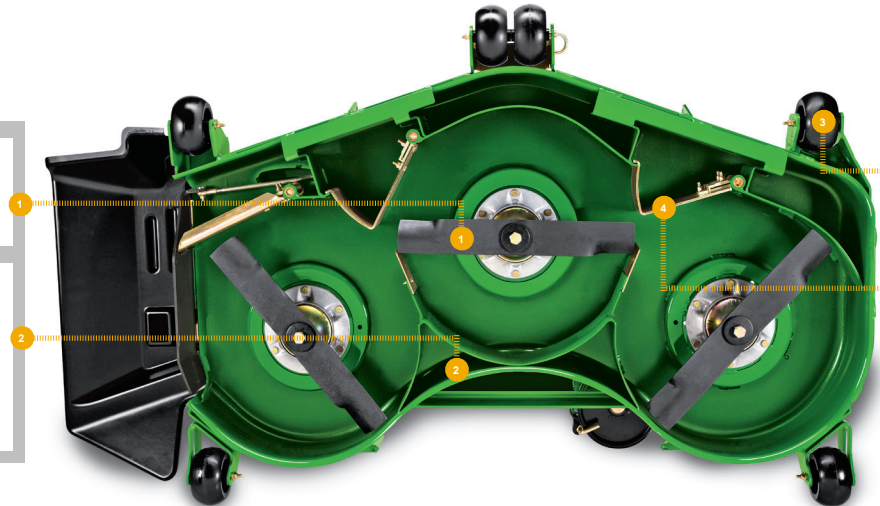
[UC22009](#)

V BELT

[M169485](#) (LGTH = 1900 mm, TK = 11 mm,
WIDTH = 16.6 mm) (PRIMARY)

[M169500](#) (LGTH = 2629 mm, TK = 11 mm,
WIDTH = 16.6 mm) (SECONDARY)

Every 100 hrs or Annually.



GAGE WHEELS

[M111489](#)

MULCH BLADE

[M127673](#)

[UC25185](#) (RETROFIT)

MOWER DECK LEVELING GAUGE

[AM130907](#)

REPLACEMENT PARTS GUIDE

X584 with 54 inch Accel Deep Deck

MOWER BLADE

[UC22010](#) (STANDARD)

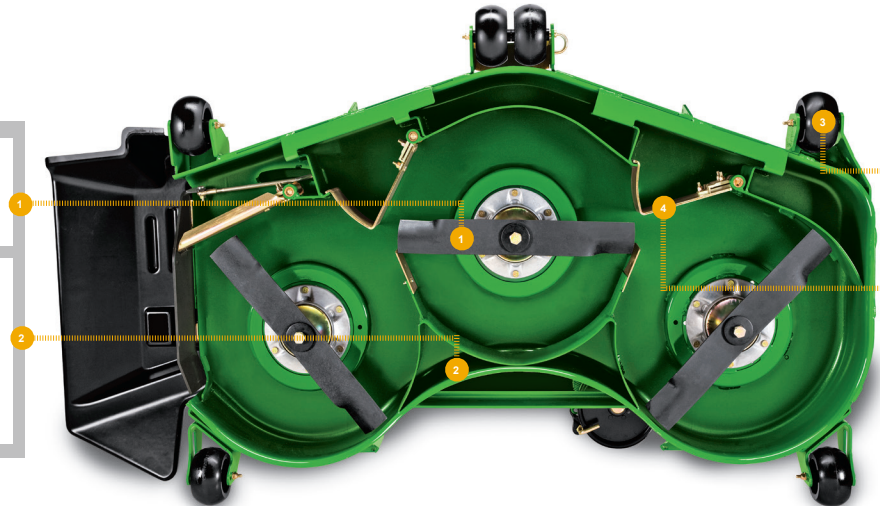
[M152726](#) (HIGH LIFT)

V BELT

[M169485](#) (LGTH = 1900 mm, TK = 11 mm, WIDTH = 16.6 mm) (PRIMARY)

[M169486](#) (LGTH = 2810 mm, TK = 11 mm, WIDTH = 16.6 mm) (SECONDARY)

Every 100 hrs or Annually.



GAGE WHEELS

[M111489](#)

MULCH BLADE

[M177791](#)

MOWER DECK LEVELING GAUGE

[AM130907](#)