

REPLACEMENT PARTS GUIDE

E120 100 Series Tractor

ENGINE

SPARK PLUG

[MIU11020](#) (USE WITH [AUC15562](#))

Yearly / Every 50 Hrs.



OIL FILTER

[AUC12916](#) (For USA, Canada and Mexico)
[AUC13184](#) (For South America)
[AUC14214](#) (For Europe)

Yearly / Every 50 Hrs.



ENGINE OIL

[TY22029](#) (Turf-Gard 10W-30)-2.6 L (2.8 qt)

Yearly / Every 50 Hrs.



AIR FILTER

[MIU14395](#)

Yearly / Every 50 Hrs.



JOHN DEERE MULTI-PURPOSE HD LITHIUM COMPLEX GREASE

[TY24416](#)

GREASE GUN

[TY26518](#)

Change As Required.



FUEL FILTER

[AM116304](#)

Yearly / Every 50 Hrs.



HOME MAINTENANCE KIT

[AUC13705](#)

Yearly / Every 50 Hrs.



TRACTION DRIVE BELT

[UC30568](#) (LGTH = 2258 mm, TK = 9.1 mm,
 WIDTH = 12.70 mm)



ELECTRICAL

KEY
[GY20680](#)



HEAD LIGHT BULB
[AD2062R](#) (27 W)



IGNITION SWITCH
[GY20074](#)



BATTERY
[TY25221B](#) (12 V) (FOR CANADA AND USA)
[MCYP340PE](#) (12 V) (NOT FOR CANADA AND USA)

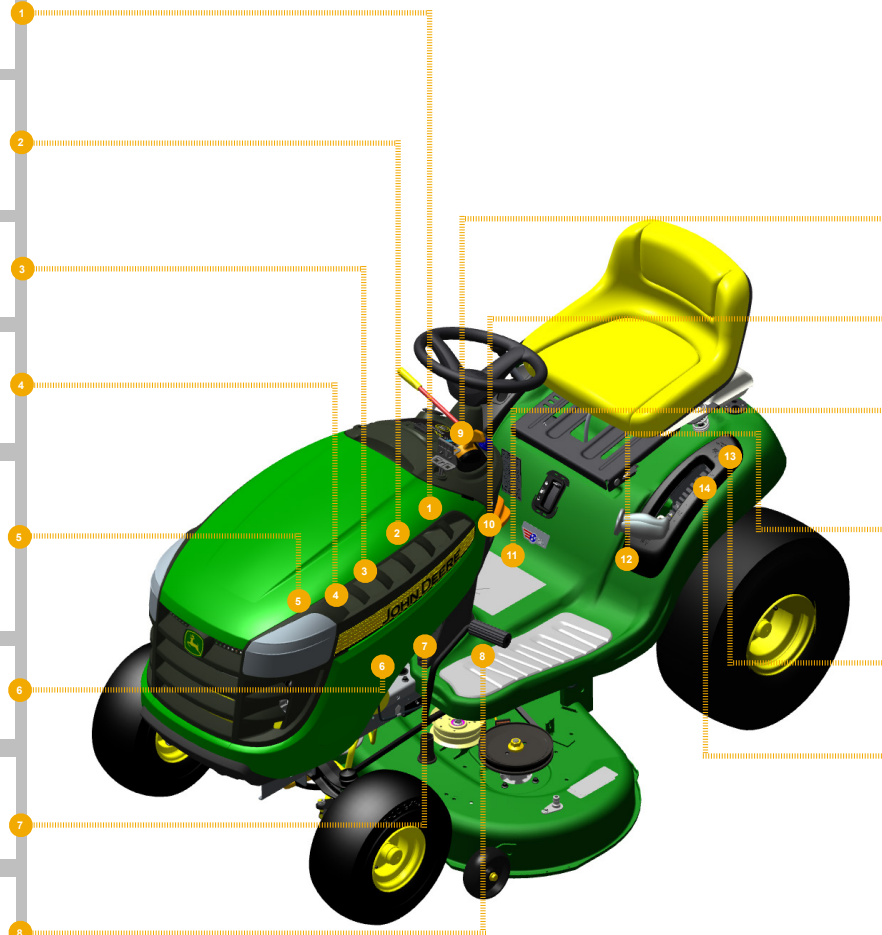


FUEL & AIR

FILLER CAP
[AUC18428](#)



MUFFLER
[GY21991](#)




REPLACEMENT PARTS GUIDE

E120 With 42 inch Convertible Deck

MOWER BLADE

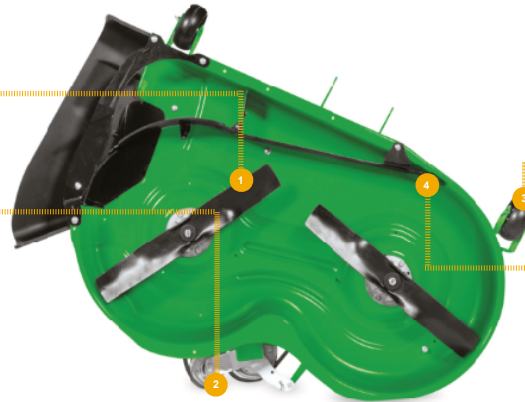
 [UC21583](#)

V BELT

 [UC32283](#) (LGTH = 2635 mm, TK = 10.9 mm, WIDTH = 14.4mm)

MOWER DECK LEVELING GAUGE

 [AM130907](#)



GAGE WHEELS

 [GX10168](#)

MULCH BLADE

 [AM141033](#)