

REPLACEMENT PARTS GUIDE

E100 100 Series Tractor

ENGINE

SPARK PLUG

[M78543](#)

Yearly / Every 50 Hrs.



OIL FILTER

[AM125424](#)

Yearly / Every 50 Hrs.



ENGINE OIL

[TY22029](#) (Turf-Gard 10W-30)-1.4 L (1.5 qt)

Yearly / Every 50 Hrs.



AIR FILTER

[MIU14395](#) (CARTRIDGE)

Yearly / Every 50 Hrs.



JOHN DEERE MULTI-PURPOSE HD LITHIUM COMPLEX GREASE

[TY24416](#)

GREASE GUN

Change As Required.



FUEL FILTER

[AM116304](#)

Yearly / Every 50 Hrs.



HOME MAINTENANCE KIT

[LG271](#) (FOR CALIFORNIA)

[LG266](#) (FOR USA, NOT FOR CALIFORNIA)

Yearly / Every 50 Hrs.



TRACTION DRIVE BELT

[GX24154](#) (LGTH = 2492 mm, TK = 8.89 mm, WIDTH = 12.7 mm)



ELECTRICAL

KEY
[GY20680](#)



HEAD LIGHT BULB
[AD2062R](#) (27 W)



IGNITION SWITCH
[GY20074](#)



BATTERY
[TY25221B](#) (12 V) (FOR CANADA AND USA)
[MCYP340PE](#) (12 V) (NOT FOR CANADA AND USA)

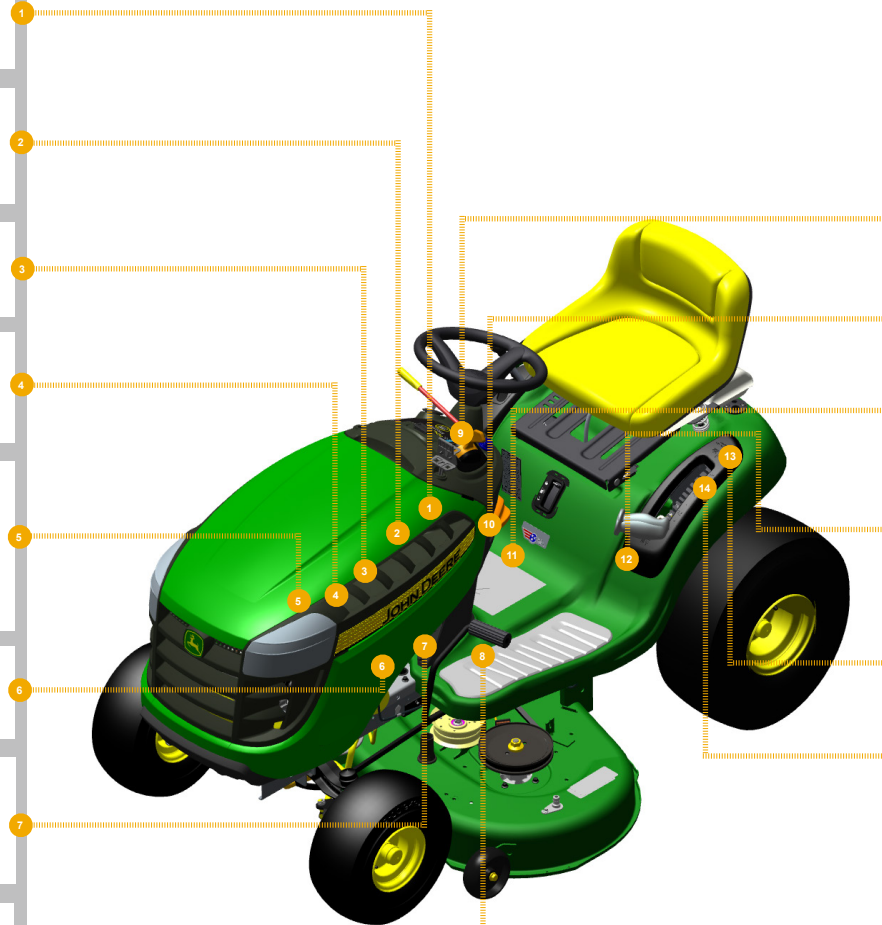


FUEL & AIR

FILLER CAP
[AUC18428](#)



MUFFLER
[GY22156](#)



REPLACEMENT PARTS GUIDE

E100 with 42 inch Convertible Deck

MOWER BLADE

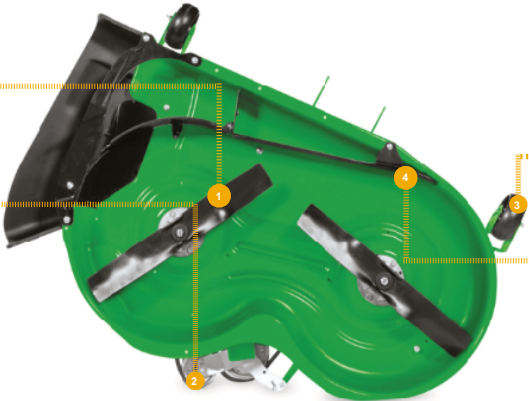
[UC21583](#)

V BELT

[UC32283](#) (LGTH = 2635 mm, TK = 10.9 mm, WIDTH = 14.4mm)

MOWER DECK LEVELING GAUGE

[AM130907](#)



GAGE WHEELS

[GX10168](#)

MULCH BLADE

[AM141033](#)