

REPLACEMENT PART GUIDE

6136HI550 PowerTech™ 13.6 L Industrial OEM Engine(FT4/Stage V)



ALTERNATOR

[DZ123911](#) (12 V, 330 A) (3112)
[RE555751](#) (12 V, 200 A) (3106)
[RE537508](#) (12 V, 120 A) (3107)
[RE537507](#) (12 V, 90 A) (3108)
[DZ123153](#) (14 V, 90 A) (3108)
[DZ117723](#) (12 V, 250 A) (3111)
[RE558678](#) (24 V, 150 A) (3103)
[RE558675](#) (24 V, 60 A) (3105)
[RE550906](#) (12 V, 240 A) (3101)



FAN BELT

[DZ119003](#) (LGTH=2165 mm) (2401)
[HXE145838](#) (LGTH=2590 mm) (2403)
[DZ116837](#) (LGTH=2555 mm) (2404)



DOSING UNIT PUMP FILTER

[DZ114640](#) (6110) (6118)
 4500 hrs of operation or every 36 months.



DEF TANK INLET SCREEN

[DZ114695](#) (974G) (974Q) (974C)
 1500 hrs of operation or every 36 months.



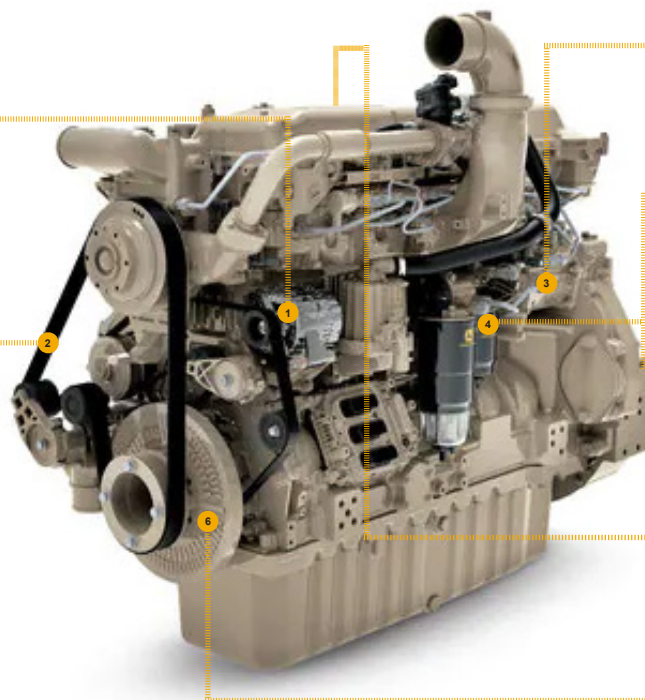
DIESEL EXHAUST FLUID INLINE FILTER

[DZ110513](#) (3337) (3339) (3341) (3340) (3367)
 (3338) (3342)
 8000 Hrs of operation or Every 36 months.



TANK HEADER SUCTION SCREEN

[DZ111166](#) (USE WITH DZ113373 974G)
 (974C)
[DZ110562](#) (USE WITH DZ113378 974G)
 1500 Hrs of operation or Every 36 months.



STARTER MOTOR

[DZ121183](#) (3003)
[DZ119637](#) (3003) (3004)
[DZ114758](#) (3004)



PRIMARY FUEL FILTERS

[DZ124761](#) (3503) (3501)
 500 Hours of Operation or Every 12 Months.



SECONDARY FUEL FILTERS

[DZ124786](#) (3501)
 500 Hours of Operation or Every 12 Months.



OIL FILTER

[RE572785](#) (5902) (5901)
 500 hrs of operation or every 12 months.



CRANKSHAFT PULLEY & DAMPER

[DZ117460](#) (6801)



REMAN PARTS GUIDE

6136HI550 PowerTech™ 13.6 L Industrial OEM Engine(FT4/Stage V)



ALTERNATOR



- [SE502560](#) (REMAN FOR [RE537507](#))
(12 V, 90 A) (3108)
- [SE502561](#) (REMAN FOR [RE537508](#))
(12 V, 120 A) (3107)
- [RM100162](#) (REMAN FOR [RE550906](#))
(12 V, 120 A) (3101)
- [SE502680](#) (REMAN FOR [RE555751](#))
(12 V, 200 A) (3106)
- [SE502563](#) (REMAN FOR [RE558676](#))
(24 V, 100A)

