

REPLACEMENT PART GUIDE

PowerTech 6.8L (6068HF250) Engine



ALTERNATOR



[DZ117503](#) (24 V, 140 A) (3126)
[RE505895](#) (12 V; 75 A) (3135)
[RE506196](#) (12 V; 55 A) (3115) (3122)
[RE533516](#) (12 V; 75 A) (3109) (3111)
[RE533653](#) (12 V; 95 A) (3107)
[RE533654](#) (12V; 120A; ISKRA) (3108)
[RE537146](#) (28 V, 50 A) (3104) (3114)

FUEL FILTER



[RE62419](#) (3527) (3545)
[RE62424](#) (8104) (8105) (8106)
 500 hrs of operation or every 12 months.

OIL FILTER



[DZ118286](#) (8801) (8802) (8803) (8805) (8806)
 (8807) (8809) (8810)
 500 hrs of operation or every 12 months.

STARTER



[RE501150](#) (24V) (3041)
[RE501166](#) (12V) (3026)
[RE523501](#) (3073)
[RE64474](#) (12V) (3025)
[RE65175](#) (3003)
[RE65189](#) (24V, 7 KW) (3011)
[RE549229](#) (12V) (3013)
[RE70957](#) (12V, 2.5 KW) (3006)
[RE70960](#) (12V, 4.8 KW) (3010)
[RE70960,RE70957](#) (RH; 12 V, LH; 12 V) (3060)
[RE70961](#) (24V, 7 KW) (3001)
[RE70961,RE501150](#) (RH; 24 V, LH; 24 V) (3061)

CRANKSHAFT PULLEY & DAMPER

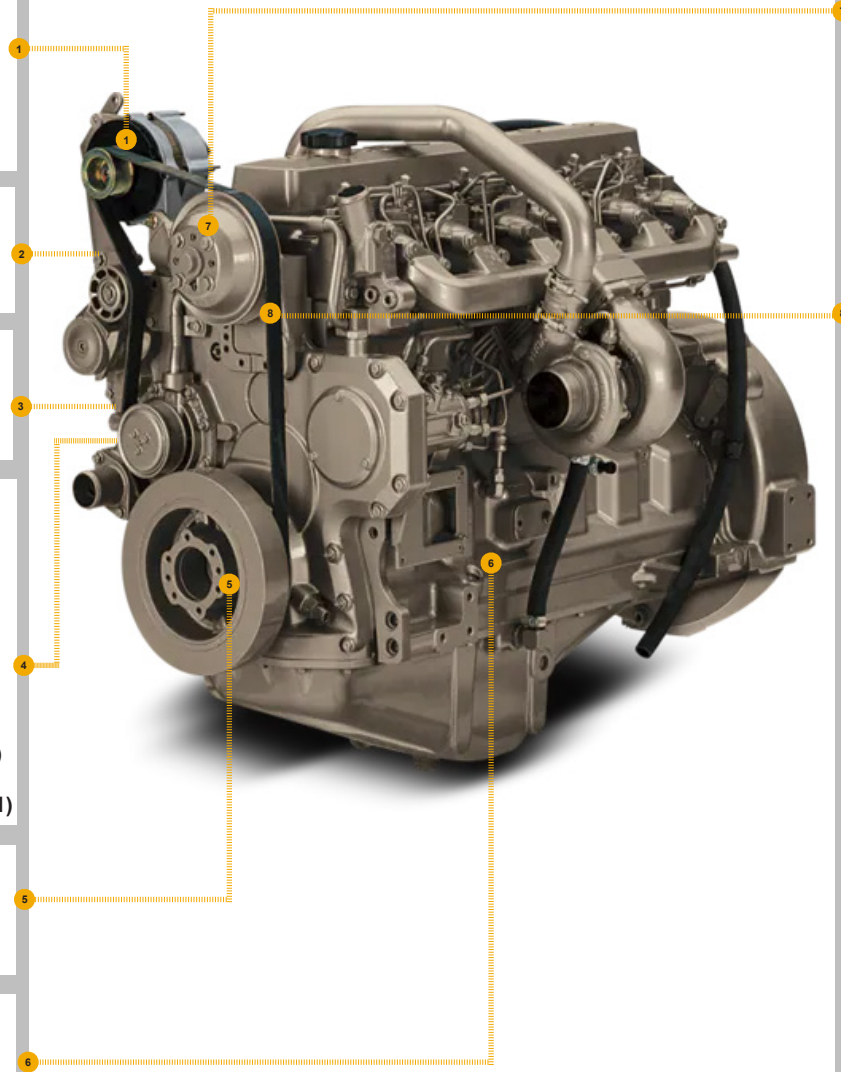


[RE500013](#) (OD = 264 mm) (6803)
[R133296](#) (OD = 193 mm) (1305)
[R133295](#) (OD = 173 mm) (1306)

SHORT BLOCK ASSEMBLY



[RE571654](#)(CRANKSHAFT R503470)
[RE571655](#) (CRANKSHAFT R116076)



FAN PULLEY



[R128658](#) (OD=140 mm) (OD=145 mm) (8604)
 (8607) (8610) (8601) (8629)
[R128662](#) (OD= 203 mm) (8603) (8609) (8606)
 (8612)
[R128660](#) (OD=173 mm) (OD=168 mm) (8605)
 (8608) (8611) (8602)

FAN BELT



[DZ114929](#) (LGTH = 1655 mm) (240K) (24DO) (24DS)
[DZ115455](#) (LGTH = 1550 mm) (2407) (240W) (24AJ)
[DZ115812](#) (LGTH = 1680 mm) (24EF)
[DZ117267](#) (LGTH = 1690 mm) (24EC)
[DZ118764](#) (LGTH = 1525 mm) (2403) (2405)
[DZ118781](#) (LGTH = 1700 mm) (24DZ)
[DZ118815](#) (LGTH = 1725 mm) (24ED)
[DZ119018](#) (LGTH = 2395 mm) (24EB)
[DZ119060](#) (LGTH = 1555 mm) (2401) (2422)
 (LGTH = 1558 mm) (2471)
[DZ119061](#) (LGTH = 1540 mm) (2414)
[DZ119062](#) (LGTH = 1550 mm) (240R)
[DZ119063](#) (LGTH = 1560 mm) (2408) (2472)
[DZ119416](#) (LGTH = 1595 mm) (2413) (2416) (2475)
[DZ119477](#) (LGTH = 1565 mm) (2415) (2423) (2476)
[DZ119515](#) (LGTH = 1585 mm) (2443) (2473) (2474)
[DZ119516](#) (LGTH = 1600 mm) (LGTH = 1590 mm)
 (2411) (2435) (2441) (24DB) (24DD)
[DZ119520](#) (LGTH = 1605 mm) (2417) (2477) (2478)
[DZ119521](#) (LGTH = 1610 mm) (2412) (24DL) (24DT)
[DZ119522](#) (LGTH = 1630 mm) (2419) (24DM)
[DZ119530](#) (LGTH = 1675 mm) (2427) (24DQ)
[DZ119531](#) (LGTH = 2320 mm) (2433)
[DZ119533](#) (LGTH = 2360 mm) (24EA)
[DZ119715](#) (LGTH = 1625 mm) (2429) (2438) (2482)
 (24DF) (24DR)
[T428725](#) (LGTH = 1640 mm) (24DG)
[R134625](#) (LGTH = 1645 mm) (24DP)
[T428724](#) (LGTH = 1575 mm) (2409)
[T428725](#) (LGTH = 1640 mm) (24DU)
[T428818](#) (LGTH = 1590 mm) (240F) (2424)
[T428820](#) (LGTH = 1580 mm) (2402) (240T) (240V)
 (2421) (2479) (24AN)
[T428822](#) (LGTH = 1615 mm) (24DE) (24DJ)
[T428823](#) (LGTH = 1635 mm) (24DK) (24DN) (24DV)
[T428825](#) (LGTH = 1653 mm) (2425) (2480) (24EE)
[T428863](#) (LGTH = 1620 mm) (2418) (24DC)

REMAN PARTS GUIDE

PowerTech 6.8L (6068HF250) Engine



CYLINDER HEAD

[SE501581](#) (REMAN FOR [RE57489](#)) (5107)

ALTERNATOR

[SE501342](#) (REMAN FOR [AH137883](#))
(12 V, 95 A) (3107)
[SE501343](#) (REMAN FOR [AH165975](#))
(12 V, 120 A) (3108)
[SE501387](#) (REMAN FOR [AT173624](#), [DZ114956](#))
(12 V, 65 A) (3109) (3115) (3122) (3111)
[SE501341](#) (REMAN FOR [AT185696](#), [TY24322](#) OR
[AT175195](#)) (24 V, 45 A) (3104)
[SE501348](#) (REMAN FOR [AT208541](#), [TY25955](#),
[TY6794](#)) (24 V, 80 A) (3124)
[SE501387](#) (REMAN FOR [AT220393](#), [TY6799](#))
(12 V, 65 A) (3109)
[SE501342](#) (REMAN FOR [AT220394](#), [TY24485](#))
(12 V, 95 A) (3107)
[SE501832](#) (REMAN FOR [AXE28087](#))
(12 V, 185 A) (31A1)
[RM100224](#) (REMAN FOR [RE505895](#))
(12 V, 75 A) (3135)
[SE501823](#) (REMAN FOR [RE506196](#), [RE533516](#))
(12 V, 75 A) (3109) (3111)
[SE502627](#) (REMAN FOR [RE533653](#))
(12 V, 95 A) (3107)
[SE502628](#) (REMAN FOR [RE533654](#))
(12 V, 120 A) (3108)
[SE501341](#) (REMAN FOR [TY24322](#))
(12 V, 45 A) (3104)



WATER PUMP

[SE501609](#) (REMAN FOR [RE546906](#)) (4425)
(4426)
[SE501951](#) (REMAN FOR [RE504911](#))



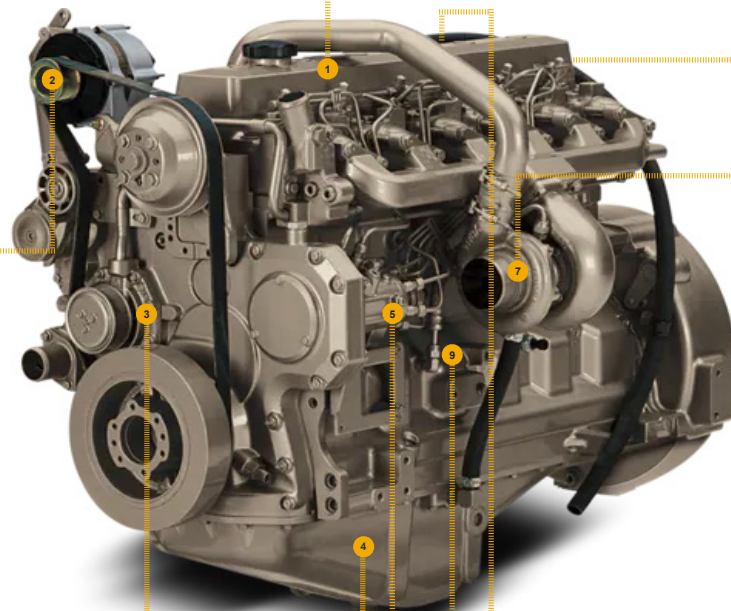
OIL PUMP

[SE501814](#) (REMAN FOR [DZ100057](#)) (5001)



FUEL INJECTION PUMP

[SE500839](#) (REMAN FOR [RE59521](#)) (9901)



NOZZLE

[SE501104](#) (REMAN FOR [RE507287](#)) (16TV)
[SE501101](#) (REMAN FOR [RE48786](#)) (1622)



TURBOCHARGER

[SE502228](#) (REMAN FOR [RE505059](#))
(6592) (6594) (6595)
[SE502368](#) (REMAN FOR [RE508657](#))
(65FN) (65CJ) (65CL) (65DQ)
[SE502173](#) (REMAN FOR [RE509533](#)) (6592)



STARTER

[SE501406](#) (REMAN FOR [RE501150](#))
(24 V) (3041) (3061)
[SE501850](#) (REMAN FOR [RE507639](#))
(12 V) (3073)
[SE502631](#) (REMAN FOR [RE523501](#))
(12 V, 4.2 KW) (3073)
[SE502632](#) (REMAN FOR [RE523502](#))
(12V, 4.2 KW) (3084) (3088)
[SE501408](#) (REMAN FOR [RE65175](#)) (3003)
[SE501420](#) (REMAN FOR [RE65176](#), [TY25966](#),
[TY6781](#)) (12 V) (3006)
[SE502634](#) (REMAN FOR [RE65189](#))
(24 V) (3011)
[SE501409](#) (REMAN FOR [RE65190](#), [RE549229](#))
(12 V) (3013)
[SE501405](#) (REMAN FOR [RE70474](#))
(12 V) (3060) (3010)
[SE501403](#) (REMAN FOR [RE70957](#), [TY24439](#))
(3006) (3060)
[SE501405](#) (REMAN FOR [RE70960](#), [TY24441](#))
(12 V) (3060) (3010)
[SE501407](#) (REMAN FOR [RE70961](#), [TY24444](#))
(24 V) (3001) (3061)



CONNECTING ROD

[SE501094](#) (REMAN FOR [RE500608](#))
(4820) (4824) (4810)



JOHN DEERE

Genuine Parts and Service