

REPLACEMENT PART GUIDE

6068CI550 PowerTech PSS 6.8L Industrial OEM Engine (FT4)



PRIMARY FUEL FILTER

[DZ128543](#)
(35LC), (35LD), (35LE), (35LF)

500hrs of operation or every 12 months.



SECONDARY FUEL FILTER

[DZ115392](#)
(35LC), (35LD), (35LE), (35LF)

500hrs of operation or every 12 months.



OIL FILTER

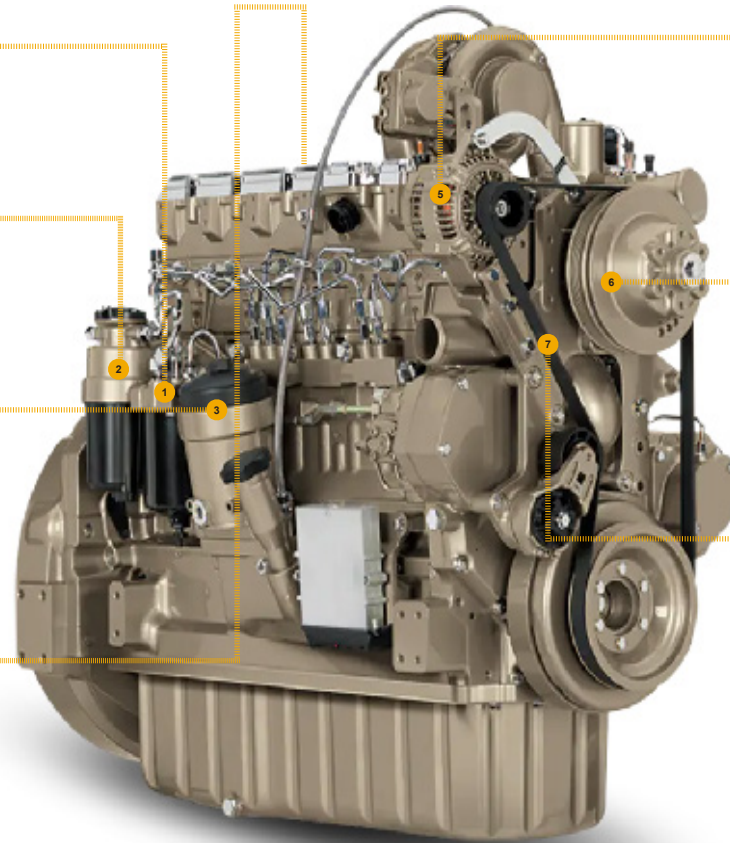
[RE539279](#) (5970),(5975)

250hrs of operation or every 6 months.



STARTER

[RE564633](#) (24V) (3090)
[RE549229](#) (12V) (30AT)
[RE70756](#) (12V) (30AT)
[RE549230](#) (24V) (30AU)
[RE523502](#) (12V) (3084)
[DZ110083](#) (24V, 4KW) (3096)
[RE523501](#) (3073)
[RE551644](#) (24V) (30AY)
[RE551637](#) (12V) (30BX)
[RE552251](#) (3.5KW,24V) (30CA)



ALTERNATOR

[RE537508](#) (12V, 120 AMP) (31AB)
[RE558675](#) (24V, 60 AMP) (31AC)
[RE558676](#) (24V) (31AD)
[DZ123153](#) (31AE)
[RE555751](#) (12V) (31AF)
[RE558678](#) (31AG)
[RE550906](#) (12V, 240 AMP) (31AH)



FAN PULLEY

[R128660](#) (OD = 168 mm) (8667)
[R128662](#) (OD = 203 mm) (8668)
[R113480](#) (OD = 173 mm) (8699)
[R522890](#) (OD = 203 mm) (8673)



FAN BELT

[DZ118561](#) (LGTH = 1750 mm) (24JX)
[DZ118651](#) (LGTH = 1970 mm) (24JQ)
[DZ118559](#) (LGTH = 1700 mm) (24JV)
[DZ121131](#) (LGTH = 1990 mm) (24JS)
[DZ118786](#) (LGTH = 1715 mm) (2492) (24LN)
[DZ118653](#) (LGTH = 2025 mm) (24JT)
[DZ118560](#) (LGTH = 1720 mm) (24JY) (24LM)
[DZ118652](#) (LGTH = 2005 mm) (24JR)
[DZ121128](#) (LGTH = 1725 mm) (24JW)
[DZ118560](#) (LGTH = 1720 mm) (24LM)
[DZ121133](#) (LGTH = 1765 mm) (24LP)
[DZ118886](#) (LGTH = 2065 mm) (24LU)

REPLACEMENT PART GUIDE

6068CI550 PowerTech™ PSS 6.8L Industrial OEM Engine (FT4)



SHORT BLOCK ASSEMBLY
[DZ109870](#)



CRANKCASE VENT SYSTEM
[RE553703](#) (29AE) (29AE)
 1500 Hours of Operation.



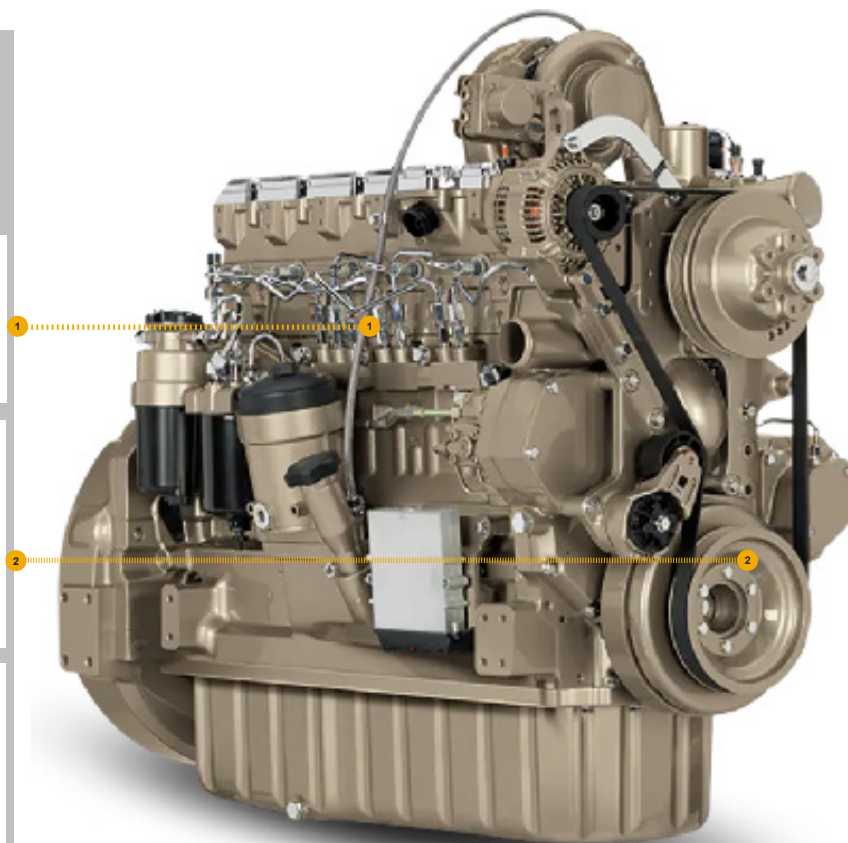
CRANKSHAFT PULLEY & DAMPER
[DZ119883](#) (OD=223MM) (6813)
[RE57604](#) (OD=271MM) (6895)
[RE57604](#) (OD=271MM) (6816)
[RE57604](#) (OD=271MM) (6811)



DEF TANK INLET SCREEN
[DZ114695](#) (3429) (3430) (3431) (3432) (3433)
 (3434) (3435) (3436) (3447)(3448) (3449)
 (3450) (3451) (3452) (3453) (3454) (974G)
 (974J) (974L)



DOSING UNIT PUMP FILTER
[DZ114640](#) (3315) (3316) (3317) (3318) (3327)
 (3328) (3335) (3336)) (3349) (3350)
 (3351) (3352) (3353) (3354) (3369)
 4500 hours of operation or every 36 months.



TANK HEADER SUCTION SCREEN

[DZ111004](#) (3419) (3420)(3421) (3422) (3423)
 (3424) (3425) (3426) (3427) (3428)(3429)
 (3430) (3431) (3432) (3433) (3434) (3435)
 (3436) (3448)



[DZ111166](#) (974G USE WITH [DZ113373](#))
 (974J USE WITH [DZ113377](#)) (974C USE
 WITH DZ103686)

[DZ110562](#)

(974G USE WITH [DZ113378](#))

(974J USE WITH [DZ110563](#))

1500 hours of operation or every 36 months.



DIESEL EXHAUST FLUID INLINE FILTER
[DZ124402](#) (3349) (3350) (3351) (3352) (3353)
 (3354) (3369)
 8000 Hours of Operation or every 36 months.



COMPLETE BLOCK ASSEMBLY

[DZ123558](#) With Auxiliary Drive OC 3638
[DZ123559](#) Without Auxiliary Drive OC 3639
 *Includes cylinder head with vales and rocker
 arm assembly, Balancer shafts, oil pump
 assembly, complete gasket kit with front and
 rear seals.

REMAN PARTS GUIDE

6068CI550 Power Tech PSS 6.8L Industrial OEM Engine (FT4)

STARTER

[SE502631](#) (REMAN FOR [RE523501](#))
(12V, 4.2 KW) (3073)
[SE502632](#) (REMAN FOR [RE523502](#))
(12 V) (3084)
[SE502558](#) (REMAN FOR [RE549229](#))
(12 V) (30AT)
[SE502823](#) (REMAN FOR [RE549230](#))
(24 V) (30AU)
[SE502736](#) (REMAN FOR [RE551644](#))
(24 V) (30AY)
[SE502733](#) (REMAN FOR [RE564633](#))
(24 V) (3090)



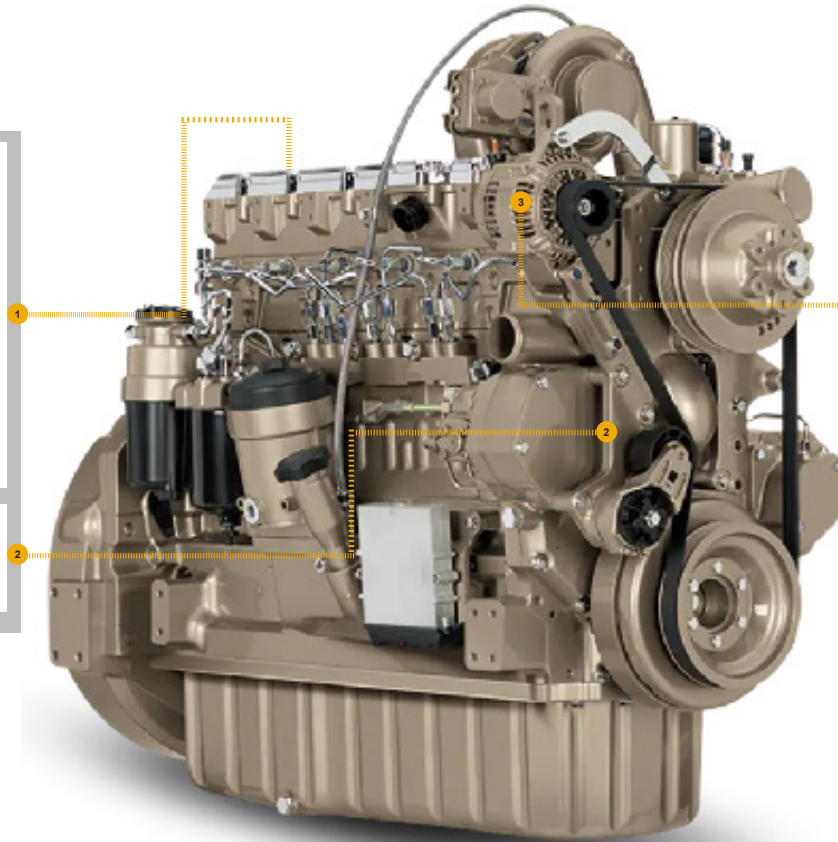
WATER PUMP

[SE502636](#) (REMAN FOR [RE539091](#)) (2050)



ALTERNATOR

[SE502560](#) (REMAN FOR [RE537507](#),
[DZ123153](#)) (12 V, 90 A) (31AE)
[SE502561](#) (REMAN FOR [RE537508](#))
12V, 120A (31AB)
[RM100162](#) (REMAN FOR [RE550906](#))
(12 V, 240A) (31AH)
[SE502680](#) (REMAN FOR [RE555751](#))
(12 V) (31AF)
[SE502563](#) (REMAN FOR [RE558676](#))
(24 V) (31AD)



JOHN DEERE
Genuine Parts and Service

*THIS PART IS NOT AVAILABLE IN ALL COUNTRIES - COMPLETE BLOCK ASSEMBLY.

CLICK PART NUMBER TO BUY

*See operator's manual for additional details.