

REPLACEMENT PARTS GUIDE

4045WG504 PowerTech EWS 4.5L Wirtgen Hamm OEM Engine (FT4/SV)



ALTERNATOR

[RE558678](#) (24 V, 150 A) (31AZ)



FUEL FILTER

[DZ115390](#) (35L7)

Replace 500 Hours of Operation or Every 12 Months.



OCV FILTER

[DZ105796](#) (29FT)



STARTER MOTOR

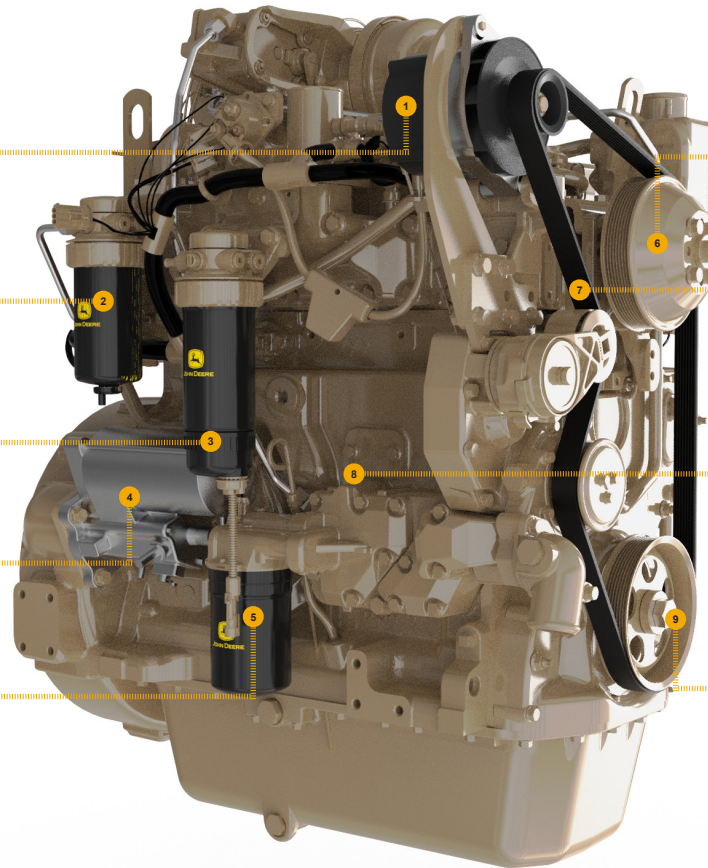
[DZ110082](#) (24 V, 4 KW) (3092)



OIL FILTER

[RE504836](#) (88BV)

Replace 500 Hours of Operation or Every 12 Months.



FAN PULLEY

[R128659](#) (OD = 159 mm) (8652)



FAN BELT

[DZ122223](#) (LGTH = 1630 mm) (24NB)

[DZ118556](#) (LGTH = 1630 mm) (24NB)



SHORT BLOCK ASSEMBLY

[DZ119980](#) (9901) Also Order Engine Gasket Kit, Dipstick Tube, Oil Pump, Cylinder Head Bolt Kit, (1) R121043 Valve, (1) R111137 Spring, Crank Wheel (If Applicable) And Parts From The Short Block Hardware Kit As Needed MARKED [R533833](#)



CRANKSHAFT PULLEY

[R503880](#) (OD = 189 mm) (1327)



CRANKSHAFT PULLEY WITH DAMPER

[RE505940](#) (OD = 173 mm) (6895)
(MARKED [RE505941](#))

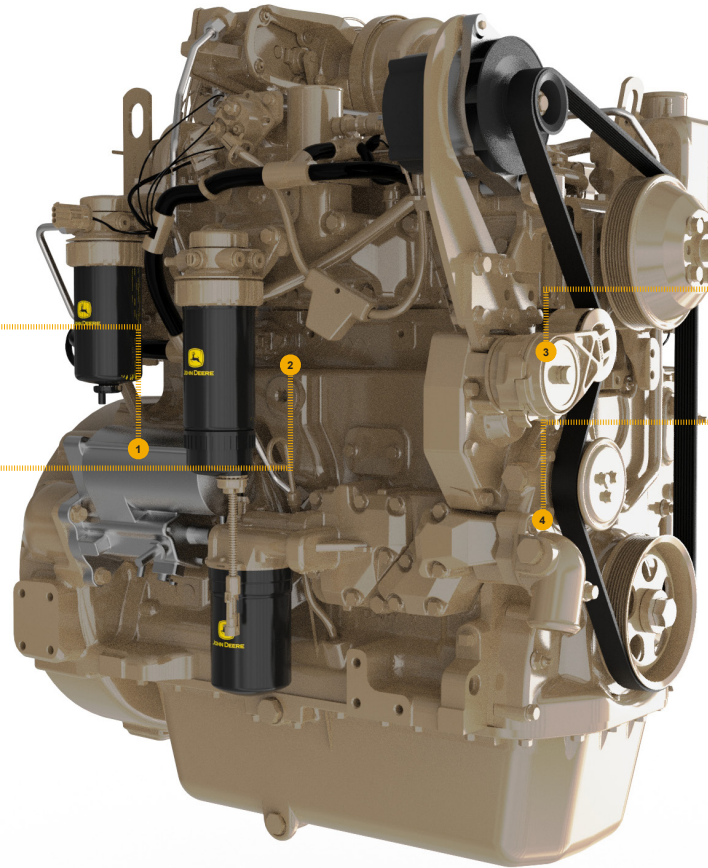


JOHN DEERE

Genuine Parts and Service

REMAN PARTS GUIDE

4045WG504 PowerTech EWS 4.5L Wirtgen Hamm OEM Engine (FT4/SV)



STARTER MOTOR



[SE502286](#) (REMAN FOR [DZ110082](#))
(ISKRA, 24 V, 4KW) (3092)

[SE501851](#) (REMAN FOR [DZ110081](#))
(ISKRA, 12 V, 3.4 KW) (9901)

CONNECTING ROD



[SE501094](#) (REMAN FOR [RE500608](#)) (48AR)

WATER PUMP



[SE501227](#) (REMAN FOR [RE546918](#)) (4435)

OIL PUMP



[SE501814](#) (REMAN FOR [DZ100057](#)) (5001)



JOHN DEERE
Genuine Parts and Service