

REPLACEMENT PART GUIDE

4045TI530 PowerTech EWX 4.5L Industrial OEM Engine (FT4/StageV)



STARTER

- [RE523501](#) (12 V) (3073)
- [DZ110081](#) (12 V, 3.4 KW) (3075)
- [RE523502](#) (12 V) (3084)
- [DZ110082](#) (24 V) (3092)
- [DZ110083](#) (24 V, 4 KW) (3096)
- [RE549229](#) (12 V) (30AT)
- [RE549230](#) (24 V) (30AU)
- [RE551645](#) (12 V) (30AX)
- [RE551644](#) (24 V) (30AY)
- [RE546860](#) (12 V) (30BQ)
- [RE546862](#) (12 V) (30BS)
- [RE546868](#) (12 V) (30BA)



FAN PULLEY

- [R128658](#) (OD= 140 mm) (8601) (8604) (8607)
- [R128660](#) (OD= 173 mm) (8602) (8605) (8608) (8632)
- [R128659](#) (OD= 159 mm) (8652)
- [R128662](#) (DIA=203 mm) (8612)



PRIMARY FUELFILTER

- [DZ128543](#) (35M3)
- 500hrs of operation or every 12 months.



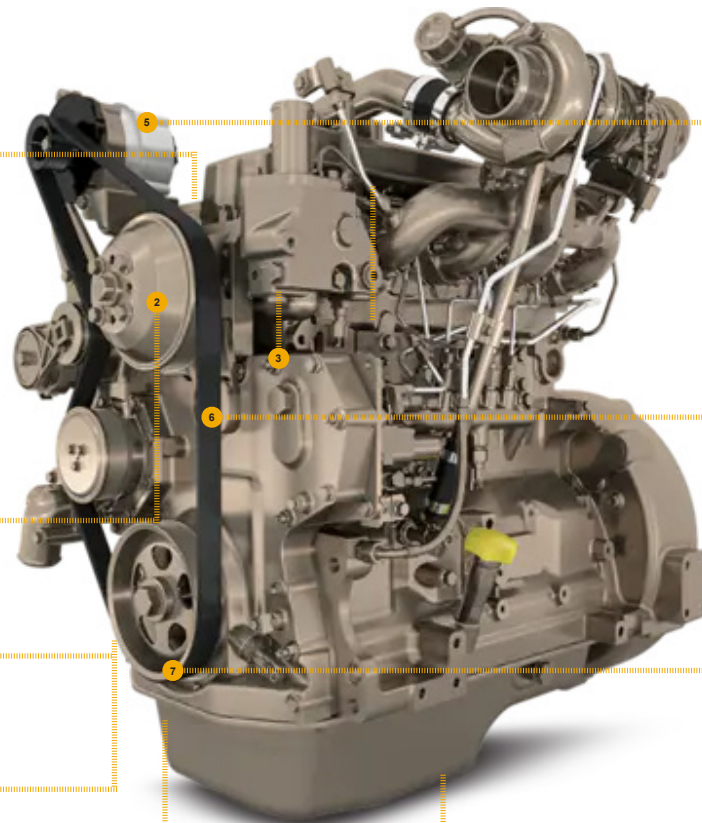
SECONDARY FUELFILTER

- [DZ115390](#) (35M3)
- 500hrs of operation or every 12 months.



OIL FILTER

- [RE504836](#) (8849) (8845) (8842) (880N)
- 500 hours of operation or every 12 months



ALTERNATOR

- [RE533516](#) (12 V; 75 A,) (3138)
- [RE533653](#) (12V; 95A; ISKRA) (3140)
- [RE533654](#) (12 V; 120 AMP) (3141)
- [RE537146](#) (28 V, 50 A; ISKRA) (3142)
- [AXE17691](#) (12V; 200 A) (3151)
- [AT387574](#) (24 V; 100 A) (3152)



FAN BELT

- [DZ115812](#) (LGTH = 1680 mm) (24EK)
- [T429109](#) (LGTH = 1660 mm) (24FN) (24GJ)
- [DZ119530](#) (LGTH = 1675 mm) (24GK)
- [DZ117268](#) (LGTH = 1530 mm) (24GP)
- [DZ118768](#) (LGTH = 1535 mm) (24GR)
- [T428712](#) (LGTH = 2400 mm) (24GS)
- [DZ119970](#) (LGTH = 1550 mm) (24HA)
- [DZ119014](#) (LGTH = 2335 mm) (24HL)



CRANKSHAFT PULLEY & DAMPER

- [R505567](#) (OD= 168 mm) (1328)
- [R545126](#) (OD= 173 mm) (1333)



CRANKCASE VENT FILTER

- [DZ105100](#) (29FD) (29FE)
- 1500 hours of operation



SHORT BLOCK ASSEMBLY

- [DZ109722](#)



JOHN DEERE
Genuine Parts and Service

CLICK PART NUMBER TO BUY

*See operator's manual for additional details.



REMAN PARTS GUIDE

4045TI530 PowerTech EWX 4.5L Industrial OEM Engine (FT4/StageV)

STARTER

- [SE501851](#) (REMAN FOR [DZ110081](#))
(12 V) (3075)
- [SE502286](#) (REMAN FOR [DZ110082](#))
(24 V, 4 KW) (3092)
- [SE501851](#) (REMAN FOR [RE507670](#))
(12 V) (3075)
- [SE502286](#) (REMAN FOR [RE522738](#))
(24V, 4 KW)
- [SE502631](#) (REMAN FOR [RE523501](#))
(12 V, 4.2 KW) (3073)
- [SE502632](#) (REMAN FOR [RE523502](#))
(12 V) (3084)
- [SE502558](#) (REMAN FOR [RE549229](#))
(12 V) (30AT)
- [SE502823](#) (REMAN FOR [RE549230](#))
(24 V) (30AU)
- [SE502736](#) (REMAN FOR [RE551644](#))
(24 V) (30AY)



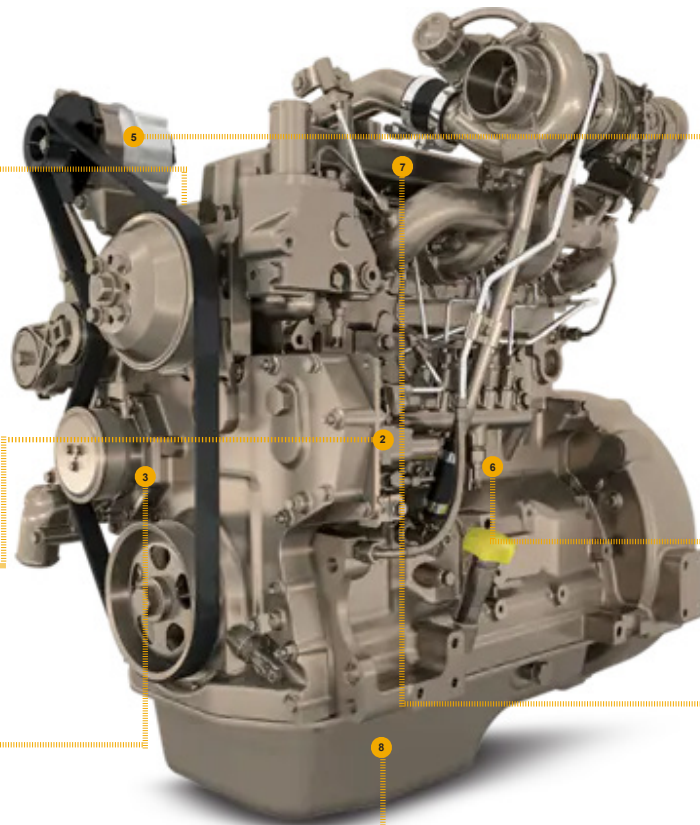
FUEL INJECTION PUMP

- [SE501915](#) (REMAN FOR [RE507959](#)) (16KS)



WATER PUMP

- [SE501609](#) (REMAN FOR [RE546906](#))
(4446) (4434) (4447) (4433)



ALTERNATOR

- [SE501342](#) (REMAN FOR [AH137883](#))
(12 V, 95 A) (3140)
- [SE501343](#) (REMAN FOR [AH165975](#))
(12 V, 120 A) (3141)
- [SE501341](#) (REMAN FOR [AT161324](#))
(24 V, 45 A) (3142)
- [SE501387](#) (REMAN FOR [AT161324](#))
(12V, 65 A) (3138)
- [SE501838](#) (REMAN FOR [AT387574](#))
(12 V, 100 A) (3152)
- [SE501826](#) (REMAN FOR [AXE17691](#))
(12 V, 200 A) (3151)
- [SE502626](#) (REMAN FOR [RE533516](#))
(12 V, 75 A) (3138)
- [SE502627](#) (REMAN FOR [RE533653](#))
(12 V, 95 A) (3140)
- [SE502628](#) (REMAN FOR [RE533654](#))
(12 V, 120 A) (3141)



CONNECTING ROD

- [SE501094](#) (REMAN FOR [RE500608](#)) (4838)



CYLINDER HEAD

- [SE501809](#) (REMAN FOR [RE532328](#)) (5168)



OIL PUMP

- [SE501814](#) (REMAN FOR [DZ100057](#))

