

REPLACEMENT PART GUIDE

4045SFM85 PowerTech PTP 4.5L OEM Marine Engine (Tier 3)



FAN BELT

[DZ118764](#) (LGTH = 1525 MM) (24KU)



OIL FILTER

[RE504836](#) (880V)

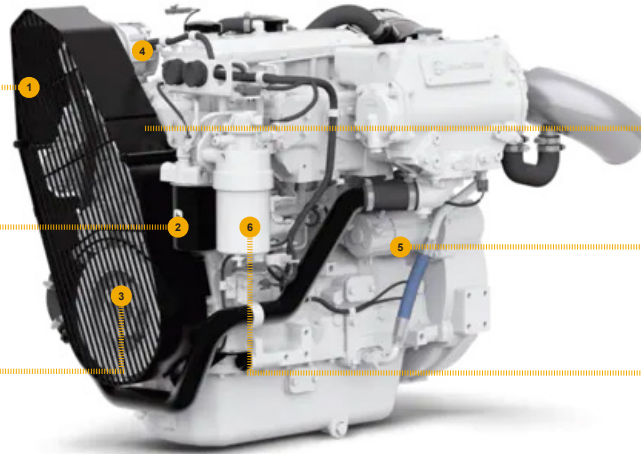
500 hrs of operation or every 12 months.



CRANKSHAFT PULLEY & DAMPER

[RE505881](#) (OD = 255 MM) (1324)

[RE505940](#) (OD = 264 MM) (1330)



ALTERNATOR

[RE540412](#) (14V, 75 A) (3148)

[RE540413](#) (28 V; 50 A) (3149)



STARTER

[RE564633](#) (24 V) (3090)

[RE536490](#) (12V, 4 KW) (30AG)



FUEL FILTER

[RE527961](#) (81F8)

500 hrs of operation or every 12 months.



SHORT BLOCK ASSEMBLY

[RE536966](#) (USE WITH LINER [DZ102399](#))

[DZ115535](#) (USE WITH LINER [DZ112590](#))




JOHN DEERE


Genuine Parts and Service


REMAN PARTS GUIDE

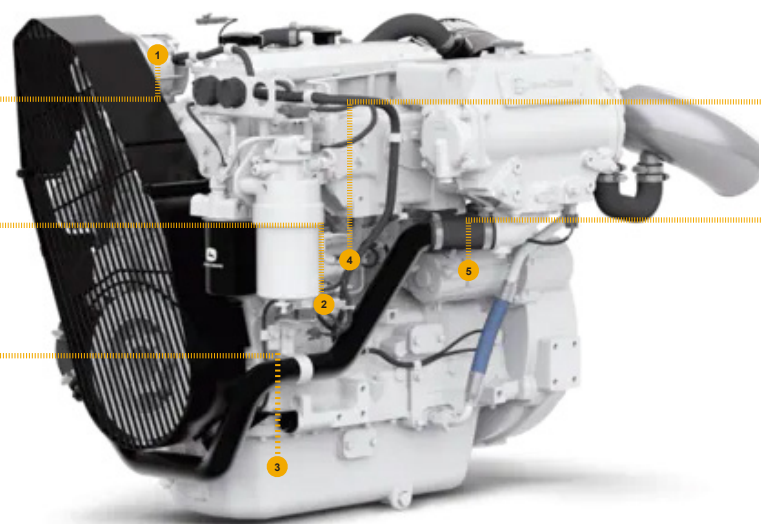
4045SFM85 PowerTech PTP 4.5L OEM Marine Engine (Tier 3)





 **ALTERNATOR**
[RM100226](#) (REMAN FOR [RE540412](#)) (3148)
(14V, 75A)

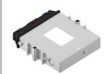
 **CONNECTING ROD**
[SE501094](#) (REMAN FOR [RE500608](#)) (4866)

 **OIL PUMP**
[SE501814](#) (REMAN FOR [DZ100057](#)) (5001)



 **FUEL INJECTION PUMP**
[SE501915](#) (REMAN FOR [RE507959](#)) (16GY)

 **STARTER**
[SE502733](#) (REMAN FOR [RE564633](#)) (24V)
(3090)

 **CONTROLLER**
[SE502800](#) (REMAN FOR [RE531808](#)) (16GY)

