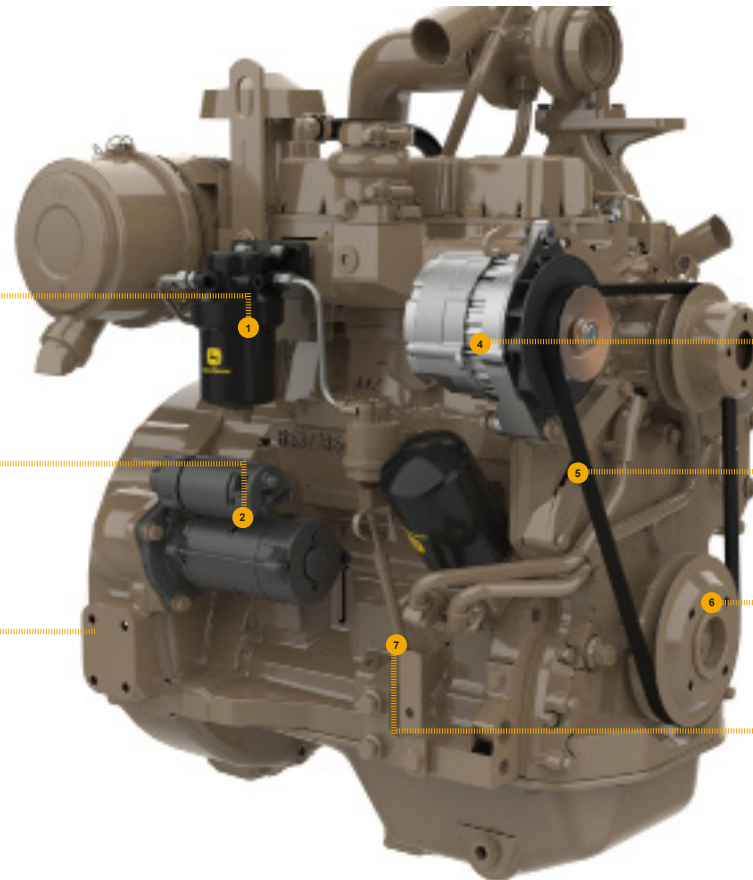




REPLACEMENT PART GUIDE

Power Unit 2.9L 3029HFU89 OEM Gen Set (IT4 Engine)



FUEL FILTER

[RE62418](#) (35C4)

500 Hours of Operation or Every 12 Months.



STARTER

[RE546868](#) (12 V, 3.2 KW) (30BA)

[RE552251](#) (3.5 KW; 24 V) (30CA)



OIL FILTER

[RE519626](#) (5926)

500 Hours of Operation or Every 12 Months.



ALTERNATOR

[RE544045](#) (28 V; 50 A) (3131)

[RE509106](#) (14V, 65 A) (3132)



FAN BELT

[T24473](#) (LGTH=1295 mm) (2402)



CRANKSHAFT PULLEY & DAMPER

[R505567](#) (OD = 173 mm) (1328)



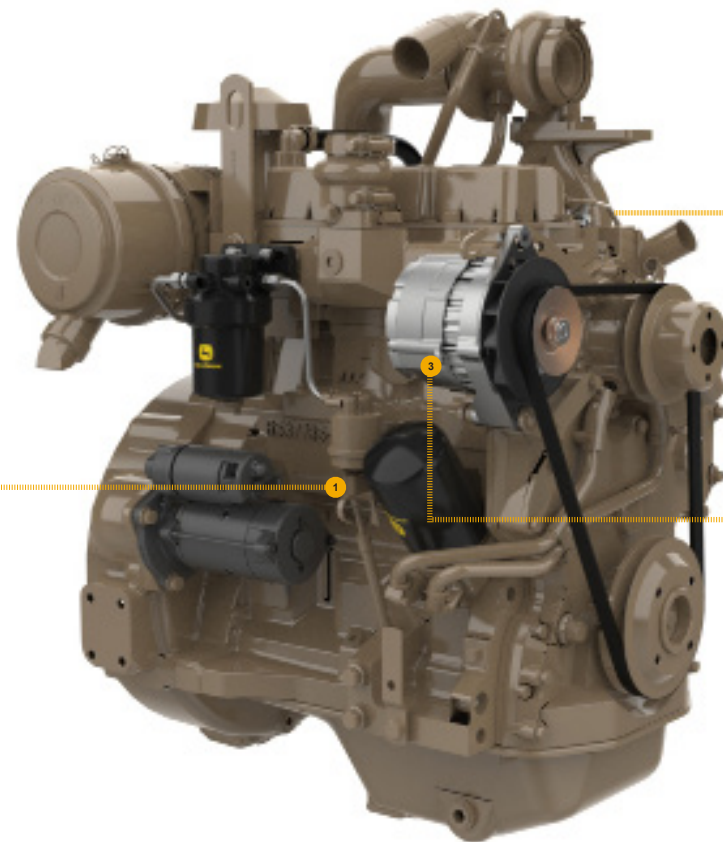
SHORT BLOCK ASSMEBLY

[DZ109713](#)



REMAN PARTS GUIDE

Power Unit 2.9L 3029HFU89 OEM Gen Set (IT4 Engine)



CONNECTING ROD

[SE501571](#) (REMAN FOR [RE501674](#)) (4813)



INJECTION NOZZLE

[SE501177](#) (REMAN FOR [RE515684](#)) (16RM)
(16RH) (16RG) (16RF)



ALTERNATOR

[SE501835](#) (REMAN FOR [RE509106](#))
(12V, 65A) (3132)



JOHN DEERE
Genuine Parts and Service