



# REPLACEMENT PART GUIDE

## Power Tech 13.5L 6135AFM85 Marine Engine



### PRIMARY FUEL FILTER

[RE539465](#) (3536)

[RE539465](#) (3545)

500 Hours of Operation or Every 12 Months.



### SECONDARY FUEL FILTER

[DZ112918](#) (3536) (3545)

500 Hours of Operation or Every 12 Months.



### CRANKCASE VENT SYSTEM OCV FILTER

[RE530346](#) (2914)

1500 Hours of Operation



### OIL FILTER

[RE572785](#) (5931)

500 hrs of operations or every 12 months.



### STARTER

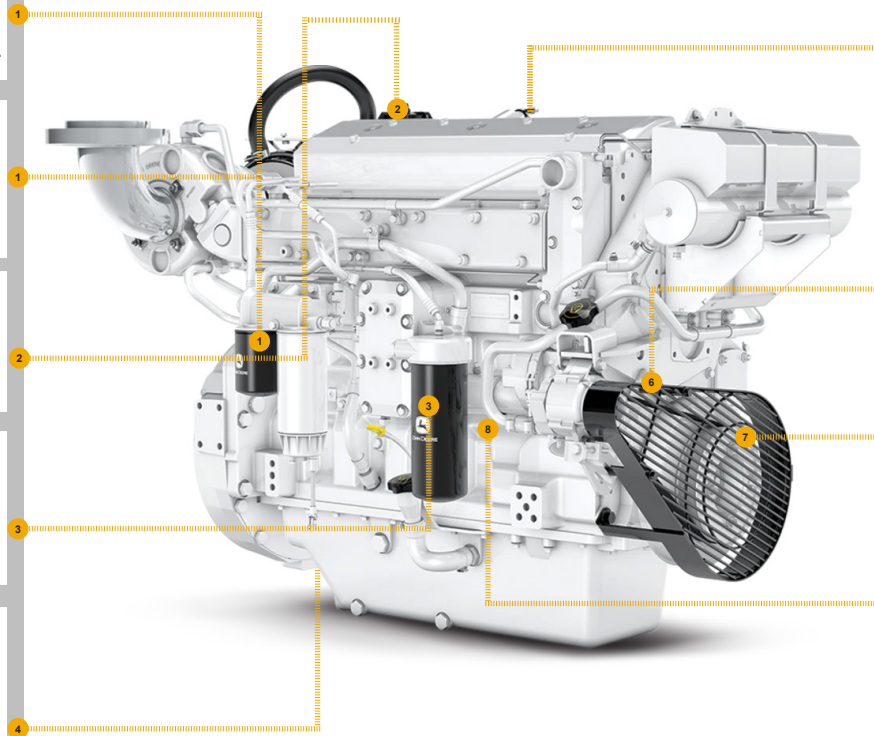
[RE515843](#) (12 V) (3008)

[RE539584](#) (12 V) (3012)

[RE540886](#) (3014)

[RE555916](#) (12 V) (3016)

[RE555915](#) (24 V) (3017)



### ALTERNATOR

[RE500226](#) (12 V, 140 A) (3107)

[RE65414](#) (24 V, 60 A) (3108)

[RE500227](#) (12 V, 90 A) (3110)

[RE551447](#) (28 V, 100 A) (3159)

[RE551448](#) (14 V, 150 A) (31ZZ)



### FAN BELT

[DZ118775](#) (LGTH=1310 mm) (2440)

[DZ118775](#) (LGTH=1310 mm) (2496)



### CRANKSHAFT PULLEY & DAMPER

[RE527741](#) (OD = 241 mm) (1341)

[RE530733](#) (OD = 351 mm) (6802)



### SHORT BLOCK ASSEMBLY

[DZ114431](#)



**JOHN DEERE**  
Genuine Parts and Service

# REMAN PARTS GUIDE

## Power Tech 13.5L 6135AFM85 Marine Engine



### STARTER



- [SE501862](#) (REMAN FOR [RE515843](#)) (12 V) (3008)
- [SE501874](#) (REMAN FOR [RE539584](#)) (12 V) (3012)
- [SE502679](#) (REMAN FOR [RE540886](#)) (3104)

### CYLINDER HEAD



- [SE502698](#) (REMAN FOR [RE520563](#)) (5107)

### CONTROLLER

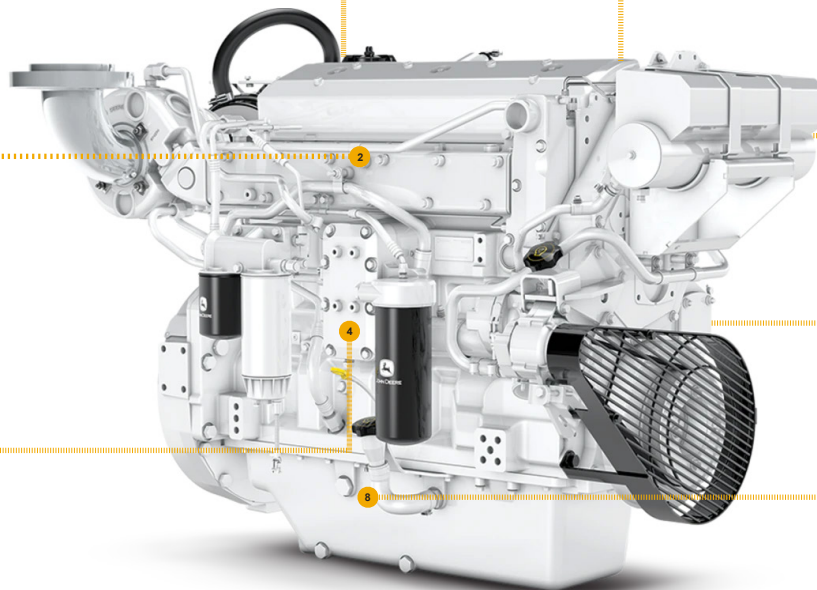


- [SE502948](#) (REMAN FOR [RE520954](#)) (8442) (8463)

### CONNECTING ROD



- [SE502276](#) (REMAN FOR [RE535966](#)) (4803)



### ALTERNATOR



- [SE501839](#) (REMAN FOR [RE500226](#)) (12 V, 140 A) (3107)
- [SE501836](#) (REMAN FOR [RE500227](#)) (12 V, 90 A) (3110)
- [SE501842](#) (REMAN FOR [RE65414](#)) (24 V, 60 A) (3108)

### ELECTRONIC FUEL INJECTOR



- [RM100251](#) (REMAN FOR [DZ121294](#)) (1676)

### WATER PUMP



- [SE501593](#) (REMAN FOR [RE549117](#)) (2007)

### OIL PUMP



- [SE501594](#) (REMAN FOR [RE527933](#)) (5002)