

8900A PrecisionCut™ Large-Area Reel Mowers



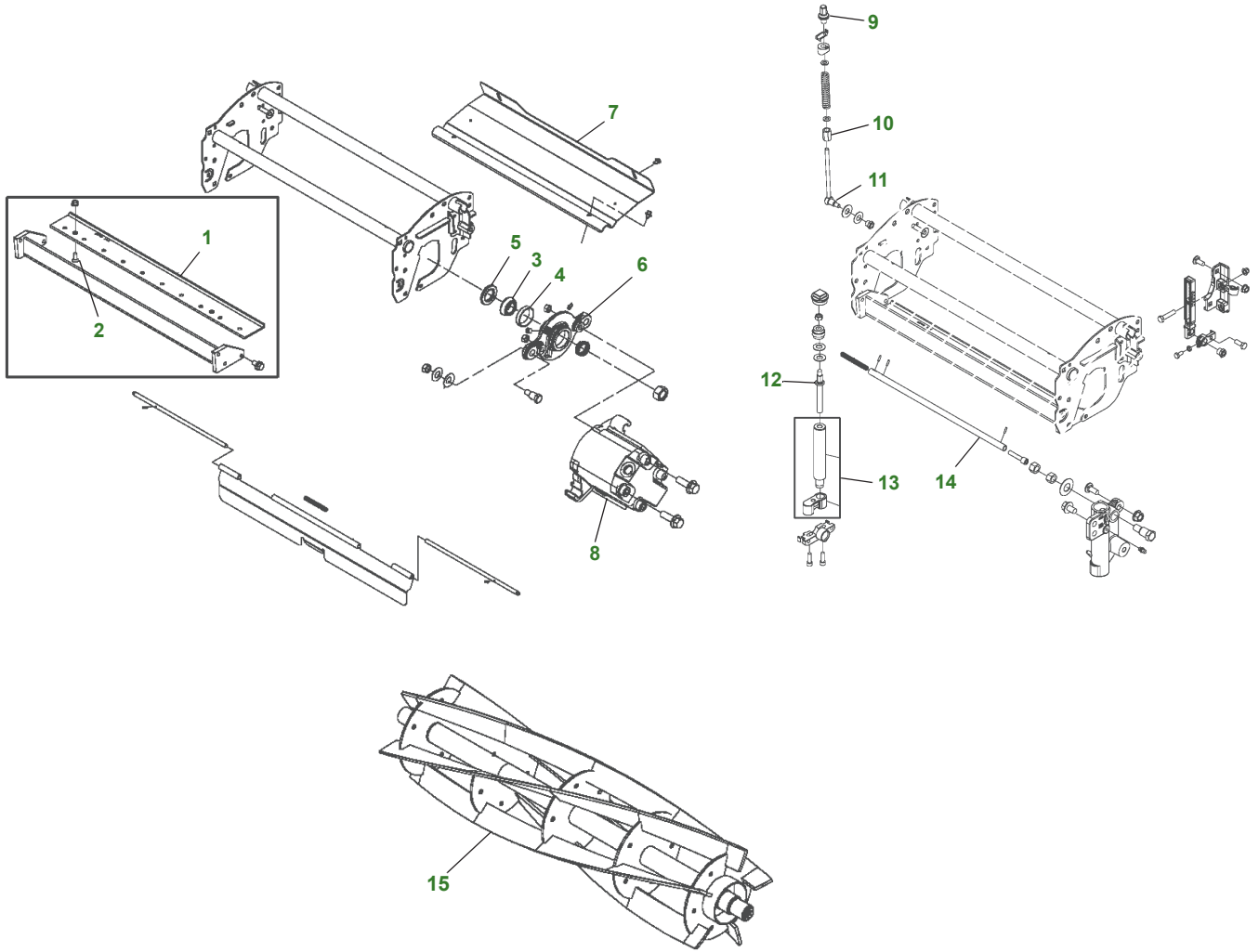
Key	Part No.	Description	Key	Part No.	Description
1	M806419OIL FILTER ELEMENT - ENGINE	9	TCA22740SWITCH (S/N - 040000)
2	RE69054HYDRAULIC FILTER		AUC15805SWITCH (S/N 040001 -)
3	RE68048AIR FILTER ELEMENT - PRIMARY	10	TCA24601FILLER CAP
4	RE68049AIR FILTER ELEMENT - SECONDARY	11	TCU38089BELT - FAN - NON TIER 4
5	MIU800645FUEL FILTER - NON TIER 4		TCU30780BELT - FAN - TIER 4
	MIU803127FUEL FILTER - FINAL - TIER 4	12	M811034THERMOSTAT
6	M811032FUEL SEPARATOR ELEMENT - NON TIER4	13	CH15516WATER TEMP SWITCH - NON TIER 4
7	MCYP25876WET CHARGED BATTERY - NOT FOR CANADA AND USA		MIU801119WATER TEMP SWITCH - TIER 4
	TY25876B WET CHARGED BATTERY - FOR CANADA AND USA	14	TCA23641TIE ROD END
8	AUC12681KEY	15	MIU802421FUEL SEPARATOR ELEMENT - TIER 4

Parts Needed in First 500 hours of Operation

Qty	Part No.	Item	Qty or Capacity	Interval In Hours
2	M806419	Engine Oil Filter	1	250/500
12	TY26674	Plus-50™ II 15W-40 Engine Oil	5.7 L (6 qt)	250/500
1	RE69054	Hydraulic Oil Filter	1	50
1	MIU800645	Fuel Filter - Non Tier 4	1	500
1	MIU803127	Fuel Filter - Final - Tier 4	1	500
1	RE68048	Air Filter Element - Primary	1	500
1	RE68049	Air Filter Element - Secondary	1	500
1	TY25083	John Deere Special Purpose Golf and Turf Cutting Unit Grease (Cutting Unit and Cutting Unit Attachments)		As Needed
1	TY6341	John Deere Multi-Purpose SD Polyurea Grease (Machine components, lift arms and rollers)		As Needed

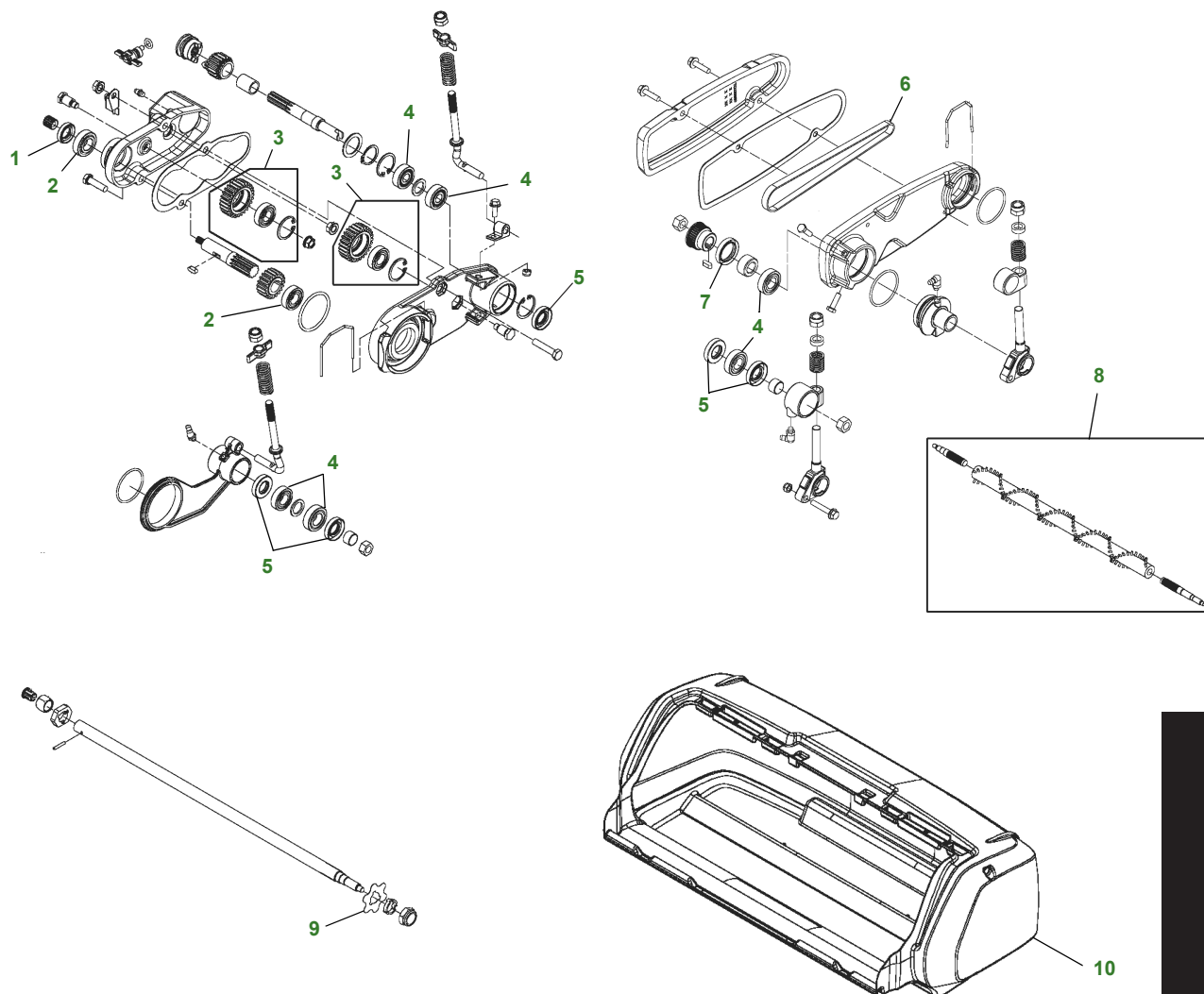
*Refer to Operators Manual for service intervals if using BioDiesel Fuel and Bio Hy-Gard.

8900A PrecisionCut™ Reel Cutting Unit



Key	Part No.	Description	Key	Part No.	Description	
1	UC23481	BEDKNIFE - STANDARD - 26 in.	8	TCA24541	CUTTING UNIT MOTOR	
	TCU34070	BEDKNIFE - LESS AGGRESSIVE HARDENED INSERT - 26 in		TCA19115	CUTTING UNIT MOTOR SEAL KIT	
	UC23566	BEDKNIFE - TOURNAMENT - 26 in.		9	UC16137	ADJUSTER
	UC23564	BEDKNIFE - STANDARD - 30 in.		10	TCU26315	ADJUSTER
	UC11472	BEDKNIFE - LOW CUT - 30 in.		11	TCU25317	ADJUSTER
2	19M7573	SCREW - M8 - (12)	12	TCU26123	ADJUSTER	
	JD8933	BEARING CONE	13	AUC13597	ADJUSTER	
3	JD8253	BEARING CUP	14	TCU29056	TUBE - 26 in.	
	TCU25266	SEAL		TCU26741	TUBE - 30 in.	
6	UC13937	BEARING HOUSING W/O BEARINGS - LH	15	TCA19355	REEL - 5-BLADE - 26 in. - USE W/BM22465	
	UC13941	BEARING HOUSING W/O BEARINGS - RH		TCA19357	REEL - 5-BLADE - 30 in. - USE W/BM22467	
7	TCA19174	SHIELD - 26 in.		TCA19356	REEL - 8-BLADE - 26 in. - USE W/BM22466	
	TCA19175	SHIELD - 30 in.		TCA19358	REEL - 8-BLADE - 30 in. - USE W/ BM22468	
					AUC10717	REEL - 10 BLADE - 26 in.

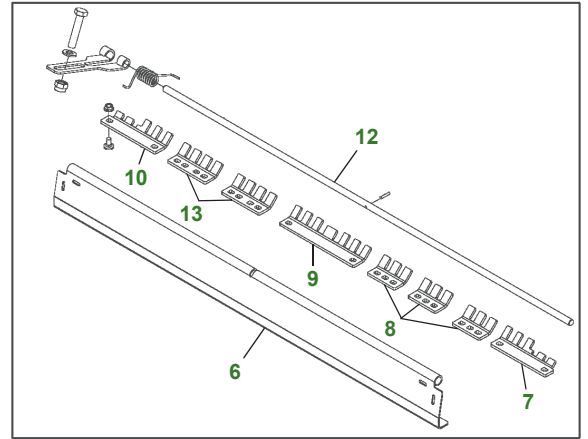
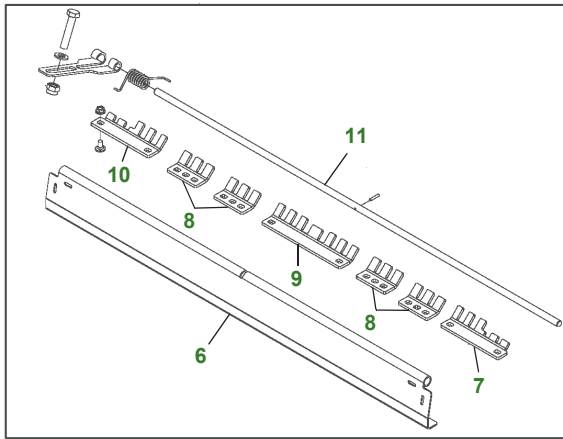
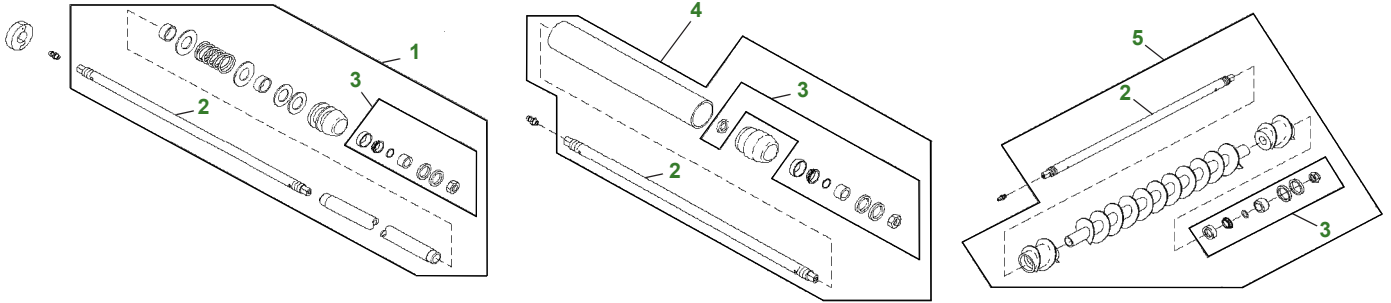
8900A PrecisionCut™ Cutting Unit, FTC, Rear Brush and Grass Catcher



Key	Part No.	Description
1	MT2622SEAL
2	JD8653BALL BEARING
3	TCA17898IDLER GEAR
4	TCU24834BALL BEARING
5	MT6828SEAL
6	TCU32423SYNCHRONOUS BELT

Key	Part No.	Description
7	TCU24983SEAL
8	TCA18668REAR BRUSH KIT
9	MT2624KNIFE
10	BTC10718GRASS CATCHER - 26 in.

8900A PrecisionCut™ Cutting Unit Rollers and Scrapers



Fairway Mowers

Key	Part No.	Description	Key	Part No.	Description
1	BM25318	ROLLER - GROOVED - 26 in.	6	TCU27070	SCRAPER - 30 in.
	BM25319	ROLLER - GROOVED - 30 in.		TCU27069	SCRAPER - 26 in.
2	ET17514	SHAFT - 26 in.	7	MT5159	SCRAPER (RH)
	MT1986	SHAFT - 30 in.	8	MT2342	SCRAPER (4) - 26 in.
3	AET10632	SEAL KIT		MT2342	SCRAPER (3) - 30 in.
4	BM17671	ROLLER - SMOOTH - 26 in.	9	MT2340	SCRAPER
	BM18439	ROLLER - SMOOTH - 30 in.	10	MT5158	SCRAPER (LH)
5	BM19818	ROLLER - SPIRAL - 26 in.	11	ET17758	ROD - 26 in.
	BM19819	ROLLER - SPIRAL - 30 in.	12	MT1982	ROD - 30 in.
	AMT1287	ROLLER - SPRIAL GROOVED END CAPS - 26 in.	13	MT2341	SCRAPER (2) - 30 in.
	AMT1288	ROLLER - SPRIAL GROOVED END CAPS - 30 in.			