

8000 E-Cut™ Hybrid Mower



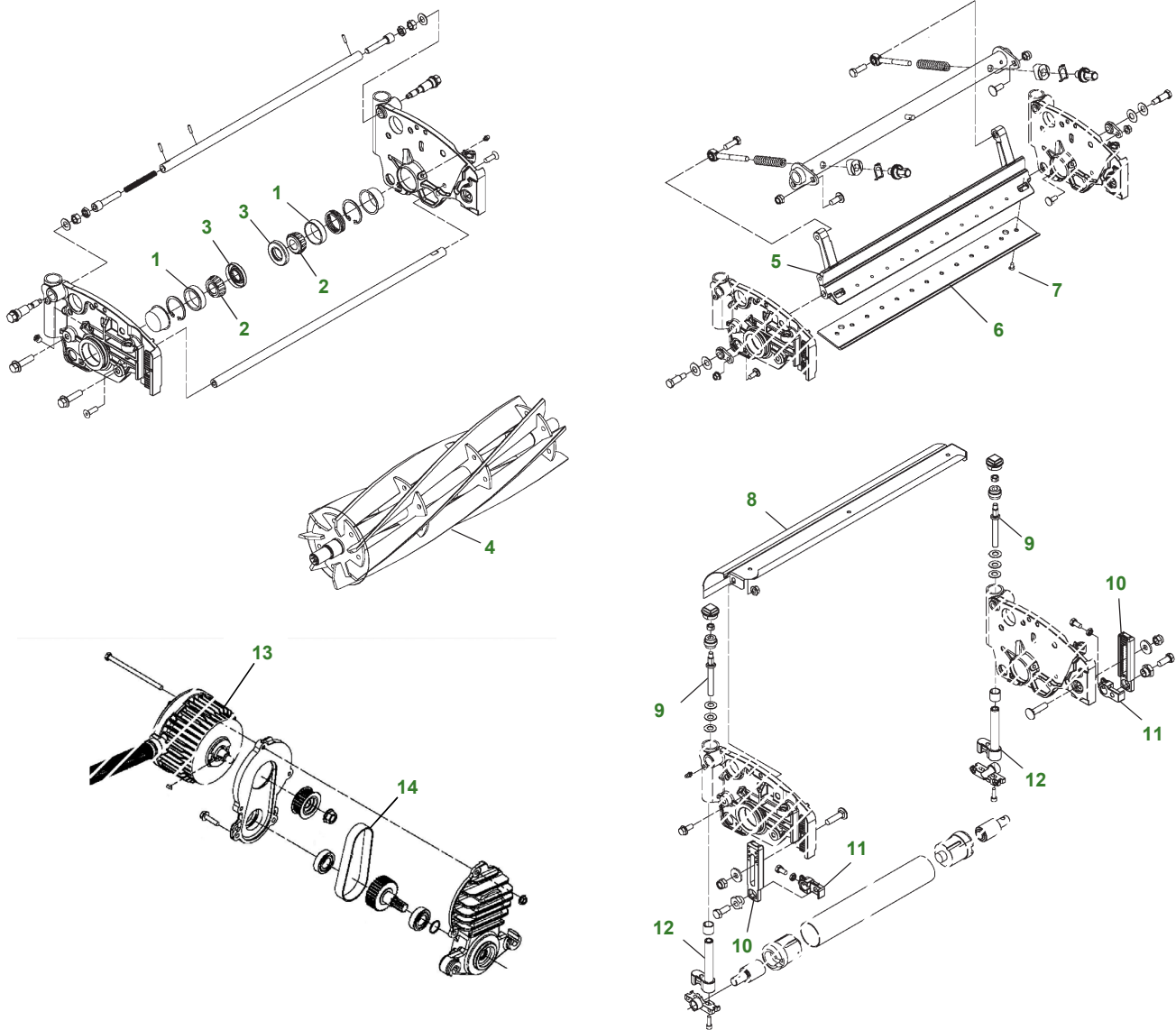
Fairway Mowers

Key	Part No.	Description	Key	Part No.	Description
1	M806419OIL FILTER ELEMENT - ENGINE	9	TCA22740ROTARY SWITCH (S/N -040000)
2	RE69054HYDRAULIC FILTER		AUC15805ROTARY SWITCH (S/N 040001-)
3	RE68048AIR FILTER ELEMENT - PRIMARY	10	TCA24601FILLER CAP
4	RE68049AIR FILTER ELEMENT - SECONDARY	11	TCU38089BELT - FAN - NON TIER 4
5	MIU800645FUEL FILTER - NON TIER 4		TCU30780BELT - FAN - TIER 4
	MIU803127FUEL FILTER - TIER 4	12	M811034THERMOSTAT
6	M811032FUEL SEPARATOR ELEMENT - NON TIER 4	13	CH15516WATER TEMP SENSOR - NON TIER 4
7	TY25876BWET CHARGED BATTERY		MIU801119WATER TEMP SENSOR - TIER 4
8	AUC12681KEY - IGNITION	14	AXE27435SELENOID VALVE COIL

Parts Needed in First 500 hours of Operation

Qty	Part No.	Item	Capacity	Interval In Hours
3	M806419	Engine Oil Filter	1	50/200/400
18	TY26674	Plus-50™ II 15W-40 Engine Oil	5.7 L (6 qt)	50/200/400
1	MIU800645	Fuel Filter - Non Tier 4	1	500
	MIU803127	Fuel Filter - Tier 4		
1	RE68048	Air Filter - Primary	1	500
1	RE68049	Air Filter - Secondary	1	500
2	RE69054	Hydraulic Filter	1	50/500
20	TY6354	Hy-Gard™ Hydraulic Oil	37.8L (10 gal)	50/500
20	TY26252	Bio Hy-Gard™ II Hydraulic Oil	37.8L (10 gal)	50/250
1	MCAN102562	John Deere Special Purpose Golf and Turf Cutting Unit Grease (Cutting Unit and Cutting Unit Attachments)		As Needed
1	TY6341	John Deere Multi-Purpose SD Polyurea Grease (Machine components, lift arms and rollers)		As Needed

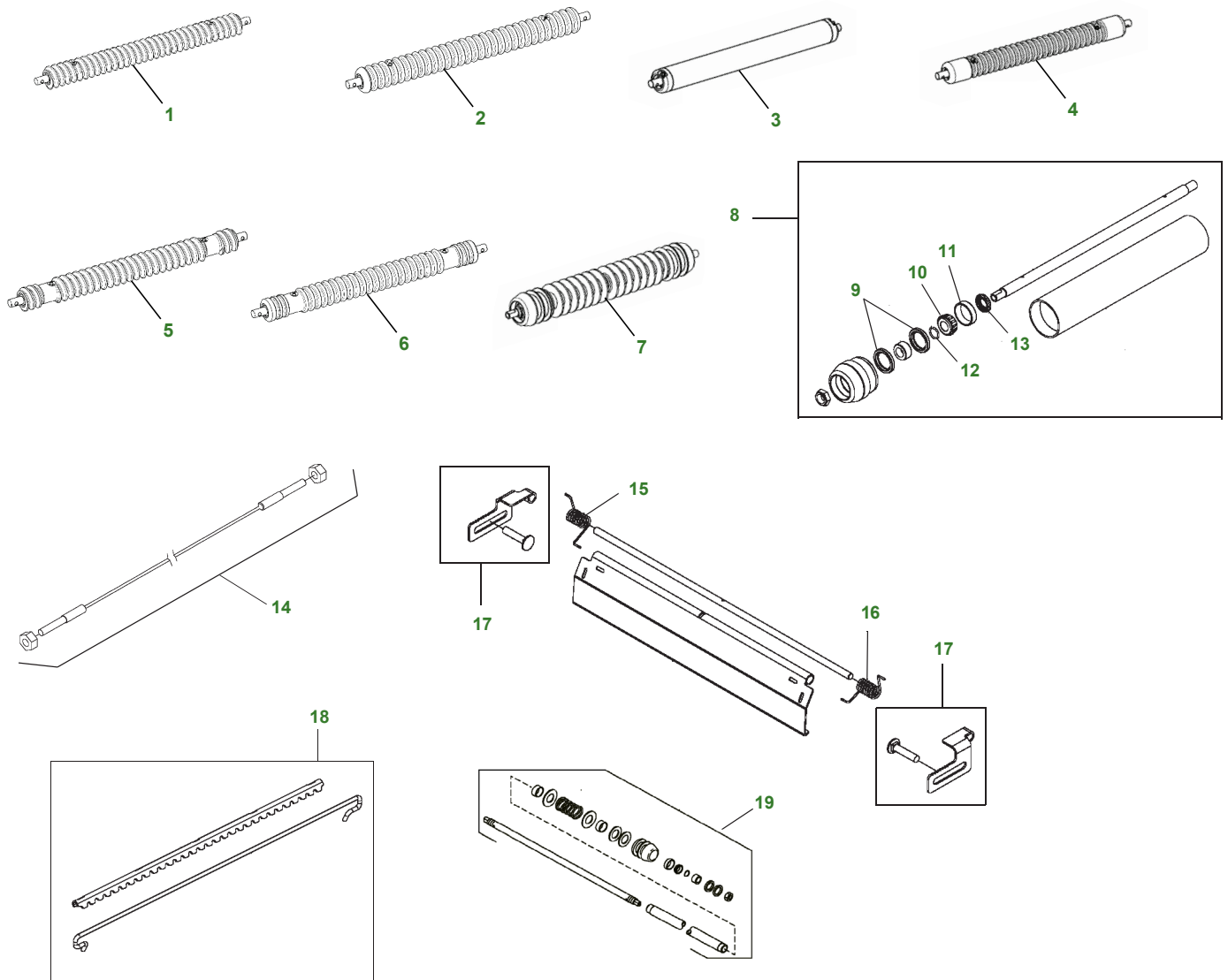
8000 E-Cut™ Hybrid Reel Cutting Unit



Fairway Mowers

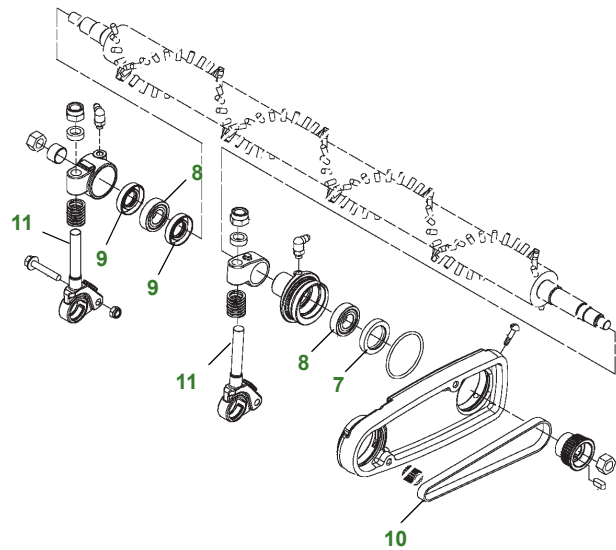
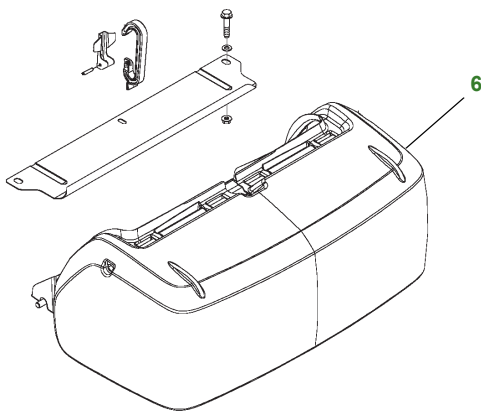
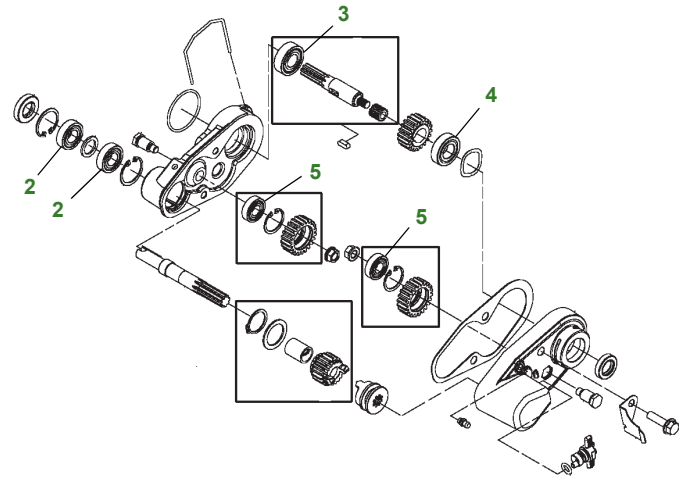
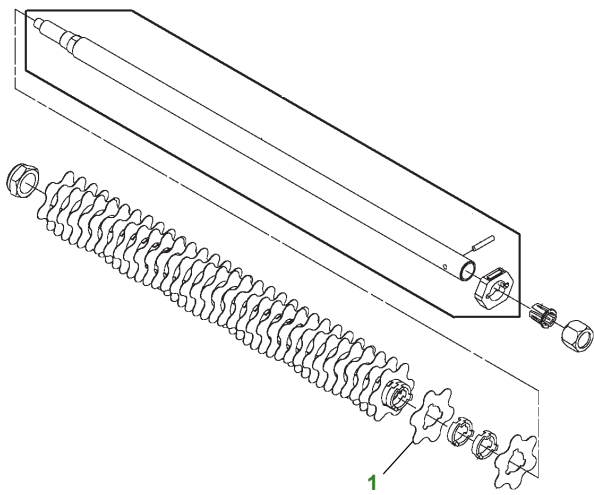
Key	Part No.	Description	Key	Part No.	Description
1	JD8226	BEARING CUP	7	21M7194	SCREW
2	JD8188	BEARING CONE	8	TCA18643	SHIELD
3	ET14566	SEAL	9	TCU24328	ADJUSTER
4	TCA19348	REEL - 7-BLADE	10	UC16108	BRACKET
	TCA19349	REEL - 11-BLADE	11	UC18211	BRACKET RH (IF USING FTC / GTC)
	TCA23622	REEL - 14-BLADE			BRACKET LH (IF NO FTC / GTC)
5	TCU35967	SHOE		UC16109	BRACKET LH (IF USING FTC / GTC)
6	UC23445	BEDKNIFE - FAIRWAY - HIGH CUT- 7.6 mm			BRACKET RH (IF NO FTC / GTC)
	UC18877	BEDKNIFE - 2.5 mm TOURNAMENT	12	AUC13512	ADJUSTER
	UC28157	BEDKNIFE - FAIRWAY - 4.8 mm	13	AUC10826	CUTTING UNIT MOTOR - 60 in. WIRING HARNESS
	UC28164	BEDKNIFE - LOW-CUT - 2 mm	14	TCU33535	SYNCHRONOUS BELT
	TCU36878	BEDKNIFE - HARDENED LESS AGGRESSIVE LOW-CUT			

8000 E-Cut™ Hybrid Cutting Unit Rollers



Key	Part No.	Description	Key	Part No.	Description
1	BM22879	ROLLER - SPIRAL GROOVED (2 in.)	10	JD8188	BEARING CONE
2	BM22868	ROLLER - GROOVED FRONT (2 in.)	11	JD8226	BEARING CUP
3	BM24203	ROLLER - HOLLOW SMOOTH (2 in.)	12	U46731	O-RING
	AMT2981	ROLLER - MACHINED SMOOTH SOLID (2 in.)	13	MT739	SEAL
4	AMT2979	ROLLER - MACHINED GROOVED SOLID - WITH SOLID END CAPS (2 in.)	14	BM23015	CABLE (SMOOTH ROLLER SCRAPER)
5	BM23567	ROLLER - MACHINED SPIRAL (2 in.)	15	TCU27037	TORSION SPRING - LH
6	BTC10281	ROLLER - MACHINED GROOVED (2 in.)	16	TCU27036	TORSION SPRING - RH
7	BM25316	ROLLER - GROOVED DISK (3 in.)	17	TCA19597	KIT - MOUNTING
8	TCA19509	ROLLER - SMOOTH (3 in.)	18	TCA19585	SCRAPER - GROOVED 18 in. X 2 in.
9	ET15755	SEAL	19	BM25316	ROLLER - GROOVED DISK (3 in.)

8000 E-Cut™ Hybrid FTC, Rear Brush and Grass Catcher



Key	Part No.	Description	Key	Part No.	Description
1	MT2624	KNIFE	7	TCU24983	SEAL
2	TCU24834	BALL BEARING	8	TCU24834	BALL BEARING USE W/ BM22527
3	M802355	BEARING		UC14112	BALL BEARING USE W/ BTC10767
4	JD8653	BALL BEARING	9	MT6828	SEAL
5	ET16027	BALL BEARING	10	TCU32422	SYNCHRONOUS BELT
6	BTC10716	GRASS CATCHER - LOW PROFILE	11	TCU24826	BRACKET