

7500 E-Cut™ Hybrid Lightweight Fairway Mower



Key	Part No.	Description	Key	Part No.	Description
1	M806419OIL FILTER ELEMENT - ENGINE	11	TCU38089BELT - FAN - NON TIER 4
2	RE69054HYDRAULIC FILTER		TCU30780BELT - FAN - TIER 4
3	RE68048AIR FILTER ELEMENT - PRIMARY	12	M811034THERMOSTAT
4	RE68049AIR FILTER ELEMENT - SECONDARY	13	CH15516WATER TEMP SWITCH - NON TIER 4
5	MIU800645FUEL FILTER - NON TIER 4		MIU801119WATER TEMP SWITCH - TIER 4
	MIU803127FUEL FILTER - FINAL - TIER 4	14	TCA23641TIE ROD END
6	M811032FUEL SEPARATOR ELEMENT - NON TIER 4	15	MIU802421FUEL SEPARATOR ELEMENT - TIER 4
7	TY25876B WET CHARGED BATTERY	16	AXE27435SELENOID VALVE COIL - BRAKE / HYDRAULIC
8	AUC12681KEY			
9	TCA22740SWITCH			
10	TCA24601FILLER CAP			

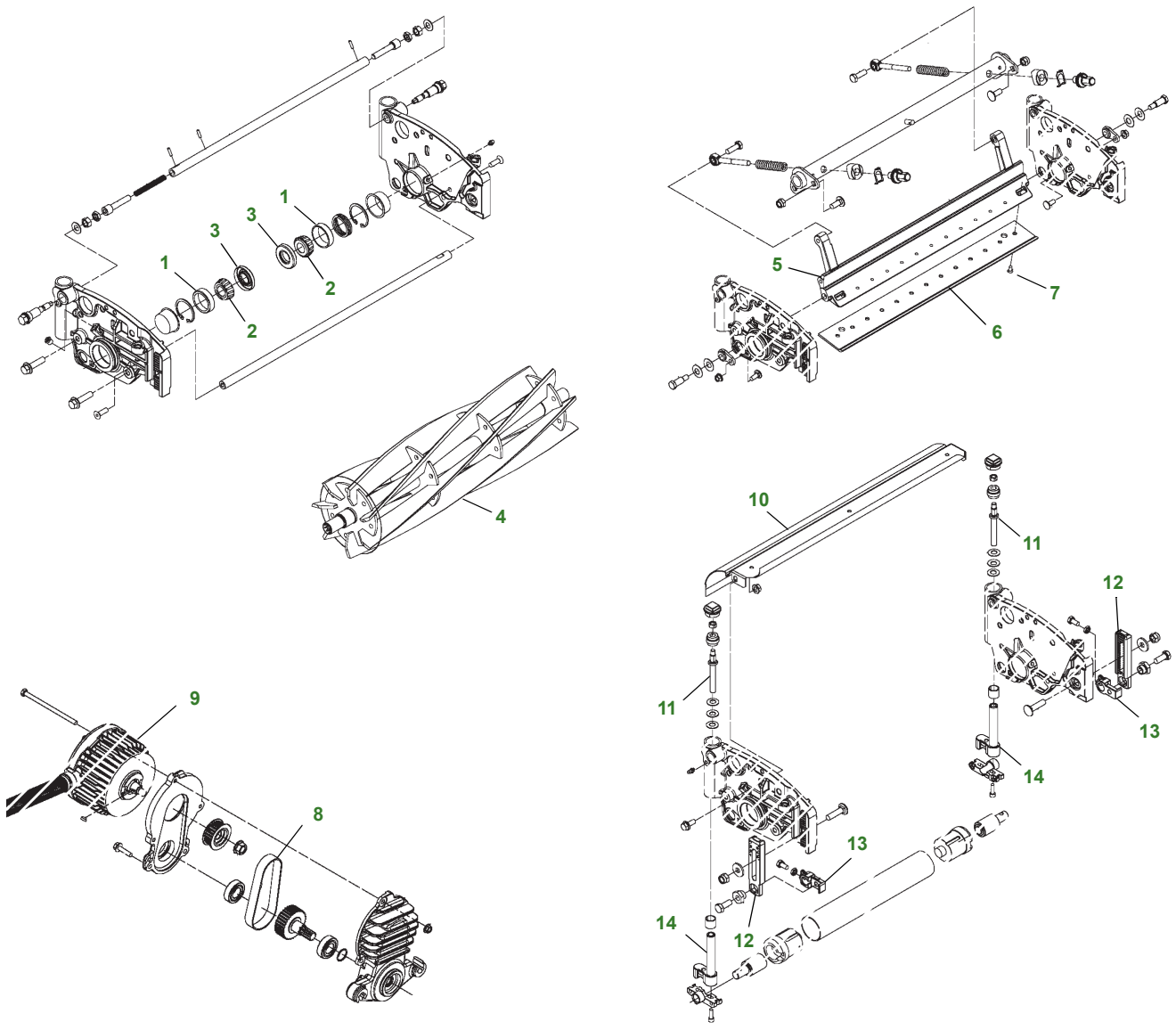
Parts Needed in First 500 hours of Operation

Qty	Part No.	Item	Qty or Capacity	Interval In Hours
2	M806419	Engine Oil Filter	1	50/200
12	TY26674	Plus-50™ II 15W-40 Engine Oil	5.7 L (6 qt)	50/200
1	RE69054	Hydraulic Oil Filter	1	50
1	MIU800645	Fuel Filter - Non Tier 4	1	500
1	MIU803127	Fuel Filter - Final - Tier 4	1	500
1	MCAN102562	John Deere Special Purpose Golf and Turf Cutting Unit Grease (Cutting Unit and Cutting Unit Attachments)		As Needed
1	TY6341	John Deere Multi-Purpose SD Polyurea Grease (Machine components, lift arms and rollers)		As Needed

*Refer to Operators Manual for service intervals if using BioDiesel Fuel and Bio Hy-Gard.

Fairway Mowers

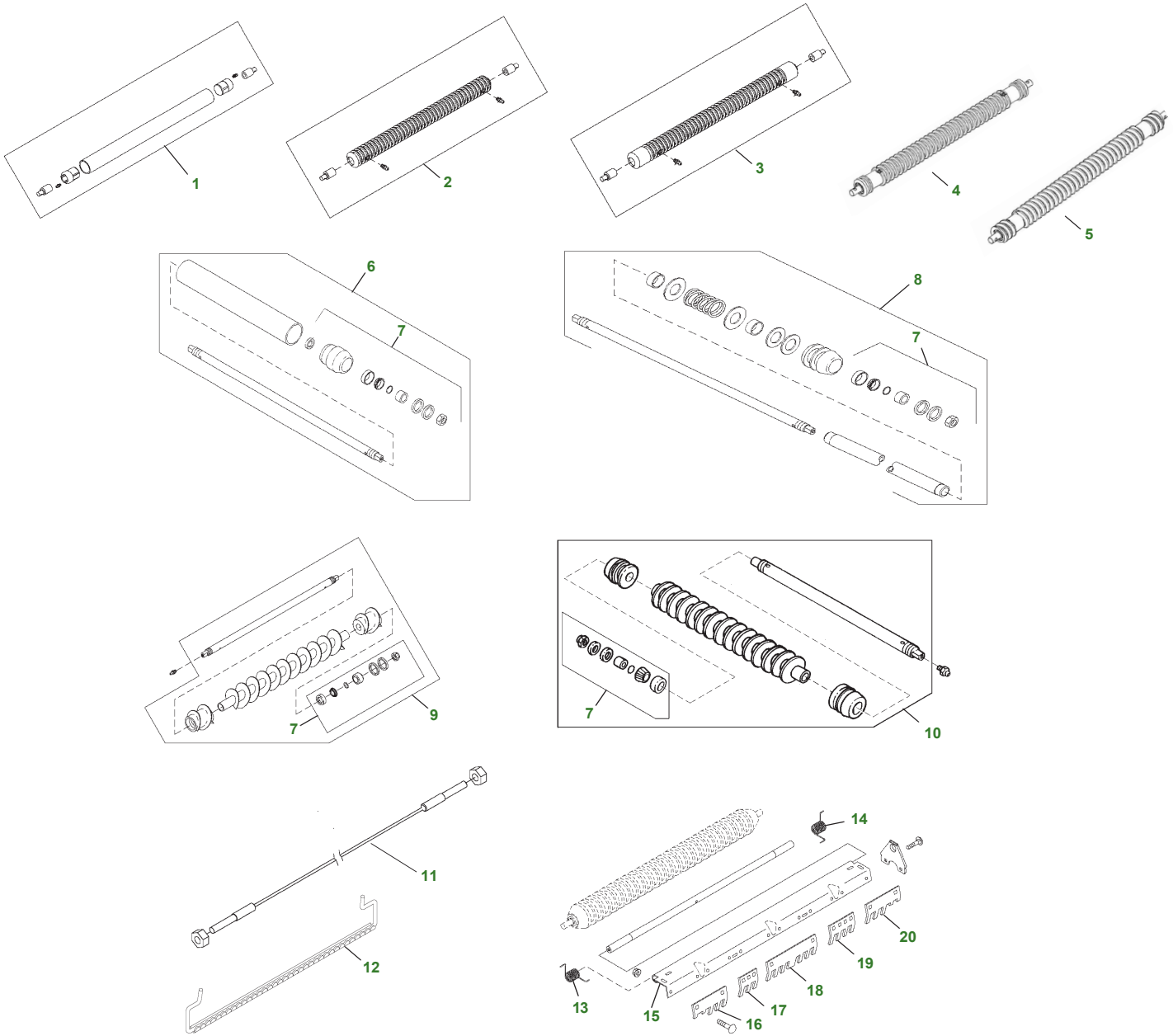
7500 E-Cut™ Hybrid Reel Cutting Unit



Fairway Mowers

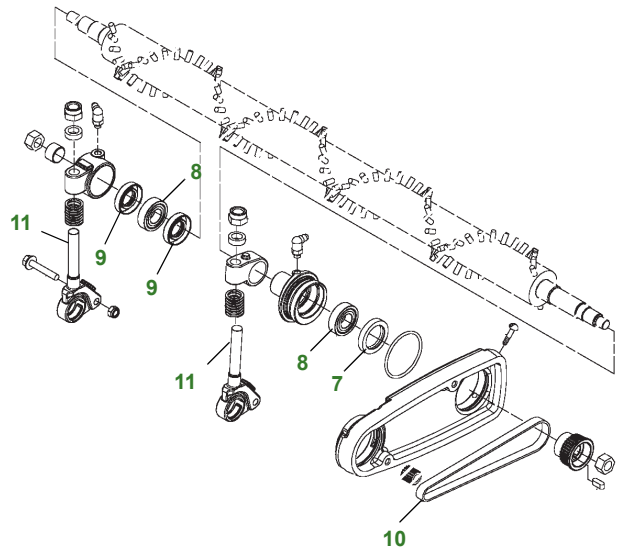
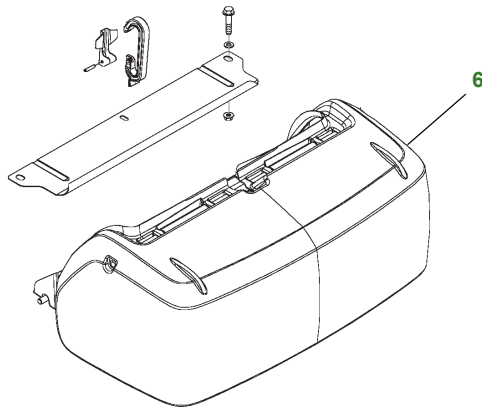
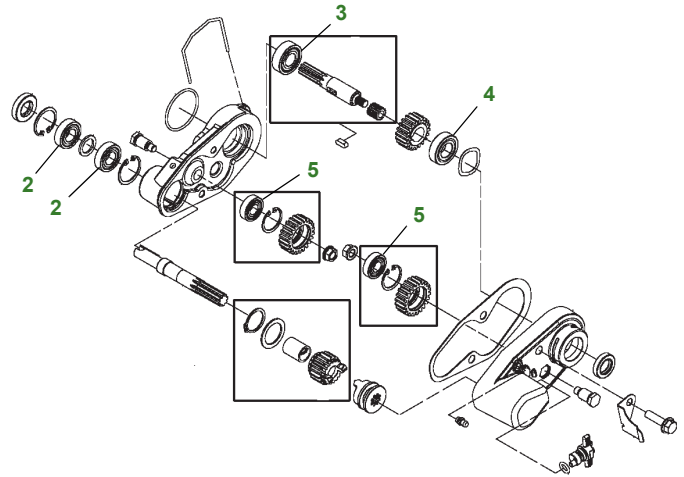
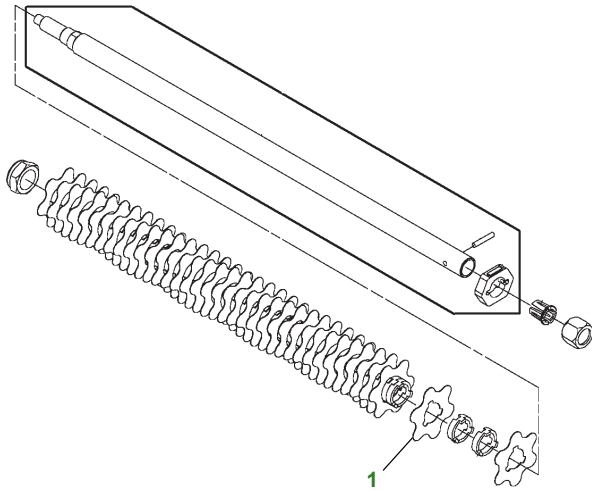
Key	Part No.	Description	Key	Part No.	Description
1	JD8226	BEARING CUP	7	UC28163	BEDKNIFE LOW-CUT -11-BLADE
2	JD8188	BEARING CONE	7	21M7194	SCREW
3	ET14566	SEAL	8	TCU33535	SYNCHRONOUS BELT
4	TCA19350	REEL - 7-BLADE	9	AUC10826	CUTTING UNIT MOTOR - 60 in. HARNES
	TCA19351	REEL - 11-BLADE	10	TCA19624	SHIELD
	TCA23621	REEL - 14-BLADE	11	TCU24328	ADJUSTER
5	TCU35968	SHOE	12	UC16108	BRACKET
6	UC23562	BEDKNIFE - FAIRWAY - HI-CUT	13	UC18211	BRACKET RH (IF USING FTC / GTC) BRACKET LH (IF NO FTC / GTC)
	UC28156	BEDKNIFE - FAIRWAY - LOW-CUT 7-BLADE		UC16109	BRACKET LH (IF USING FTC / GTC) BRACKET RH (IF NO FTC / GTC)
	ET11066	BEDKNIFE - 3.0 mm W/ HARDENED INSERT	14	AUC13512	ADJUSTER
	UC18869	BEDKNIFE - TOURNAMENT			
	UC18873	BEDKNIFE - STANDARD			
	TCU36165	BEDKNIFE - HARDENED LESS AGGRESSIVE LOW-CUT			

7500 E-Cut™ Hybrid Cutting Unit Rollers



Key	Part No.	Description	Key	Part No.	Description
1	BM18480ROLLER - SMOOTH TUBE (2 in.)	9	BM19817ROLLER - CONTINUOUS SPIRAL (3 in.)
	BM18711ROLLER - SMOOTH SOLID (2 in.)	10	AMT1286ROLLER - SPIRAL W/GROOVED END CAPS (3 in.)
2	BM19821ROLLER - MACHINED SPIRAL (2 in.)	11	BM22995SCRAPER - SMOOTH ROLLER
	BE23416ROLLER - GROOVED (22.5 in.)	12	TCA19547SCRAPER - GROOVED (22 X 2 in.)
	BM18481ROLLER - GROOVED (23.25 in.)	13	ET17629TORSION SPRING - LH
3	BM18712ROLLER - EXTENDED GROOVED (2 in.)	14	ET17630TORSION SPRING - RH
4	BTC10267 ROLLER - MACHINED GROOVED - ATTACHMENT	15	MT2369SCRAPER
5	BM23566 ROLLER - SPIRAL GROOVED	16	MT5159SCRAPER - LH END
6	AMT2967ROLLER - SMOOTH (3 in.)	17	MT2342SCRAPER - 3 TOOTH
7	AET10632SEAL KIT	18	MT2340SCRAPER - CENTER
8	BM25317ROLLER - DISK (3 in.)	19	MT2341SCRAPER - 4 TOOTH
			20	MT5158SCRAPER - RH END

7500 E-Cut™ Hybrid FTC, Rear Brush and Grass Catcher



Key	Part No.	Description	Key	Part No.	Description
1	MT2624	KNIFE	7	TCU24983	SEAL
2	TCU24834	BALL BEARING	8	TCU24834	BALL BEARING USE W/ BM22527
3	M802355	BALL BEARING		UC14112	BALL BEARING USE W/ BTC10767
4	JD8653	BALL BEARING	9	MT6828	SEAL
5	ET16027	BALL BEARING	10	TCU32422	SYNCHRONOUS BELT
6	BTC10718	GRASS CATCHER - LOW PROFILE	11	TCU24826	BRACKET
	BTC10719	GRASS CATCHER - HIGH PROFILE			