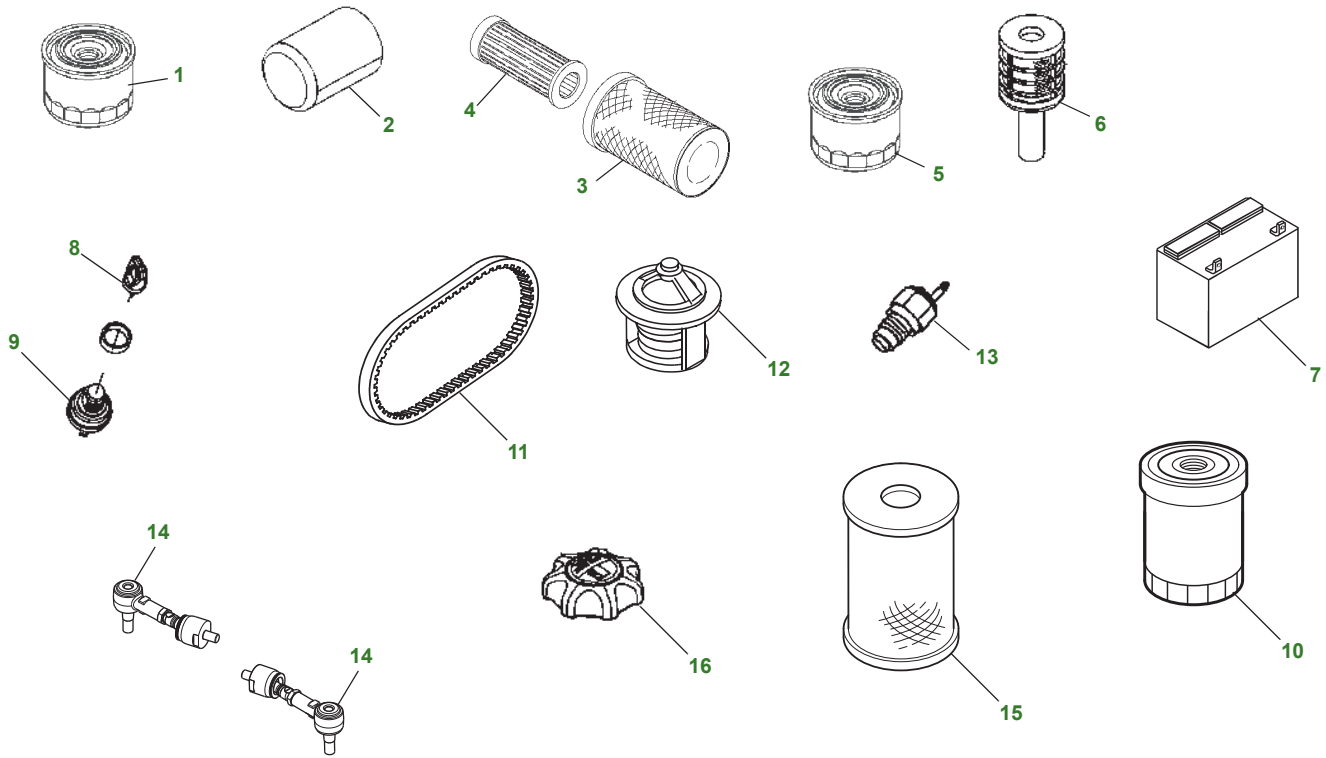


7500A / 7700A / 8700A PrecisionCut™ Mower



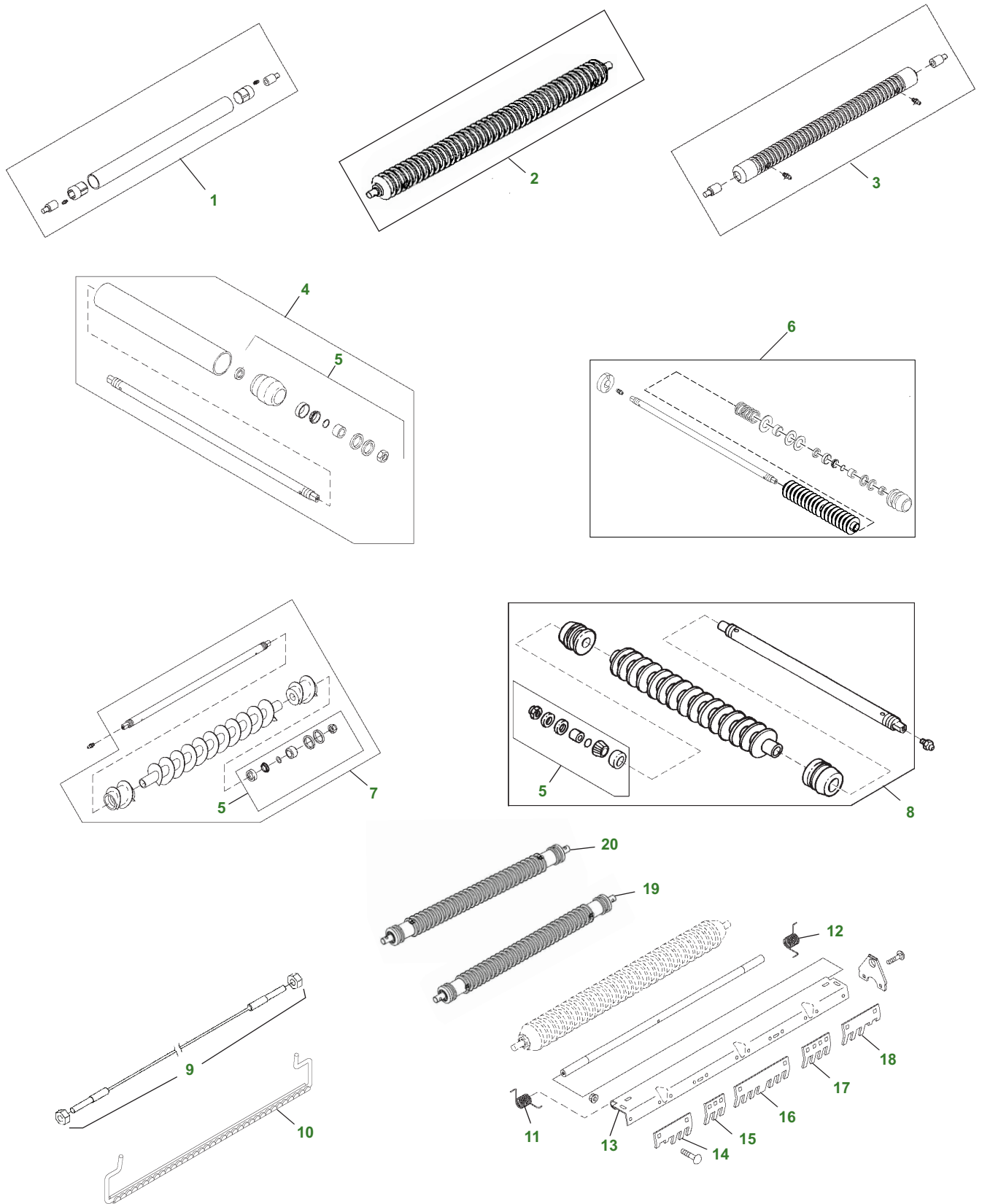
Key	Part No.	Description	Key	Part No.	Description
1	M806419	OIL FILTER ELEMENT - ENGINE	10	MIU803127	FUEL FILTER - FINAL - TIER 4
2	RE69054	HYDRAULIC FILTER	11	TCU38089	BELT - FAN - NON TIER 4
3	RE68048	AIR FILTER ELEMENT - PRIMARY		TCU30780	BELT - FAN - TIER 4
4	RE68049	AIR FILTER ELEMENT - SECONDARY	12	M811034	THERMOSTAT
5	MIU800645	FUEL FILTER - NON TIER 4	13	CH15516	WATER TEMP SWITCH - NON TIER 4
6	M811032	FUEL SEPARATOR ELEMENT - NON TIER 4		MIU801119	WATER TEMP SWITCH - TIER 4
7	TY25876	BATTERY	14	TCA23641	TIE ROD END
8	AUC12681	KEY	15	MIU802421	FUEL SEPARATOR ELEMENT - TIER 4
9	TCA22740	SWITCH (S/N -040000)	16	TCA24601	FILLER CAP
	AUC15805	SWITCH (S/N 040001-)			

Parts Needed in First 250 hours of Operation

Qty	Part No.	Item	Capacity	Interval In Hours
1	M806419	Engine Oil Filter		250
6	TY26674	Plus-50™ II 15W-40 Engine Oil	5.7 L (6 qt) (8700A)	250
6	TY26674	Plus-50™ II 15W-40 Engine Oil	5.3 L (5.6 qt) (7500A / 7700A)	250
1	RE69054	Hydraulic Filter		50
3	TY25083	John Deere Special Purpose Golf and Turf Cutting Unit Grease (Cutting Unit and Cutting Unit Attachments)		As Needed
3	TY6341	John Deere Multi-Purpose SD Polyurea Grease (Machine components, lift arms and rollers)		As Needed

*Refer to Operators Manual for service intervals if using BioDiesel Fuel and Bio Hy-Gard.

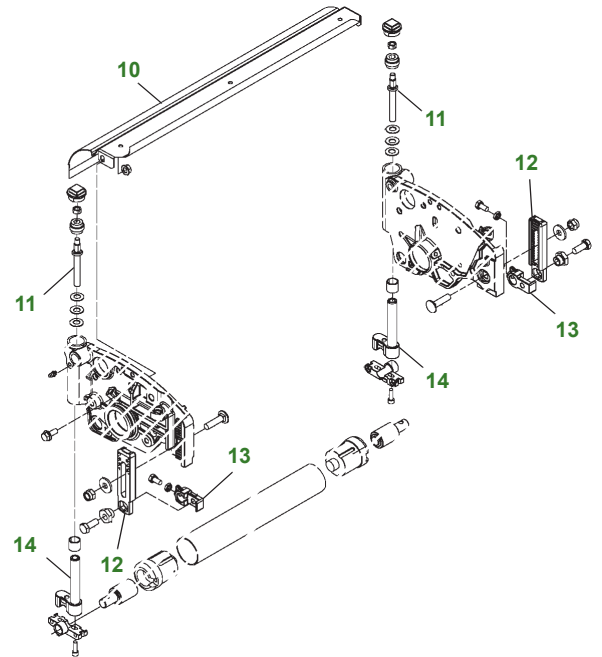
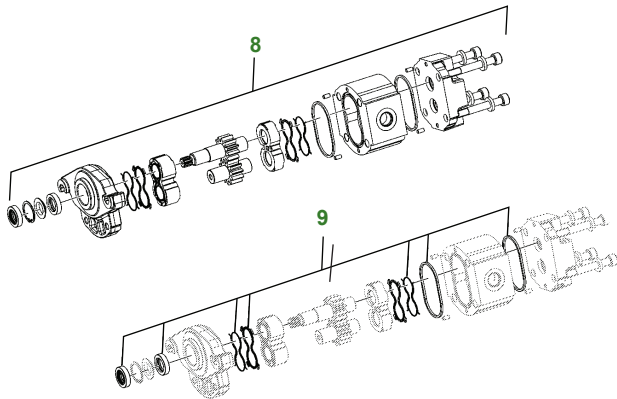
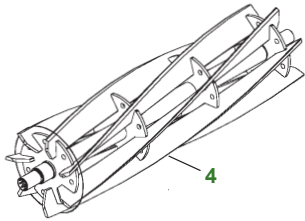
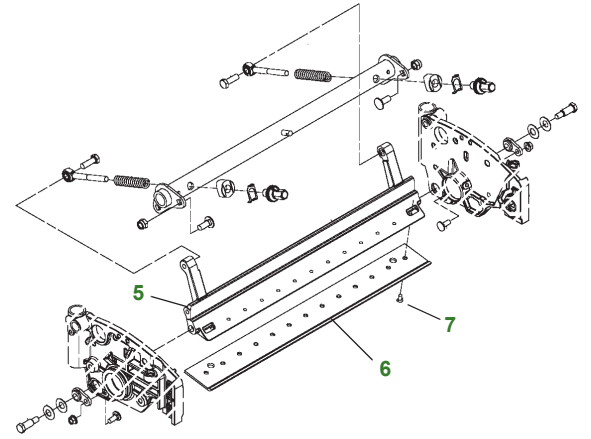
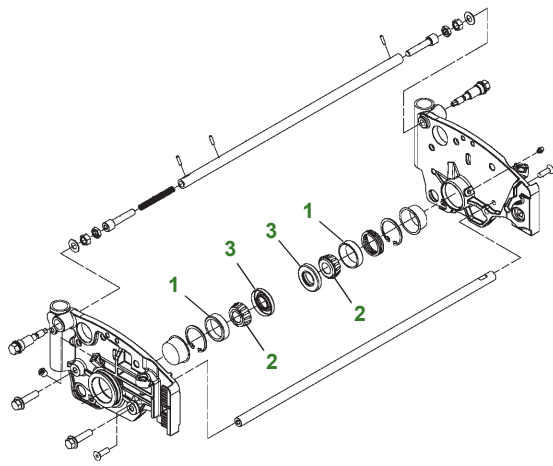
7500A PrecisionCut™ Cutting Unit Rollers



7500A PrecisionCut™ Cutting Unit Rollers (Continued)

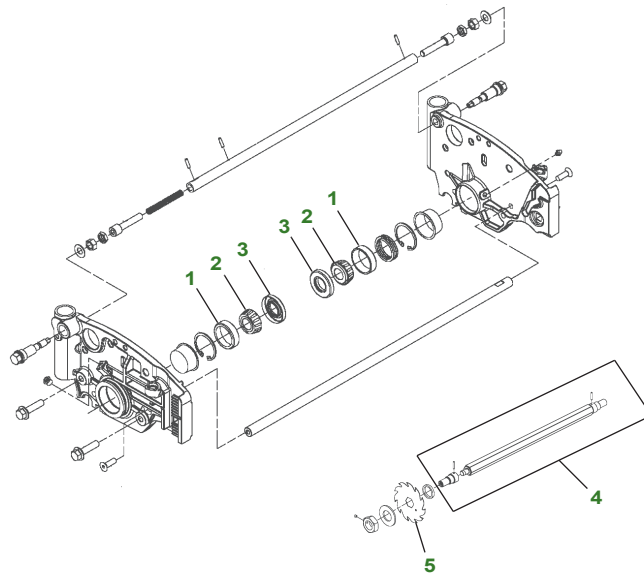
Key	Part No.	Description	Key	Part No.	Description
1	BM18480	ROLLER - SMOOTH TUBE (2 in.)	11	ET17629	TORSION SPRING - LH
	BM18711	ROLLER - SMOOTH SOLID (2 in.)	12	ET17630	TORSION SPRING - RH
2	BM19821	ROLLER - MACHINED SPIRAL (2 in.)	13	MT2369	SCRAPER
	BE23416	ROLLER - GROOVED (22.5 in.)	14	MT5159	SCRAPER - LH END
	BM18481	ROLLER - GROOVED (23.25 in.)	15	MT2342	SCRAPER - 3 TOOTH
3	BM18712	ROLLER - EXTENDED GROOVED (2 in.)	16	MT2340	SCRAPER - CENTER
4	AMT2967	ROLLER - SMOOTH (3 in.)	17	MT2341	SCRAPER - 4 TOOTH
5	AET10632	SEAL KIT	18	MT5158	SCRAPER - RH END
6	BM25317	ROLLER - DISK (3 in.)	19	BM23566	ROLLER - MACHINED SPIRAL (2 in.)
7	BM19817	ROLLER - CONTINUOUS SPIRAL (3 in.)	20	BTC10267	ROLLER - MACHINED GROOVED (2 in.)
8	AMT1286	ROLLER - GROOVED END SPIRAL (3 in.)			
9	BM22995	SCRAPER - SMOOTH ROLLER			
10	TCA19547	SCRAPER - GROOVED (22 X 2 in.)			

7500A PrecisionCut™ Reel Cutting Unit



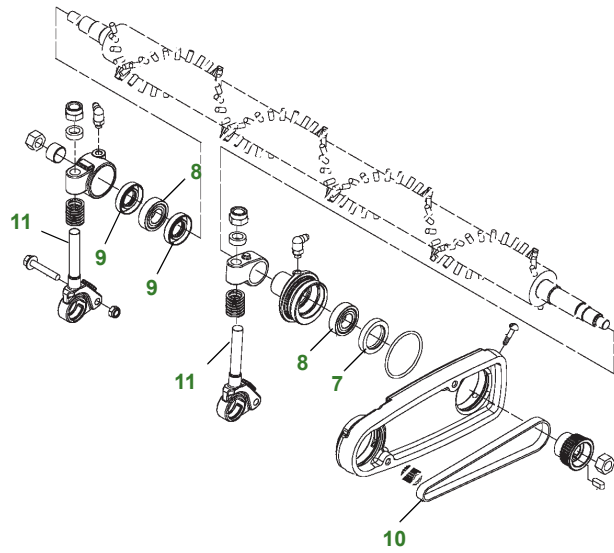
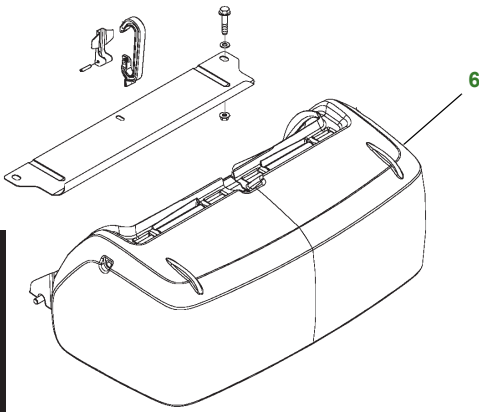
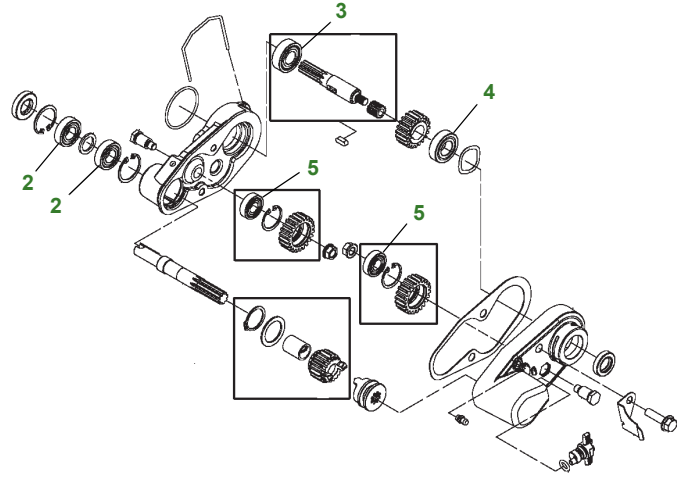
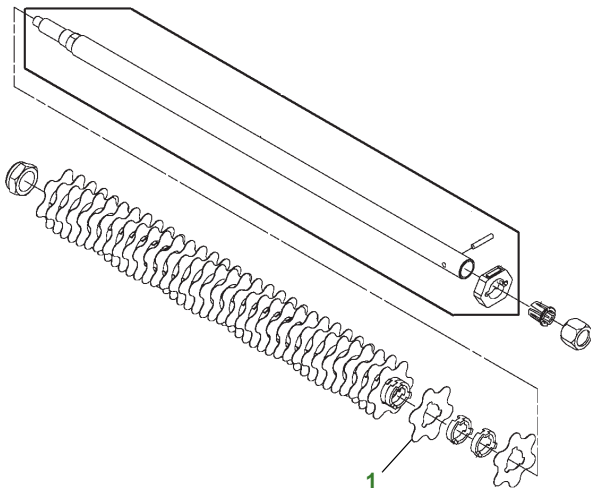
Key	Part No.	Description	Key	Part No.	Description
1	JD8226BEARING CUP	7	21M7194SCREW
2	JD8188BEARING CONE	8	TCA22474HYDRAULIC MOTOR (S/N -060000)
3	ET14566SEAL		AUC13103HYDRAULIC MOTOR (S/N 060001 -)
4	TCA19350REEL - 7-BLADE	9	TCA19114SEAL KIT
	TCA19351REEL - 11-BLADE	10	TCA19624SHIELD
	TCA23621REEL - 14-BLADE	11	TCU24328ADJUSTER
5	TCU35968SHOE	12	UC16108BRACKET
6	ET11066BEDKNIFE - STANDARD	13	UC18211BRACKET RH (IF USING FTC / GTC)
	ET17534BEDKNIFE - TOURNAMENT			BRACKET LH (IF NO FTC / GTC)
	UC18865BEDKNIFE - FAIRWAY LOW-CUT - 7-BLADE		UC16109BRACKET LH (IF USING FTC / GTC)
	ET17767BEDKNIFE - FAIRWAY HIGH-CUT			BRACKET RH (IF NO FTC / GTC)
	UC19154BEDKNIFE - LOW-CUT - 11-BLADE	14	AUC13512ADJUSTER
	TCU36165BEDKNIFE - HARDENED LESS AGGRESSIVE LOW-CUT			

7500A PrecisionCut™ Vertical Cutting Unit



Key	Part No.	Description	Key	Part No.	Description
1	JD8226BEARING CUP	4	TCA19344SHAFT
2	JD8188BEARING CONE	5	TCU26776KNIFE
3	ET14566SEAL			

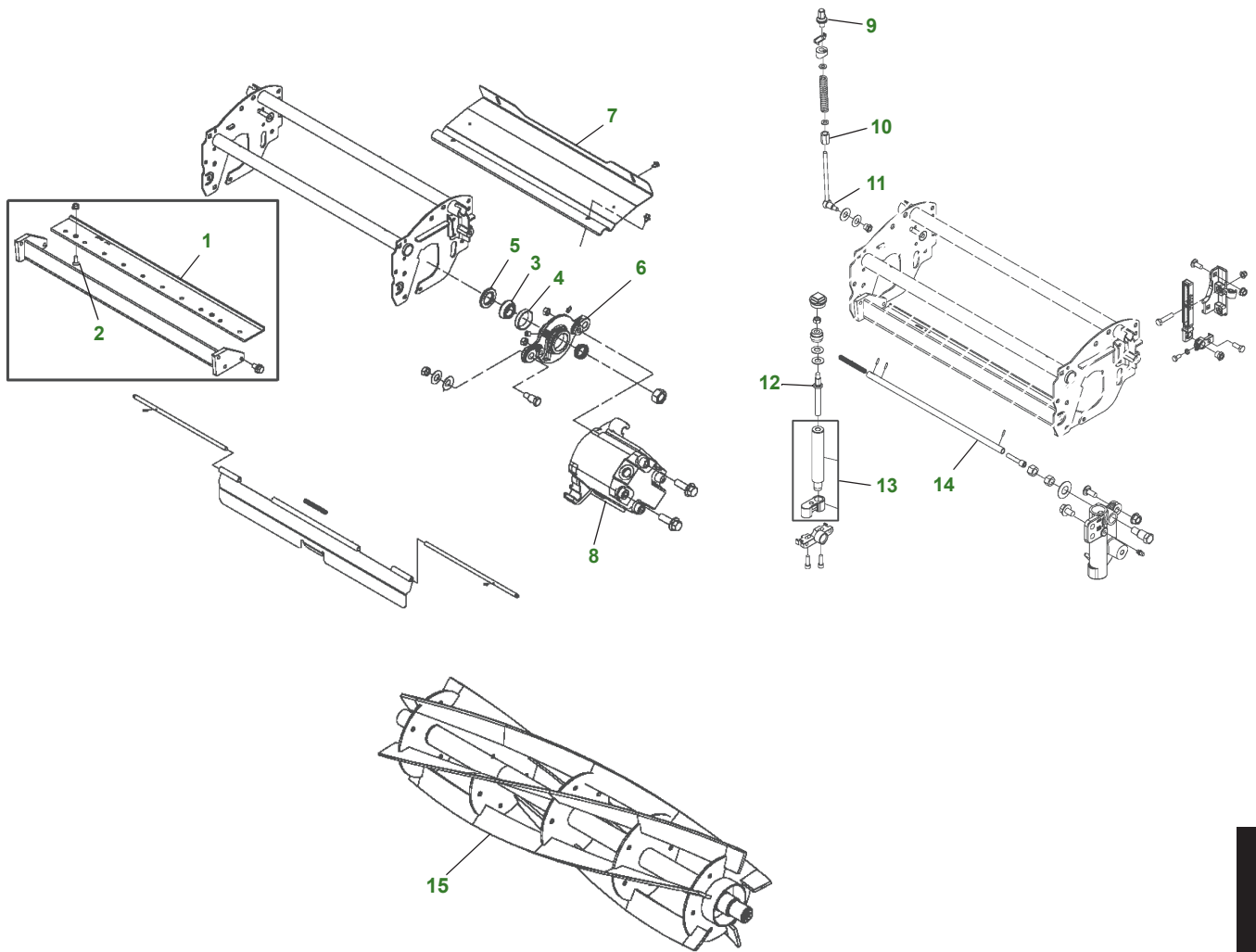
7500A PrecisionCut™ FTC, Rear Brush and Grass Catcher



Fairway Mowers

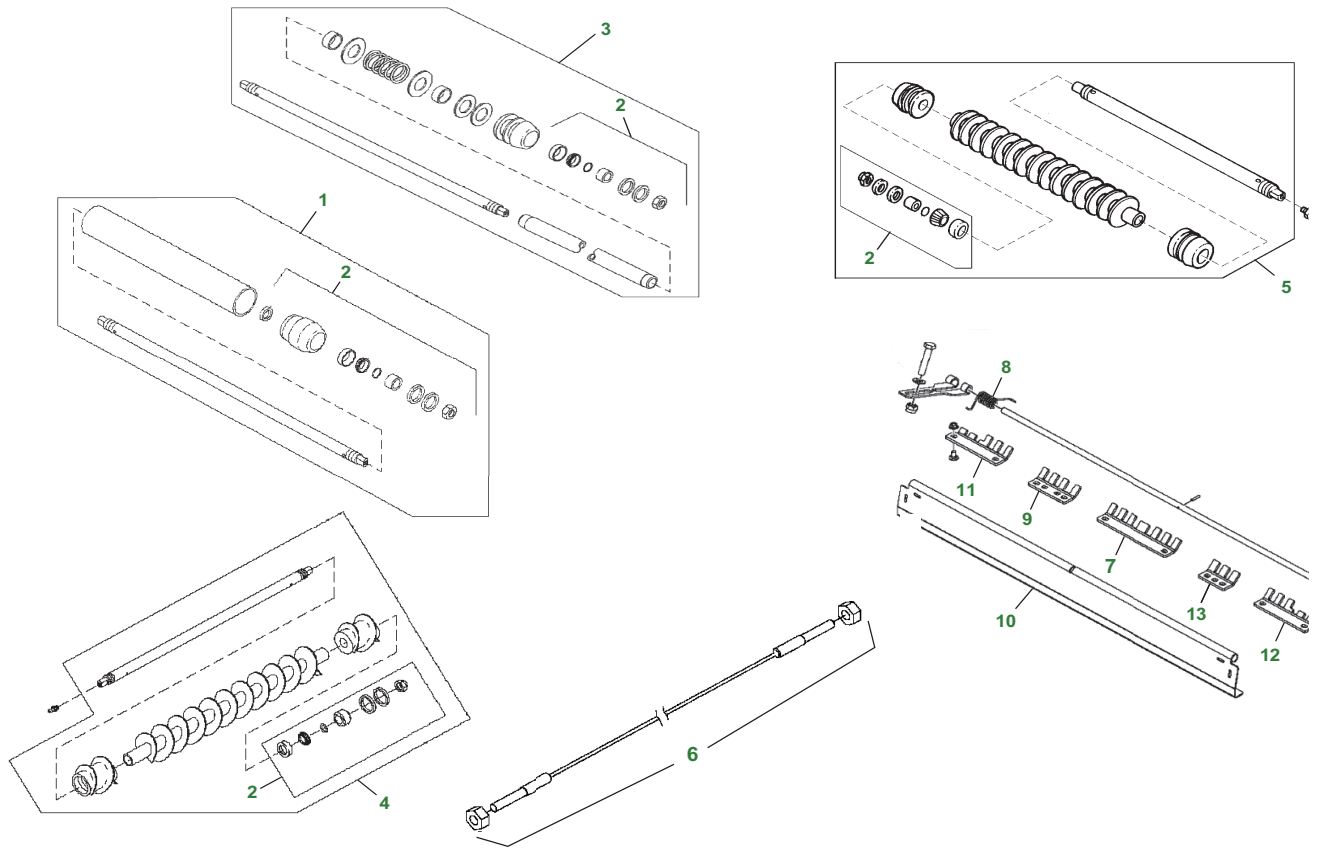
Key	Part No.	Description	Key	Part No.	Description
1	MT2624KNIFE	7	TCU24983SEAL
2	TCU24834BALL BEARING	8	TCU24834BALL BEARING
3	M802355BEARING	9	MT6828SEAL
4	JD8653BALL BEARING	10	TCU32422SYNCHRONOUS BELT
5	ET16027BALL BEARING	11	TCU24826BRACKET
6	BTC10718GRASS CATCHER - LOW PROFILE			
	BTC10719GRASS CATCHER - HIGH PROFILE			

7700A / 8700A PrecisionCut™ Reel Cutting Unit



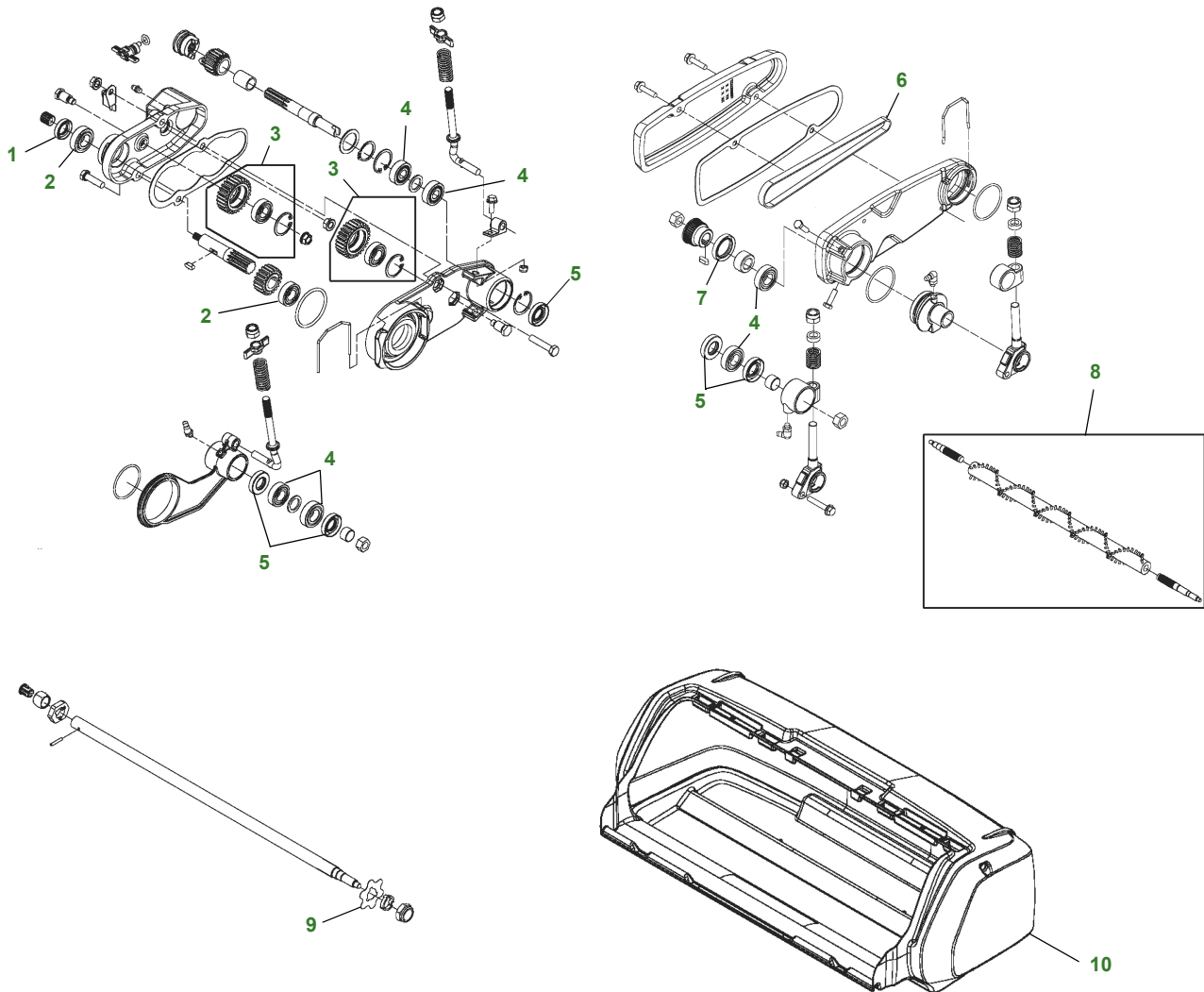
Key	Part No.	Description	Key	Part No.	Description
1	ET17751	BEDKNIFE - FAIRWAY - HIGH CUT	9	TCA19115	SEAL KIT
	MT1928	BEDKNIFE - LOW-CUT FAIRWAY	10	UC16137	ADJUSTER
	MT3983	BEDKNIFE - ULTRA LOW-CUT	11	TCU26315	ADJUSTER
	TCU32581	BEDKNIFE - LESS AGGRESSIVE HARDENED INSERT	12	TCU25317	ADJUSTER
2	19M7573	SCREW - M8 - (9)	13	TCU26123	ADJUSTER
3	JD8933	BEARING CONE	14	AUC13597	ADJUSTER
4	JD8253	BEARING CUP	15	TCU26729	TUBE
5	TCU25266	SEAL		TCA19353	REEL - 8-BLADE
6	UC13937	BEARING HOUSING W/O BEARINGS - LH		TCA19354	REEL - 10-BLADE
	UC13941	BEARING HOUSING W/O BEARINGS - RH		AMT2895	REEL - 5-BLADE
7	TCA19173	SHIELD			
8	TCA22475	HYDRAULIC MOTOR			

7700A / 8700A PrecisionCut™ Cutting Unit Rollers



Key	Part No.	Description	Key	Part No.	Description
1	AMT2967	ROLLER - SMOOTH (3 in.)	8	TCU27037	TORSION SPRING - LH
2	AET10632	SEAL KIT		TCU27036	TORSION SPRING - RH
3	BM25317	ROLLER - DISK (3 in.)	9	MT2341	SCRAPER - 4 TOOTH
4	BM19817	ROLLER - CONTINUOUS SPIRAL (3 in.)	10	TCU27038	SCRAPER
5	AMT1286	ROLLER - GROOVED END SPIRAL (3 in.)	11	MT5158	SCRAPER - RH END
6	BM22995	SCRAPER - SMOOTH ROLLER	12	MT5159	SCRAPER - LH END
7	MT2340	SCRAPER - CENTER	13	MT2342	SCRAPER - GROOVED SPIRAL ROLLER - 3 TOOTH

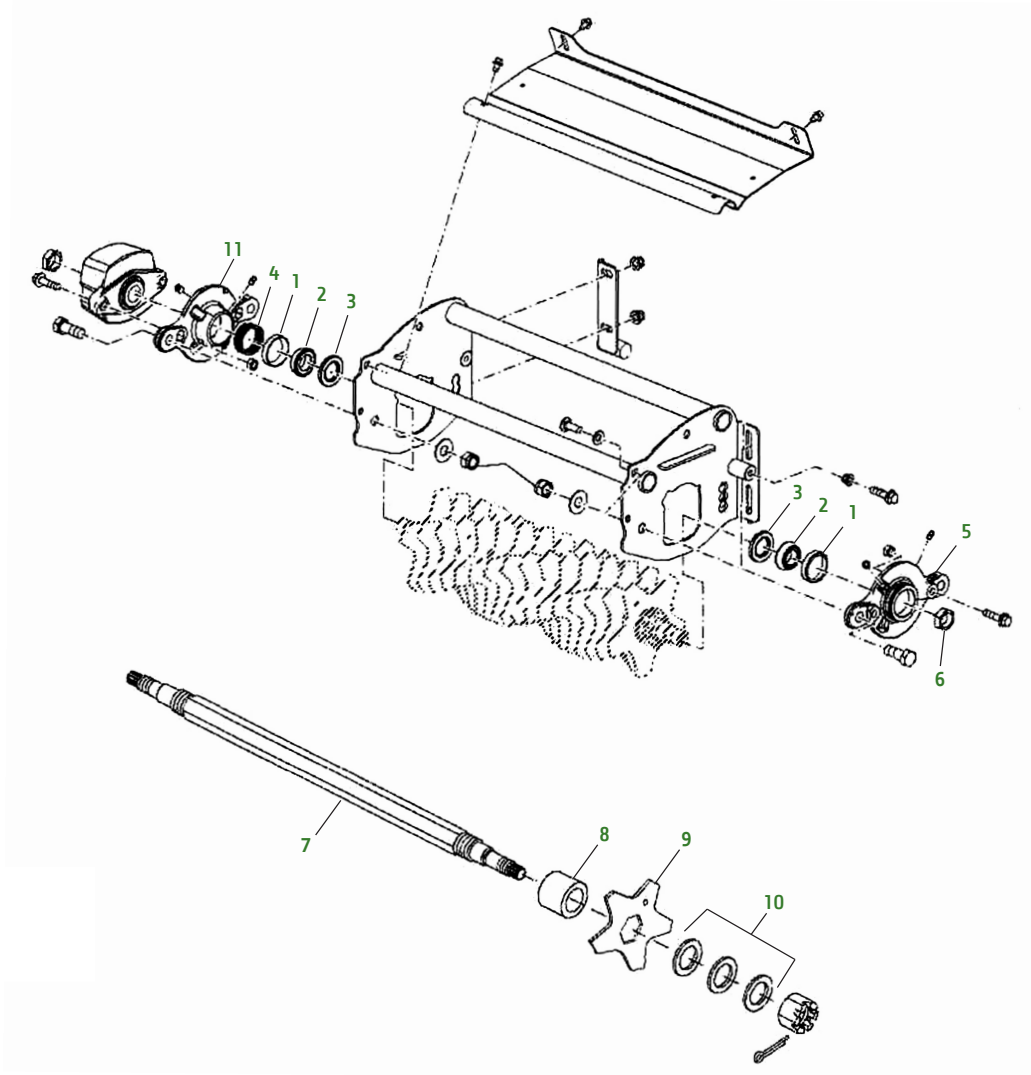
7700A / 8700A PrecisionCut™ FTC, Rear Brush and Grass Catcher



Key	Part No.	Description
1	MT2622	SEAL
2	JD8653	BALL BEARING
3	TCA17898	IDLER GEAR
4	TCU24834	BALL BEARING
5	MT6828	SEAL
6	TCU32423	SYNCHRONOUS BELT

Key	Part No.	Description
7	TCU24983	SEAL
8	TCA18839	REAR BRUSH KIT
9	MT2624	KNIFE
10	BTC10718	GRASS CATCHER - LOW CAPACITY
	BTC10719	GRASS CATCHER - HIGH CAPACITY

7700A / 8700A PrecisionCut™ Vertical Cutting Unit



Key	Part No.	Description	Key	Part No.	Description
1	JD8253BEARING CUP	7	MT770SHAFT (S/N -020000)
2	JD8933BEARING CONE		TCA19400SHAFT (S/N 020001-)
3	TCU25266SEAL	8	ET17648SPACER
4	TCU26530COMPRESSION SPRING	9	MT6987DISK
5	UC13941HOUSING	10	24H1549WASHER
6	TCU26215NUT	11	UC13937HOUSING