

# FILTER OVERVIEW WITH SERVICE INTERVALS AND CAPACITIES

6M iT4 Series Tractors - 6105M, 6115M, 6125M, 6140M, 6150M and 6170M

## ENGINE

**OPEN CRANKCASE VENTILATION (OCV) FILTER –**  
[DZ105100](#) (W/ DIESEL OXIDATION CATALYST AND DIESEL PARTICULATE FILTER)  
[DZ105796](#) (W/ DIESEL OXIDATION CATALYST)

Replace after every 1500 hours or 2 years, whichever occurs first.

## ENGINE

**SECONDARY AIR FILTER –** [AL215054](#)

Replace at every fourth change of Primary Air Filter, or after 4500 hours or 5 years, whichever occurs first.

## ENGINE

**PRIMARY AIR FILTER –**

[AL215055](#) (6105M, 6115M, 6125M)

[AL215053](#) (6140M, 6150M, 6170M)

Replace after every 1500 hours or 2 years, whichever occurs first. Change Cab Air Filters as well.

## TRANSMISSION

**OIL FILTER –** [AL221066](#)

Replace after first 100 hours, then after first 750 hours and every 750 hours thereafter. Change Hydraulic Oil Filter as well.

## HYDRAULICS

**OIL FILTER –** [AL169573](#)

Replace after first 100 hours, then after first 750 hours and every 750 hours thereafter. Change Transmission Oil Filter as well.

(Click here for [capacity](#))

## ENGINE

**OIL FILTER –**

[RE504836](#) (6105M, 6115M, 6125M, 6140M)

[RE539279](#) (6150M, 6170M)

Replace after first 100 hours, then after first 500 hours and every 500 hours thereafter or annually, whichever occurs first.

The extended 500 hour interval is only allowed if using Plus-50™ II oil, JD OEM Oil Filter and diesel fuel with sulfur content less than 15mg/kg (15 ppm).

Change Oil and Filter after every 250 hours, if conditions are not met.

(Click here for [capacity](#))

November 2020. Subject to change without notice.

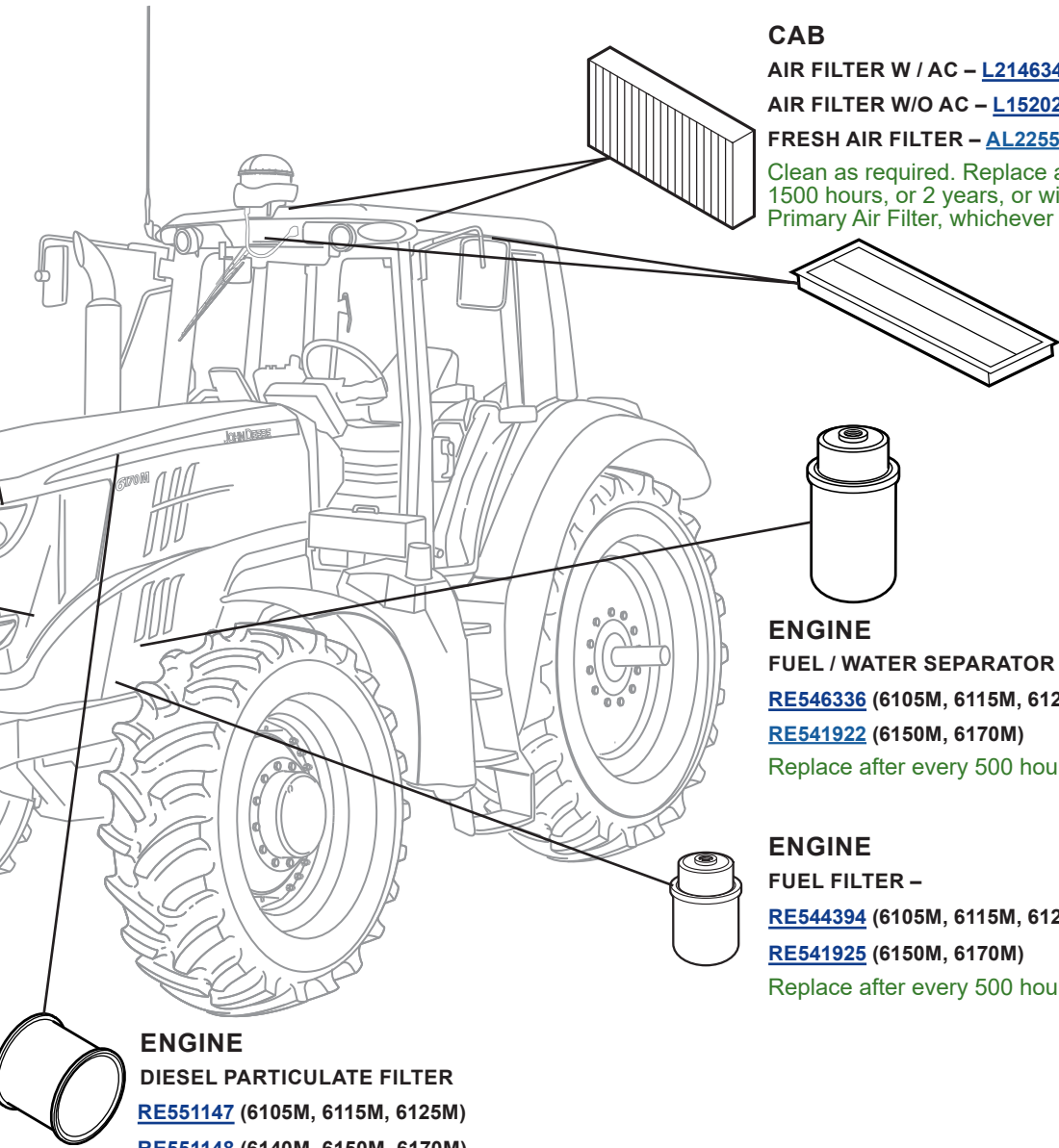
## CAB

**AIR FILTER W / AC –** [L214634](#) (Qty.2)

**AIR FILTER W/O AC –** [L152026](#) (Qty.2)

**FRESH AIR FILTER –** [AL225552](#) (Qty.2)

Clean as required. Replace after every 1500 hours, or 2 years, or with Engine Primary Air Filter, whichever occurs first.



## ENGINE

**DIESEL PARTICULATE FILTER**

[RE551147](#) (6105M, 6115M, 6125M)

[RE551148](#) (6140M, 6150M, 6170M)

Replace within 250 hours after exhaust filter and warning light indicators are alerted on display.



**JOHN DEERE**

Genuine Parts and Service

[https://www.deere.com/en\\_US/parts/parts\\_by\\_industry/ag/fmi/filter\\_maintenance\\_information.page](https://www.deere.com/en_US/parts/parts_by_industry/ag/fmi/filter_maintenance_information.page)

# CAPACITIES

## 6M iT4 Series Tractors - 6105M, 6115M, 6125M, 6140M, 6150M and 6170M

### CAPACITIES (Approximate):

#### Fuel Tank:

6105M, 6115M, 6125M.....	220 L (58.1 gal)
6140M.....	290 L (76.6 gal)
6150M.....	300 L (79.2 gal)
6170M.....	355 L (93.8 gal)

#### Cooling System:

##### Cool-Gard™ II

.....	28.2 L (7.5 gal)
-------	------------------

#### Crankcase including Filter:

##### Plus-50™ II

6105M, 6115M, 6125M, 6140M.....	16 L (4.2 gal)
6150M, 6170M.....	23.5 L (6.2 gal)

#### Transmission Case:

##### Hy-Gard™

6105M, 6115M, 6125M, 6140M.....	52 L (13.7 gal)
6150M, 6170M.....	56 L (14.8 gal)
Extra with creeper.....	1 L (0.3 gal)
Extra with additional oil reservoir.....	14 L (3.7 gal)
Extra with front-wheel drive axle.....	3 L (0.8 gal)
With Front PTO.....	2.6 L (0.69 gal)

#### Front-wheel Drive:

##### Hy-Gard™

Axle housing.....	8.2 L (2.2 gal)
Final drives (without brake).....	1.7 L (0.4 gal)
Final drives (with brake).....	2.6 L (0.7 gal)

#### Air-conditioning System:

R134a Refrigerant.....	1225 - 1275 g (2.70 - 2.81 lb)
Oil Volume (PAG oil).....	220 ml (7.44 fl oz)

[Return to Filter Overview](#)