

FILTER OVERVIEW WITH SERVICE INTERVALS AND CAPACITIES

6M Final Tier 4 (FT4) MY20 Series Tractors – 6155M, 6175M, 6195M

CAB

FRESH AIR FILTER (QTY 2)

[AL225552](#)

Replace after every 1500 hours, or 2 years, or with Engine Primary Air Filter, whichever occurs first.

(ACTIVATED CARBON KIT) [AL158986](#)

Never clean. Replace after every 750 hours or 1 year or with Engine Primary Air Filter, whichever occurs first.

CAB

RECIRCULATION AIR FILTER (QTY 2)

[L214634](#)

Replace after every 1500 hours, or 2 years, or with Engine Primary Air Filter, whichever occurs first.

(ACTIVATED CARBON KIT) [AL158986](#)

Never clean. Replace after every 750 hours or 1 year or with Engine Primary Air Filter, whichever occurs first.

HYDRAULICS

OIL FILTER [AL169573](#)

Replace after first 100 hours then after first 750 hours and every 750 hours thereafter. Change Transmission Oil Filter as well.

TRANSMISSION

OIL FILTER [AL221066](#)

Replace after first 100 hours then after first 750 hours and every 750 hours thereafter. Change Transmission Oil Filter as well.

ENGINE

OIL FILTER [RE539279](#)

Replace every 750 hours thereafter or annually. The extended 750 hour interval is only allowed if using Plus-50™ II oil, JD OEM Oil Filter and diesel fuel with sulfur content less than 15mg/kg (15 ppm). Change Oil and Filter after every 500 hours, if conditions are not met.

ENGINE

CRANKCASE VENTILATION FILTER

[DZ105100](#)

Replace after every 750 hours.

ENGINE

DEF LINE FILTER [DZ110513](#)

Replace after every 4500 hours or 3 years, whichever occurs first.

ENGINE

DEF INJECTION PUMP FILTER [DZ114640](#)

Replace after every 4500 hours or 3 years, whichever occurs first.

ENGINE

FINAL FUEL FILTER [DZ115392](#)

Replace after every 750 hours.

ENGINE

SECONDARY AIR FILTER [AL215054](#)

Replace at every fourth change of Primary Air Filter, or after 4500 hours or 2 year, whichever occurs first.

ENGINE

PRIMARY AIR FILTER

[AL215053](#)

Replace after every 1500 hours, or 2 years whichever occurs first, or if the relevant information is displayed on the CommandCenter™.

ENGINE

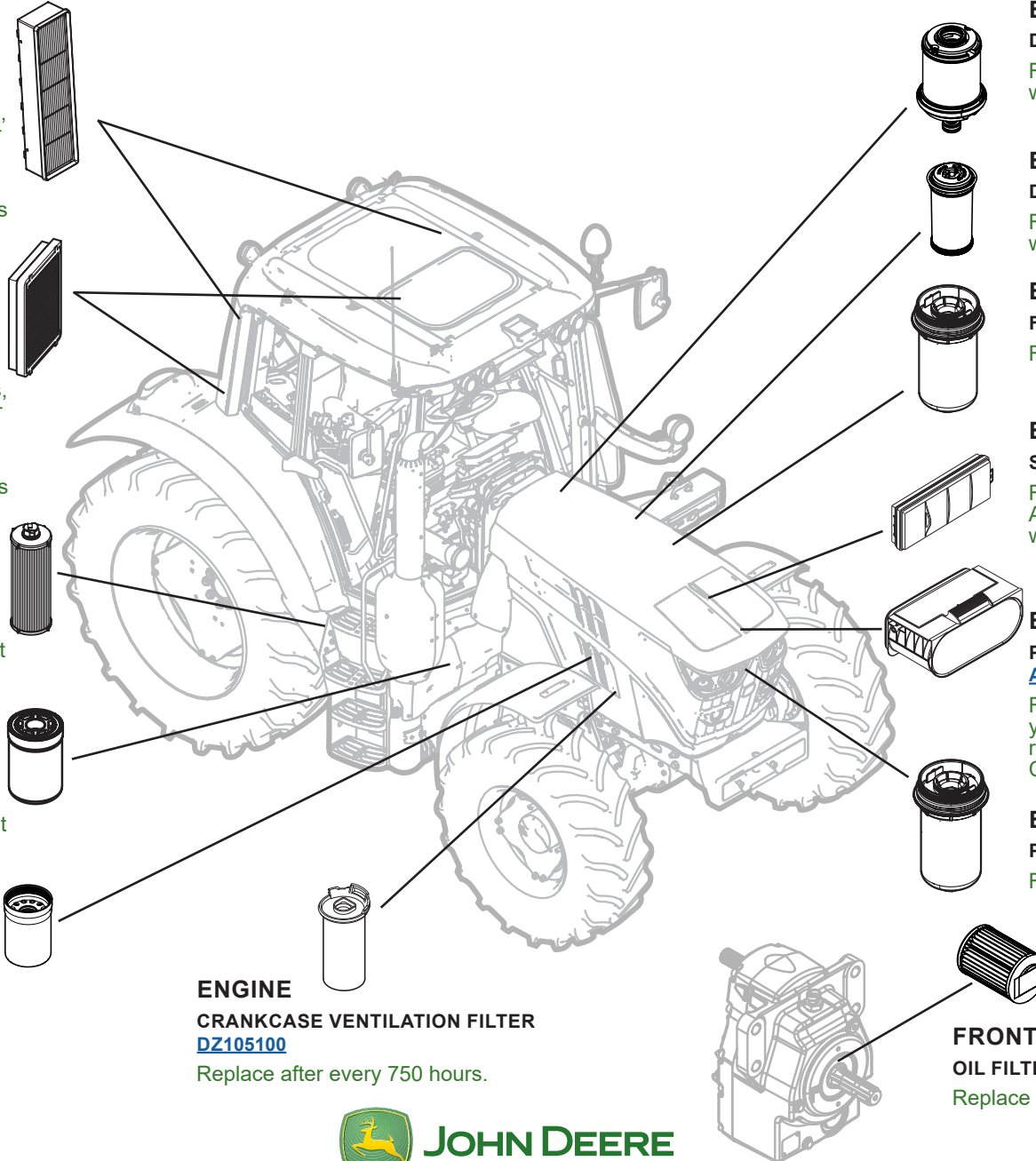
PRIMARY FUEL FILTER [DZ115391](#)

Replace after every 750 hours.

FRONT PTO

OIL FILTER [DE30500](#)

Replace after every 500 hours.



CAPACITIES

6M Final Tier 4 (FT4) MY20 Series Tractors – 6155M, 6175M, 6195M

CAPACITIES (Approximate):

Fuel Tank:

| | |
|-------------------|------------------|
| 6155M..... | 270 L (71.3 gal) |
| 6175M, 6195M..... | 325 L (85.9 gal) |

DEF Tank:

John Deere Diesel Exhaust Fluid™

| | |
|-------------------|----------------|
| 6155M..... | 16 L (4.2 gal) |
| 6175M, 6195M..... | 20 L (5.3 gal) |

Cooling System:

Cool-Gard™ II

| | |
|-------------------|----------------|
| 6155M..... | 27 L (7.1 gal) |
| 6175M, 6195M..... | 28 L (7.4 gal) |

Crankcase:

Plus-50™ II

| | |
|-------|------------------|
| | 23.5 L (6.2 gal) |
|-------|------------------|

Transmission / Hydraulics:

Hy-Gard™

| | |
|--|-----------------|
| Transmission | 70 L (20.1 gal) |
| Extra with creeper..... | 2 L (0.5 gal) |
| Extra with front-wheel drive | 3 L (0.8 gal) |
| Extra with additional oil reservoir..... | 14 L (3.7 gal) |

Front PTO:

| | |
|-------|-----------------|
| | 2.6 L (0.7 gal) |
|-------|-----------------|

Front-wheel Drive:

Hy-Gard™

6155M

| | |
|---|------------------|
| Axle housing (with TLS™) | 10.0 L (2.6 gal) |
| Axle housing (without TLS™)..... | 9.2 L (2.4 gal) |
| Final drives, per side (with brake)..... | 2.4 L (0.63 gal) |
| Final drives, per side (without brake)..... | 2.2 L (0.58 gal) |

6175M, 6195M

| | |
|---|------------------|
| Axle housing (with TLS™) | 11.4 L (3.0 gal) |
| Axle housing (without TLS™)..... | 10.6 L (2.8 gal) |
| Final drives, per side (with brake)..... | 2.6 L (0.69 gal) |
| Final drives, per side (without brake)..... | 2.0 L (0.53 gal) |

Air-conditioning System:

| | |
|-------------------------|-----------------------------------|
| R134a Refrigerant | 1225 - 1275 g (2.70 - 2.81 lb) |
|-------------------------|-----------------------------------|

[Return to Filter Overview](#)



JOHN DEERE
Genuine Parts and Service