



REPLACEMENT PART GUIDE

6135HFC48 Special Engine Applications



STARTER

[RE540886](#) (24 V) (3014)



FUEL FILTER

[RE507284](#) (3501)

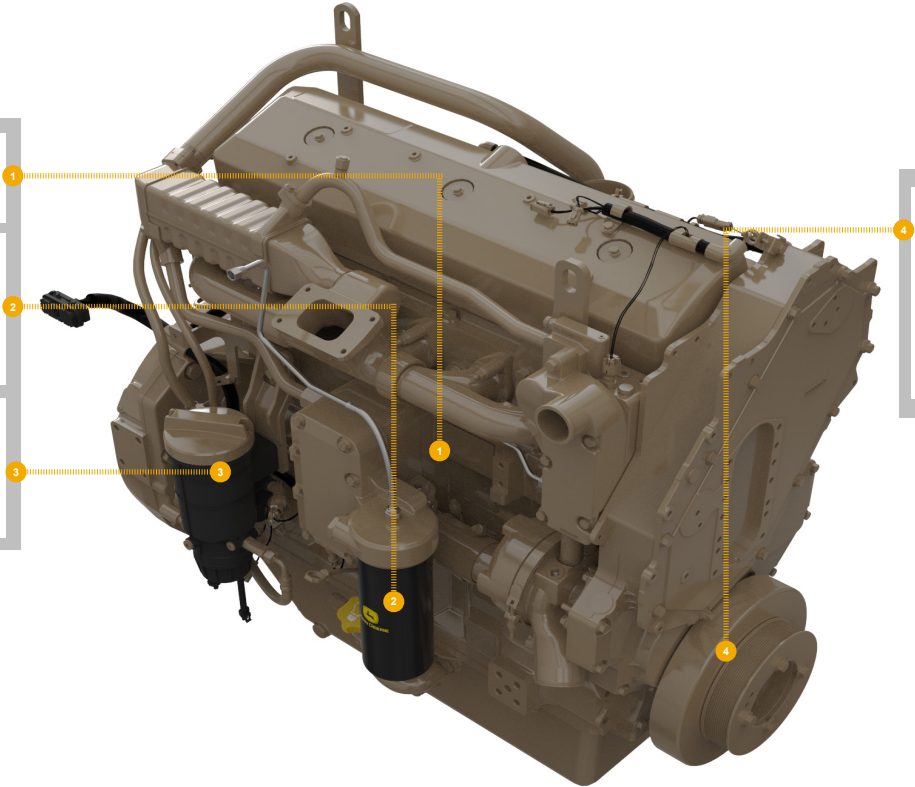
500 hrs of operation or every 12 months.



OIL FILTER

[RE572785](#) (5912)

500 hrs of operation or every 12 months.



CRANKSHAFT PULLEY

[R516399](#) (OD = 245 mm) (1315, 1345)

[R527741](#) (OD = 245 mm) (1341)



DAMPER

[RE523269](#) (OD = 355 mm) (6809)

[RE530733](#) (OD = 355 mm) (6802)



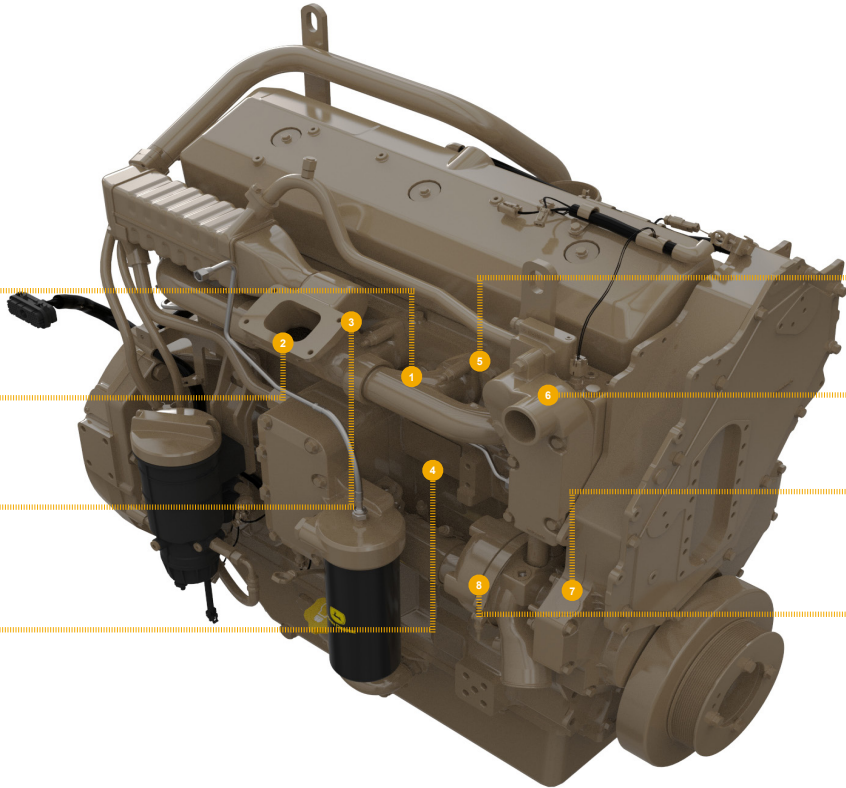
JOHN DEERE

Genuine Parts and Service



REMAN PARTS GUIDE

6135HFC48 Special Engine Applications



ENGINE CONTROLLER

[SE502948](#) (REMAN FOR [RE520954](#)) (8494)



CONNECTING ROD

[SE502276](#) (REMAN FOR [RE535966](#)) (4803)



CYLINDER HEAD

[SE502698](#) (REMAN FOR [RE542776](#) OR [RE520563](#)) (5107)



STARTER MOTOR

[SE502679](#) (REMAN FOR [RE540886](#)) (24 V) (3014)



ELECTRIC UNIT INJECTOR

[RM100251](#) (REMAN FOR [DZ121294](#)) (1676)



TURBOCHARGER

[SE502332](#) (REMAN FOR [RE548273](#) OR [RE535845](#)) (6550)



WATER PUMP

[SE501593](#) (REMAN FOR [RE549117](#)) (2007)



OIL PUMP

[SE501594](#) (REMAN FOR [RE527933](#)) (5002)



JOHN DEERE
Genuine Parts and Service