



REPLACEMENT PART GUIDE

PowerTech 12.5 L 6125AFM75 Marine Engine



OIL FILTER

[RE58935](#) (5909)

500 hrs of operation or every 12 months.

STARTER

[RE515843](#) (12V) (3006) (3008)

[RE515895](#) (24V) (3007) (3009)

[RE539584](#) (12V) (3012)

[RE540886](#) () (3014)



PRIMARY FUEL FILTER

[RE507284](#) (3517) (3522)

500 hrs of operation or every 12 months



SHORT BLOCK ASSEMBLY

[RE536213](#) (9901)



ALTERNATOR

[RE500226](#) (12V, 140A) (3107)

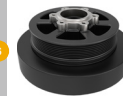
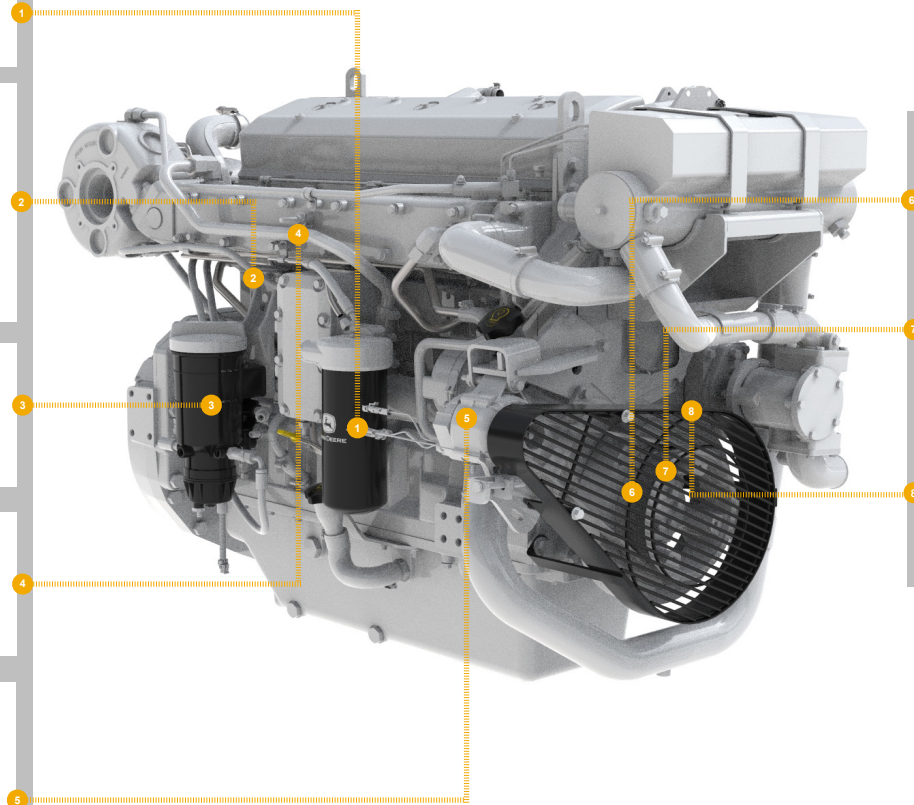
[RE65414](#) (24V, 60A) (3108)

[RE500227](#) (12V, 90A) (3110)

[RE501112](#) (12V, 105A) (3109)

[RE551447](#) (28V, 100A) (3159)

[RE551448](#) (14V, 150A) (31ZZ)



CRANKSHAFT PULLEY

[RE523266](#) (OD = 355.6) (1301) (1304)



DAMPER

[RE530733](#) (OD = mm) (6802)



FAN BELT

[DZ118775](#) (LGTH = 1310 mm) (2440)



JOHN DEERE

Genuine Parts and Service

REMAN PARTS GUIDE

PowerTech 12.5 L 6125AFM75 Marine Engine



TURBOCHARGER

[SE502189](#) (REMAN FOR [RE521355](#) (6538))

ALTERNATOR

[SE501839](#) (REMAN FOR [RE500226](#) (12V, 140A) (3107))

[SE501842](#) (REMAN FOR [RE65414](#) (24V, 60A) (3108))

[SE501836](#) (REMAN FOR [RE500227](#) (3110))

[SE501810](#) (REMAN FOR [RE501112](#) (12V, 105A) (3109))

STARTER

[SE501862](#) (REMAN FOR [RE515843](#) (12V) (3006) (3008))

[SE501874](#) (REMAN FOR [RE539584](#) (12V) (3012))

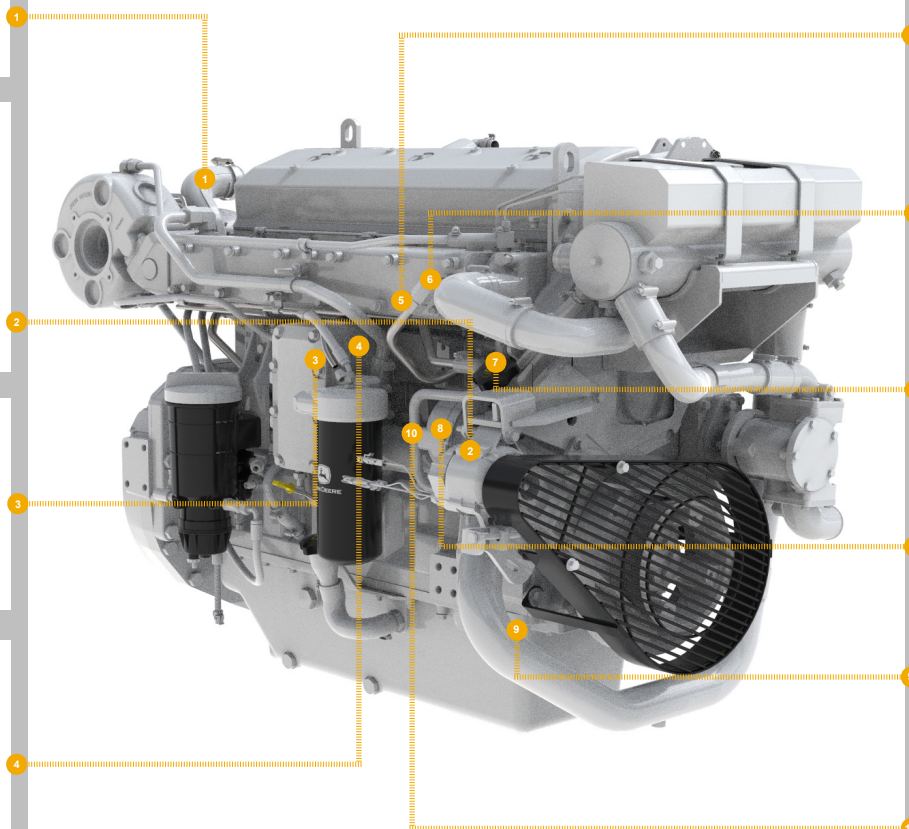
[SE502679](#) (REMAN FOR [RE540886](#) (3014))

COMPLETE BLOCK ASSEMBLY

[SE502570](#)

[SE502572](#)

May not be as illustrated. Includes cylinder head with valves and rocker arm assembly, oil pump assembly, complete gasket kit with front and rear seals.

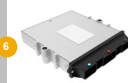


CONNECTING ROD

[SE502394](#) (REMAN FOR [RE535965](#) (4802))

[SE501726](#) (REMAN FOR [RE532355](#) (4802))

[SE501269](#) (REMAN FOR [RE522978](#) (4802))



CONTROLLER

[SE502812](#) ((LEVEL 6) REMAN FOR [RE507980](#) (8411))

[SE502922](#) ((LEVEL 6) REMAN FOR [RE507981](#) (8412))



INJECTION NOZZLE

[SE501957](#) (REMAN FOR [RG33967](#) (162A))



WATER PUMP

[SE501229](#) (REMAN FOR [RE549135](#) (2006) (2008))



OIL PUMP

[SE501594](#) (REMAN FOR [RE527933](#) (5001))



CRANKSHAFT

[SE501664](#) (REMAN FOR [RE51761](#) (4701))



JOHN DEERE
Genuine Parts and Service