

REPLACEMENT PARTS GUIDE

6090HFS86 PowerTech 9.0L Gen Set Moteur (Tier 3)



ALTERNATOR

[DZ114957](#) (28V 55A) (3119)

[DZ114956](#) (14V, 120A) (3115, 3116)

[RE65414](#) (24V, 60A) (3118)

[RE500227](#) (12V, 90A) (3120)



PRIMARY FUEL FILTER

[RE520906](#) (3510, 3511)

Replace 500 Hours of Operation or Every 12 Months.



FINAL FUEL FILTER

[RE525523](#) (3510, 3511)

Replace 500 Hours of Operation or Every 12 Months.



OIL FILTER

[RE509672](#) (5925)

Replace 500 Hours of Operation or Every 12 Months.



CRANKSHAFT PULLEY WITH DAMPENER

[RE523527](#) (OD = 279 mm) (1317)



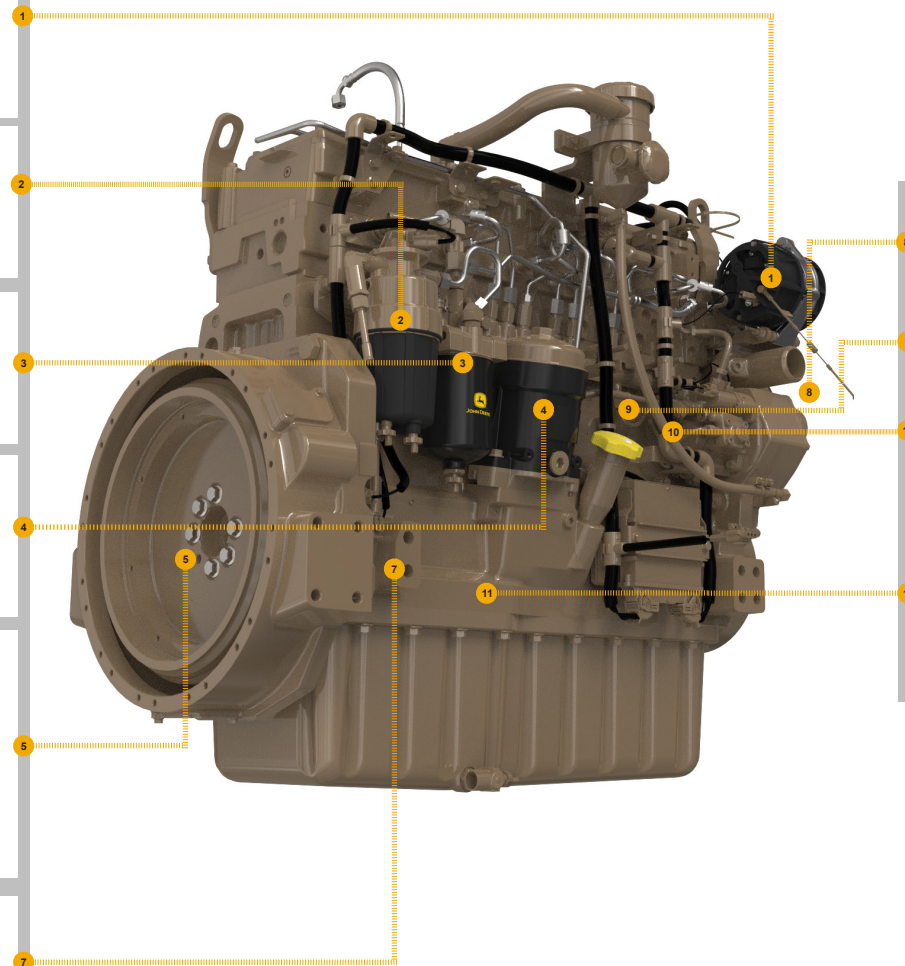
TORSIONAL DAMPER

[RE530331](#) (OD = 350 mm) (1320)

STARTER MOTOR

[RE529661](#) (12V) (3001)

[RE506103](#) (24V) (3005)



FAN BELT

[T429109](#) (LGTH = 1660 mm) (2435)



FAN PULLEY

[R522506](#) (OD = 175.5 mm) (236A)



OCV FILTER

[RE546466](#) (2920)



SHORT BLOCK ASSEMBLY

[DZ121193](#)



REMAN PARTS GUIDE

6090HFS86 PowerTech 9.0L Gen Set Moteur (Tier 3)



FUEL INJECTION NOZZLE

[SE501947](#) (REMAN FOR [DZ100221](#)) (1601)



STARTER MOTOR

[SE501867](#) (REMAN FOR [RE529661](#))
(12V) (3001)

[SE501866](#) (REMAN FOR [RE506103](#))
(24V) (3005)



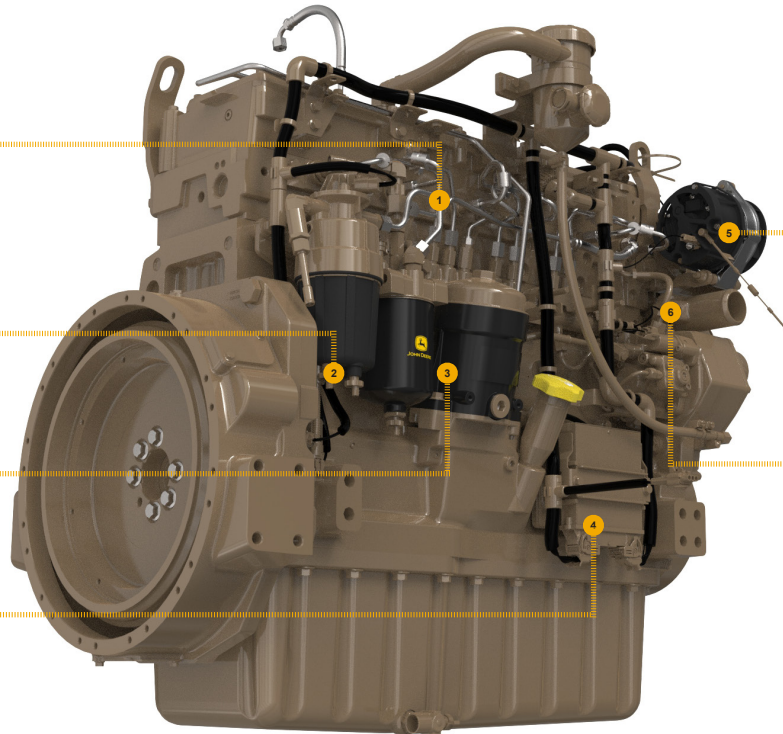
CYLINDER HEAD

[SE501747](#) (REMAN FOR [RE523680](#)) (5101)



ENGINE CONTROLLER

[SE502800](#) (REMAN FOR [RE531808](#))
(LEVEL 14) (8414, 84BZ)



ALTERNATOR

[SE501836](#) (REMAN FOR [RE500227](#))
(12V, 90A) (3120)

[SE501842](#) (REMAN FOR [RE65414](#))
(24V, 60A) (3118)

[SE501343](#) (REMAN FOR [AH165975](#))
(12V, 120A) (3115)



WATER PUMP

[SE501228](#) (REMAN FOR [RE530194](#)) (2001)



JOHN DEERE
Genuine Parts and Service