

REPLACEMENT PART GUIDE

6090AFM85 PowerTech 9.0L (Tier 3) Marine Engine



OIL FILTER

[RE509672](#) (5937, 5930)

[DZ118156](#) (5938, 5931)

500 hrs of operation or every 12 months.



OCV FILTER

[RE530346](#) (2910)

1500 hrs of operation.



FUEL FILTER

[RE527961](#) (3514, 3515, 3516, 3517)

500 hrs of operation or every 12 months.



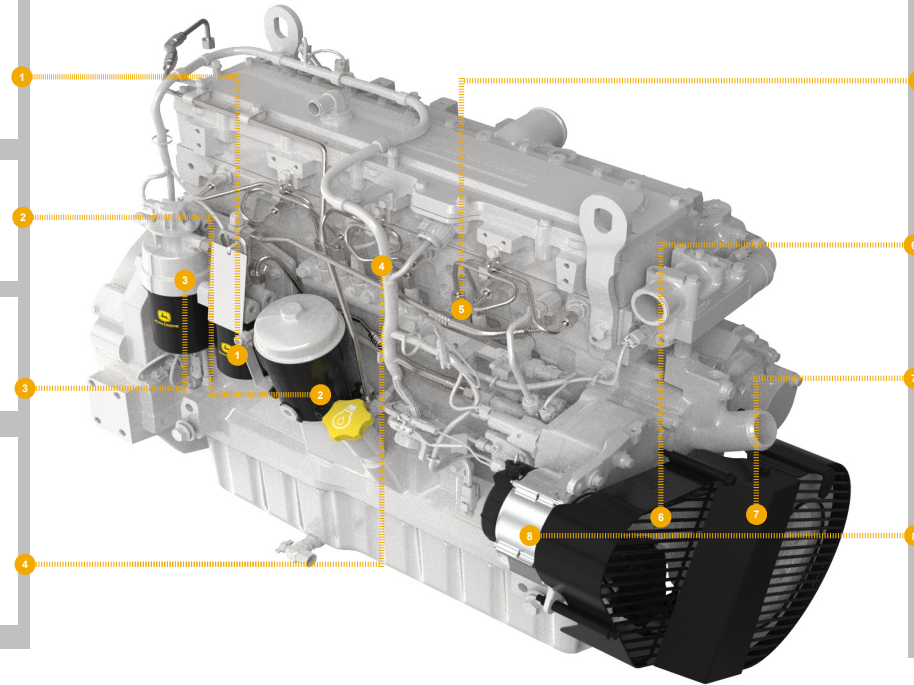
STARTER

[RE506103](#) (24V) (3005)

[RE529661](#) (12V) (3001)

[RE564633](#) (24V, 4KW) (3015)

[RE556999](#) (12V) (3014)



SHORT BLOCK ASSEMBLY

[DZ113610](#)

Also order crank damper, engine gasket kit, dipstick tube, cylinder head bolt kit, parts from short block.



TORSIONAL DAMPER

[RE537960](#) (OD = 342 mm) (1350)

[DZ119883](#) (OD = 350 mm) (1359)



FAN BELT

[DZ118761](#) (LGTH = 1296 mm) (2445, 2446, 2452, 24AM)



ALTERNATOR

[RE500226](#) (12V, 140A) (3124)

[RE551448](#) (14V, 150A) (3159)

[RE65414](#) (24V, 60A) (3161)

[RE551447](#) (28V, 100A) (3160)



JOHN DEERE

Genuine Parts and Service



REMAN PARTS GUIDE

6090AFM85 PowerTech 9.0L (Tier 3) Marine Engine



CONTROLLER

[SE502800](#) (REMAN FOR [RE531808](#))
(LEVEL 14) (8425, 8427, 8477,
8482, 8495)



CONNECTING ROD

[SE502544](#) (REMAN FOR [DZ120166](#)) (4804)



STARTER

[SE501866](#) (REMAN FOR [RE506103](#))
(24V) (3005)

[SE501867](#) (REMAN FOR [RE529661](#))
(12V) (3001)

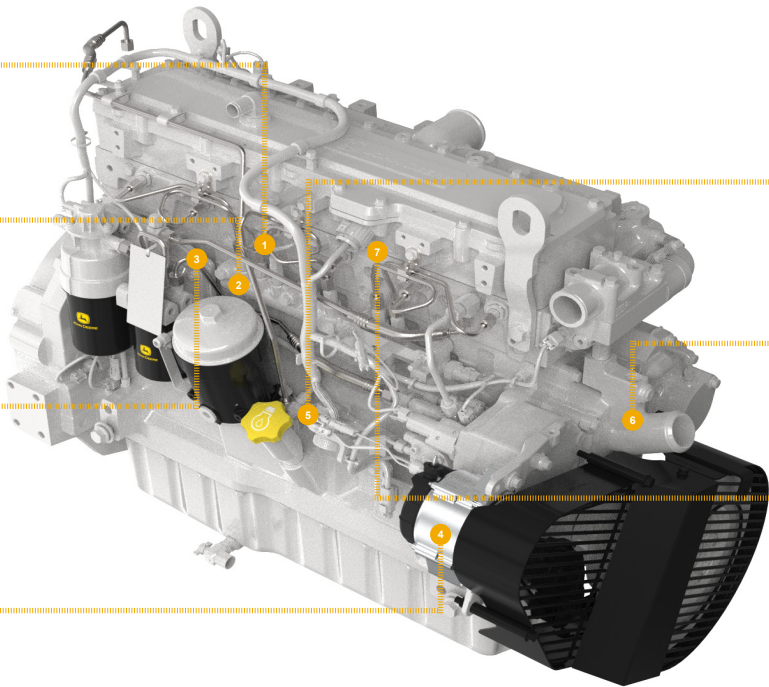
[SE502733](#) (REMAN FOR [RE564633](#))
(24V, 4KW) (3015)



ALTERNATOR

[SE501839](#) (REMAN FOR [RE500226](#))
(12V, 140A) (3124)

[SE501842](#) (REMAN FOR [RE65414](#))
(24V, 60A) (3161)



FUEL INJECTION NOZZLE

[SE501947](#) (REMAN FOR [DZ100221](#)) (1601)

FUEL INJECTION PUMP

[SE501922](#) (REMAN FOR [RE571640](#)) (1601)



OIL PUMP

[SE501228](#) (REMAN FOR [RE530194](#)) (2001)



CYLINDER HEAD

[SE501747](#) (REMAN FOR [RE523680](#)) (5101)



JOHN DEERE
Genuine Parts and Service