

REPLACEMENT PARTS GUIDE

6080A PrecisionCut Fairway Mower

ENGINE



OIL FILTER

[M806418](#)

Change every 250 hrs.



ENGINE OIL

[TY26669](#) (Plus-50™ II 10W-30)
(WITH FILTER - 3.4 L (3.6 qt))
(WITHOUT FILTER - 3.2 L (3.4 qt))

Change every 250 hrs.



FILTER ELEMENT

[M131802](#) (PRIMARY)
[M131803](#) (SECONDARY)

Change every 500 hrs.



JOHN DEERE MULTI - PURPOSE SD POLYUREA GREASE

[TY6341](#) (FOR MACHINE AND LIFT ARMS)
JOHN DEERE SPECIAL PURPOSE GOLF AND TURF CUTTING UNIT GREASE
[TY25083](#) (FOR CUTTING UNIT AND CUTTING UNIT ATTACHMENTS)

GREASE GUN

[TY26183](#)

Change As Required.



FUEL FILTER

[MIU800645](#) (NON TIER 4)

Change every 500 hrs.



V - BELT

[TCU38089](#) (LGTH = 1475 mm, TK = 12 mm, WIDTH = 11 mm) (FAN DRIVE)



FUEL SEPARATOR ELEMENT

[M811032](#)

Change every 500 hrs.



HYDRAULIC FILTER ELEMENT

[UC34161](#) (S/N (- 050000))
[UC33371](#) (S/N (050001 -))

Change After First 50 Hours.



ELECTRICAL



KEY

[AUC12681](#)



IGNITION SWITCH

[AUC18708](#)



BATTERY

[TY25876B](#) (12 V) (FOR CANADA AND USA)
[MCYP340PF](#) (12 V) (NOT FOR CANADA AND USA)



THERMOSTAT

[M811895](#)



HEAD LIGHT

[RE573609](#)



WATER TEMPERATURE SWITCH

[CH15516](#)



V - BELT

[M82461](#) (LGTH = 990.60 mm, TK = 7.87 mm, WIDTH = 12.7 mm) (SECONDARY)

FUEL & AIR



FILLER CAP

[LVA18519](#)



MUFFLER

[MIU803783](#)

REPLACEMENT PARTS GUIDE

6080A PrecisionCut Fairway Mower Reel Cutting Unit

STATIONARY KNIFE

[UC28157](#) (HEIGHT OF CUT = 4.8 mm),
(7 BLADE)

[UC18877](#) (HEIGHT OF CUT = 2.5 mm),
(7 BLADE)

[UC23445](#) (HEIGHT OF CUT = 7.6 mm),
(11 BLADE)

[UC18877](#) (HEIGHT OF CUT = 2.5 mm),
(11 BLADE)

[UC28164](#) (HEIGHT OF CUT = 2.0 mm),
(LOW CUT), (11 BLADE)

[TCU36878](#) (HEIGHT OF CUT = 2.0 mm),
(LOW CUT HARDENED
STEEL), (11 BLADE)

[UC23445](#) (HEIGHT OF CUT = 7.6 mm),
(18 INCH), (11 - BLADE)

MOWER REEL

[TCA19348](#) (7 BLADE)

[TCA19349](#) (11 BLADE)

SYNCHRONOUS BELT

[TCU32422](#) (LGTH = 375 mm, WIDTH = 11 mm)

VOLTAGE REGULATOR

[TCA21972](#)

SCRAPER

[TCA19585](#) (GROOVED FRONT ROLLER
SCRAPER), (2 INCH)

[BM23014](#) (GROOVED FRONT ROLLER
SCRAPER), (3 INCH)

[BM23015](#) SMOOTH ROLLER SCRAPER,
(18 INCH)

[BUC10428](#) (SMOOTH SCRAPER), (2 INCH),
(FRONT)

GRASS CATCHER

[BUC10617](#) (LOW CAPACITY), (18 INCH)

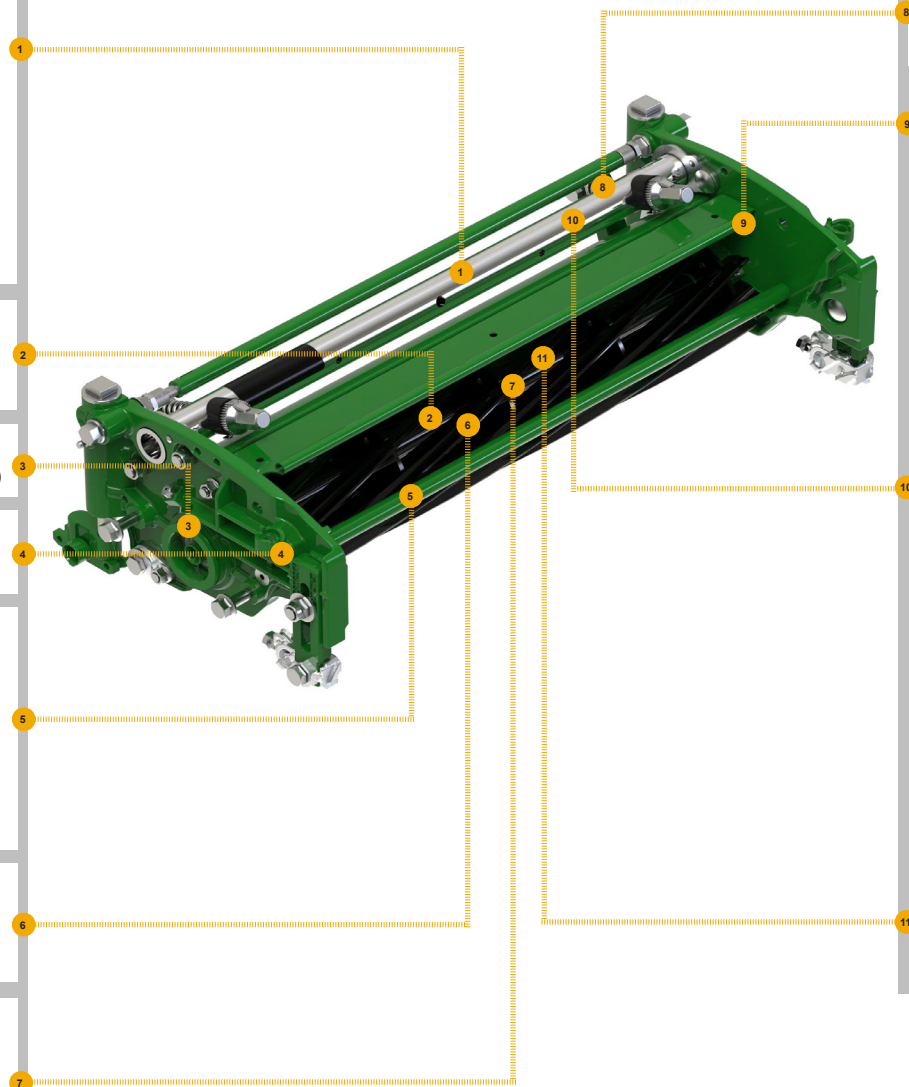
[BTC11039](#) (HIGH CAPACITY), (18 INCH)

VERTICAL CUTTING UNIT

[M811936](#) (ADJUSTER)

[TCU26776](#) (BLADE)

[AUC14974](#) (SHAFT)



TORSION SPRING

[TCU39484](#) (RH, LATCH)

[TCU39483](#) (LH, LATCH)

BRACKET

[UC16109](#) (RH)

[UC18211](#) (LH)

ROLLER

[BM22879](#) (MACHINED SPIRAL GROOVE
FRONT ROLLER), (2 INCH)

[BM22868](#) (MACHINED GROOVED FRONT
ROLLER), (2 INCH)

[BM23567](#) (SPIRAL ROLLER), (2 INCH)

[BM24203](#) (ROLLERS), (TUBE), (2 INCH)

[BM25316](#) (GROOVED DISK ROLLER),
(3 INCH)

[TCA19509](#) (SMOOTH ROLLER), (3 INCH)

[BM24203](#) (GREENS ROLLER), (2 INCH)

[BM24204](#) (HOLLOW SMOOTH ROLLER),
(2 INCH)

[AMT2981](#) (SMOOTH FRONT ROLLER),
(2 INCH)

[AMT2979](#) (GROOVED FRONT ROLLER
W/ FLATS), (18 INCH)

[BTC10281](#) (RELIEVED SHORT GROOVED
ROLLER), (2 INCH)

[BM20561](#) (MACHINED SMOOTH FRONT
ROLLER), (2 - 3/8 INCH)

[BUC10787](#) (SMOOTH ROLLER,
W/ BEARING), (18 INCH)

REEL CUTTING UNIT

[BUC11254](#) (18 INCH), (7 - BLADE)

[BUC10412](#) (18 INCH), (11 - BLADE)