

REPLACEMENT PARTS GUIDE

6068TF275 PowerTech 6.8L OEM Engine (Saran and Torreon)



ALTERNATOR

- [RE537146](#) (28V, 50A) (3142)
- [DZ117503](#) (24V, 140A) (3127)
- [AT208541](#) (24V, 80A) (3125)
- [AXE28087](#) (12V, 185A) (31A1)
- [RE506196](#) (12V, 55A) (3115)
- [RE533516](#) (12V, 75A)
(3109, 3111, 3138, 3139)
- [RE533654](#) (12V, 120A) (3141)
- [RE533653](#) (12V, 95A) (3140)
- [RE505895](#) (12V, 75A) (3135)



FINAL FUEL FILTER

- [RE509031](#) (35CC, 35BW, 35BV)
- Replace 500 Hours of Operation or Every 12 Months.



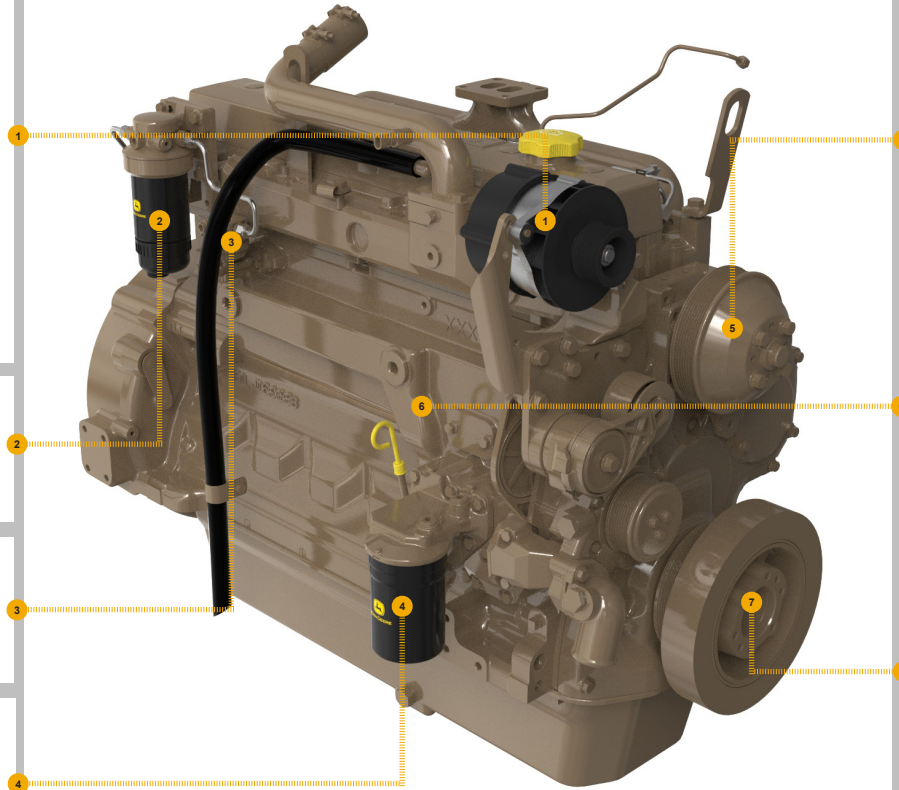
PRIMARY FUEL FILTER

- [RE509208](#) (8127, 8128, 8130, 8131)
- Replace 500 Hours of Operation or Every 12 Months.



OIL FILTER

- [RE504836](#) (8842, 8843, 8844, 8845, 8846, 8847, 8848, 8849)
- Replace 500 Hours of Operation or Every 12 Months.



FAN PULLEY

- [R128658](#) (OD = 140 mm)
(8604, 8607, 8610, 8629, 8601)
- [R128660](#) (OD = 168 mm)
(8611, 8602, 8608, 8605)
- [R128662](#) (OD = 203 mm)
(8609, 8603, 8630, 8612, 8606)



SHORT BLOCK ASSEMBLY

- [RE520383](#) FOR BOSCH VP44 INJ. PUMP W/O AUX DRIVE ALSO ORDER [RE509841](#) KIT; FOR BOSCH VP44 INJ; USE WITH 4828; MARKED [R504850](#)
- [RE520385](#) (WITH STANADYNE DE10 FUEL INJECTION PUMP) (USE WITH 4820) ALSO ORDER [RE526965](#) AND [DD15664](#)



CRANKSHAFT PULLEY WITH DAMPENER

- [RE508578](#) (OD = 188 mm) (1320)
- [RE505939](#) (OD = 188 mm) (1321)
- [RE508577](#) (OD = 168 mm) (1323)
- [RE505881](#) (OD = 168 mm) (1324)



REPLACEMENT PARTS GUIDE

6068TF275 PowerTech 6.8L OEM Engine (Saran and Torreon)



FAN BELT

- [DZ119478](#) (LGTH = 1570 mm) (2420, 240S)
- [DZ119715](#) (LGTH = 1625 mm)
(2438, 24DF, 24DR, 2429, 2482)
- [DZ119521](#) (LGTH = 1610 mm)
(24CC, 2412, 24DL, 24DT)
- [DZ118764](#) (LGTH = 1525 mm) (2403, 2405)
- [DZ119531](#) (LGTH = 2320 mm) (2433)
- [T428825](#) (LGTH = 1650 mm)
(24CE, 2425, 24EE, 2480)
- [DZ118783](#) (LGTH = 1685 mm) (24BX)
- [DZ119522](#) (LGTH = 1630 mm) (2419, 24DM)
- [DZ119060](#) (LGTH = 1555 mm)
(2422, 2401, 2471)
- [T428820](#) (LGTH = 1580 mm)
(24AN, 240T, 240V, 24CU, 2402, 2479, 2421)
- [DZ119477](#) (LGTH = 1565 mm) (2415, 2476)
- [DZ115455](#) (LGTH = 1550 mm)
(24CW, 24AJ, 240W)
- [DZ114929](#) (LGTH = 1655 mm) (24DO, 24DS)
- [DZ119516](#) (LGTH = 1600 mm)
(2411, 24DB, 24DD, 2435, 2441)
- [T428818](#) (LGTH = 1590 mm) (24CQ, 2424)
- [DZ119416](#) (LGTH = 1565 mm)
(2416, 2413, 2475, 24BT)
- [DZ119639](#) (LGTH = 2415 mm) (24BW)
- [DZ118781](#) (LGTH = 1700 mm) (24DZ, 24BY)
- [T428694](#) (LGTH = 1710 mm) (24BZ)
- [DZ118815](#) (LGTH = 1725 mm) (24ED, 24CA)
- [T428822](#) (LGTH = 1615 mm)
(24CU, 2402, 24DJ, 24DE, 24CN, 24CB)
- [T428725](#) (LGTH = 1640 mm)
(24DG, 24DU, 24CD)
- [DZ119032](#) (LGTH = 2495 mm) (24CX)
- [DZ113132](#) (LGTH = 1545 mm) (24GE)
- [T428692](#) (LGTH = 1665 mm) (24DY, 24DX)
- [DZ115812](#) (LGTH = 1680 mm) (24EF)
- [DZ119515](#) (LGTH = 1585 mm) (2474, 2473)



FAN BELT

- [DZ119062](#) (LGTH = 1550 mm) (240D, 240R)
- [T428724](#) (LGTH = 1575 mm) (2409)
- [DZ119520](#) (LGTH = 1605 mm)
(2478, 2417, 2477)
- [DZ117268](#) (LGTH = 1530 mm) (24BK)
- [T428863](#) (LGTH = 1620 mm) (24DC, 2418)
- [T428823](#) (LGTH = 1635 mm)
(24DN, 24DV, 24DK)
- [R134625](#) (LGTH = 1645 mm) (24DP)
- [DZ119530](#) (LGTH = 1675 mm) (2427, 24DQ)
- [DZ119533](#) (LGTH = 2360 mm) (24EA)
- [DZ119018](#) (LGTH = 2395 mm) (24EB)
- [DZ117267](#) (LGTH = 1690 mm) (24EC)
- [DZ119063](#) (LGTH = 1560 mm) (2472)
- [DZ119061](#) (LGTH = 1540 mm) (2414)

STARTER MOTOR

- [RE540301](#) (12V, 2.5KW) (3005)
- [DZ110083](#) (24V, 4KW) (3067, 3096)
- [RE65175](#) (3003)
- [RE549229](#) (12V) (3013)
- [RE501166](#) (12V) (3026)
- [RE507639](#) (12V) (3073)
- [RE523502](#) (12V, 4.2KW, RH) (3088, 3084)
- [RE523501](#) (12V, 4.2KW, LH) (3088, 3073)
- [RE546868](#) (12V, 3.2KW) (3062)
- [RE70960](#) (12V, RH) (3060, 3010)
- [RE70957](#) (12V, LH) (3060, 3006)
- [RE70961](#) (24V, RH) (3061, 3001)
- [RE501150](#) (24V, LH) (3061, 3041)
- [RE551644](#) (24V, 7.8KW) (3011)
- [RE64474](#) (3025)



REMAN PARTS GUIDE

6068TF275 PowerTech 6.8L OEM Engine (Saran and Torreon)



ALTERNATOR

- [SE501348](#) (REMAN FOR [AT208541](#))
(24V, 80A) (3125)
- [SE501832](#) (REMAN FOR [AXE28087](#))
(12V, 185A) (31A1)
- [RM100224](#) (REMAN FOR [RE505895](#))
(12V, 75A) (3135)
- [SE501823](#) (REMAN FOR [RE506196](#))
(12V, 55A) (3115)
- [SE502626](#) (REMAN FOR [RE533516](#))
(12V, 75A) (3109)
- [SE502627](#) (REMAN FOR [RE533653](#))
(12V, 95A) (3140)
- [SE502628](#) (REMAN FOR [RE533654](#))
(12V, 120A) (3141)
- [SE501341](#) (REMAN FOR [RE537146](#))
(28V, 50A) (3142)



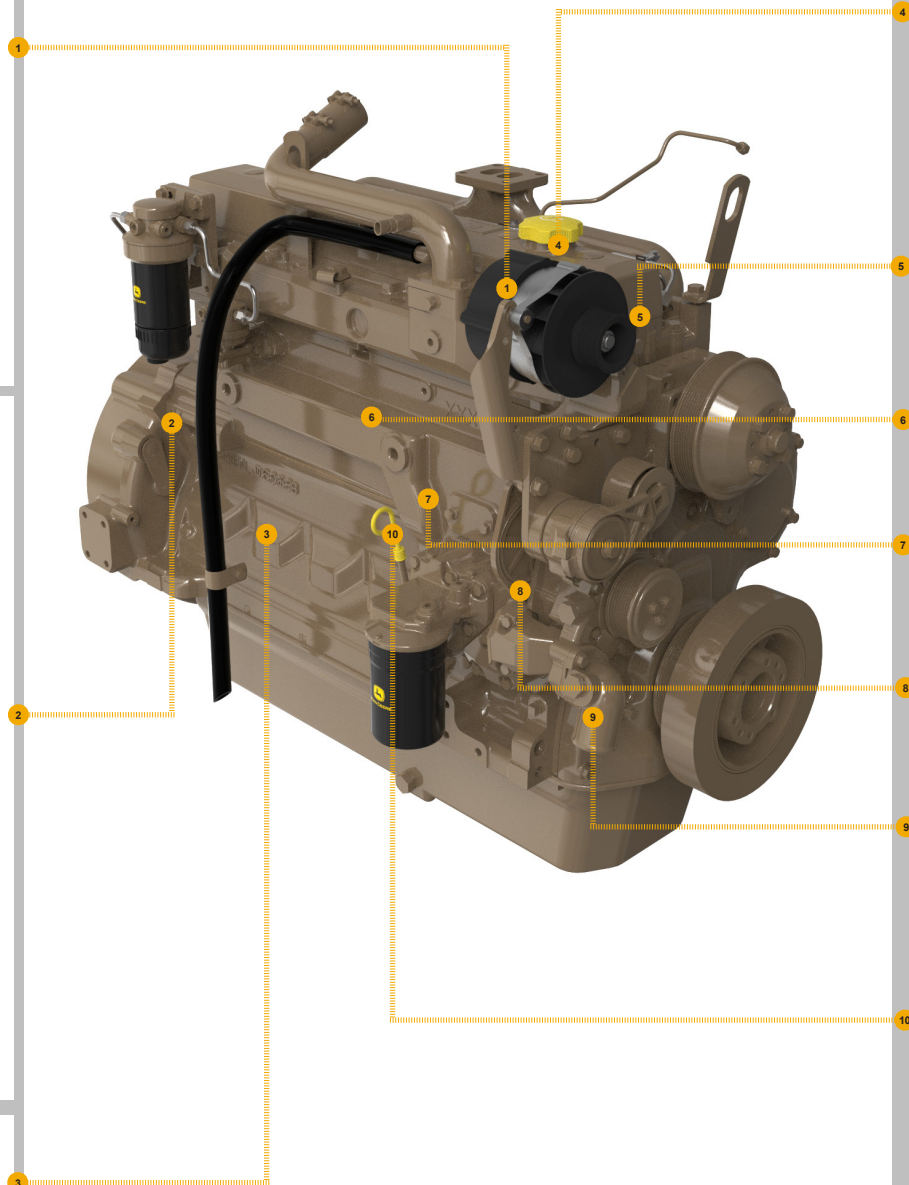
STARTER MOTOR

- [SE501406](#) (REMAN FOR [RE501150](#))
(24V, LH) (3061, 3041)
- [SE501850](#) (REMAN FOR [RE507639](#))
(12V) (3073)
- [SE502631](#) (REMAN FOR [RE523501](#))
(12V, 4.2KW, LH) (3088, 3073)
- [SE502632](#) (REMAN FOR [RE523502](#))
(12V, 4.2KW, RH) (3088, 3084)
- [SE501401](#) (REMAN FOR [RE540301](#))
(12V, 2.5KW) (3005)
- [SE502736](#) (REMAN FOR [RE551644](#))
(24V, 7.8KW) (3011)
- [SE501408](#) (REMAN FOR [RE65175](#)) (3003)
- [SE501403](#) (REMAN FOR [RE70957](#))
(12V, LH) (3060, 3006)
- [SE501405](#) (REMAN FOR [RE70960](#))
(12V, RH) (3060, 3010)
- [SE501407](#) (REMAN FOR [RE70961](#))
(24V, RH) (3061, 3001)
- [SE502558](#) (REMAN FOR [RE549229](#))
(12V) (3013)



FUEL INJECTION PUMP

- [SE501237](#) (REMAN FOR [RE568067](#) AND [RE518164](#)) (163M, 161J, 163F)



TURBOCHARGER

- [SE502333](#) (REMAN FOR [RE509435](#))
(65EB, 65EC)
- [SE502334](#) (REMAN FOR [RE509807](#))
(65DX, 65DY, 65FQ)
- [SE502161](#) (REMAN FOR [RE516669](#))
(65GW, 65GX, 65GY, 65GZ, 65KY)



AC COMPRESSOR

- [SE503064](#) (REMAN FOR [AT172975](#))
(24V, 10PA) (7411, 7413)
- [SE503065](#) (REMAN FOR [RE46609](#))
(24V, 10PA) (7410, 7412)



CYLINDER HEAD

- [SE501581](#) (REMAN FOR [RE57489](#)) (5107)



CONNECTING RODS

- [SE501096](#) (REMAN FOR [RE500002](#)) (4828)
- [SE501094](#) (REMAN FOR [RE500608](#)) (4820)



OIL PUMP

- [SE501814](#) (REMAN FOR [DZ100057](#))
(5001, 5018)



WATER PUMP

- [SE501609](#) (REMAN FOR [RE546906](#))
(4425, 4426)



COMPLETE BLOCK ASSEMBLY

[SE501150](#) (w/o Auxiliary Drive May not be as illustrated. Includes cylinder head with valves and rocker arm assembly, oil pump assembly, complete gasket kit with front and rear seals).

[SE501152](#) (w/ Auxiliary Drive May not be as illustrated. Includes cylinder head with valves and rocker arm assembly, oil pump assembly, complete gasket kit with front and rear seals).



JOHN DEERE
Genuine Parts and Service