

REPLACEMENT PARTS GUIDE

6068SFM50 PowerTech 6.8L Marine Engine



PRIMARY FUEL FILTER

[RE515368](#) (8123, 8124)

Replace 500 Hours of Operation or Every 12 Months.



FINAL FUEL FILTER

[RE62420](#) (35BU)

Replace 500 Hours of Operation or Every 12 Months.



STARTER MOTOR

[RE564633](#) (24V, 4KW) (3090)

[RE70957](#) (12V) (3006)

[RE536490](#) (12V, 4KW) (30AG)

[RE501150](#) (24V) (3041)

ALTERNATOR

[RE537146](#) (28V, 50A) (3142, 3104)

[DZ117503](#) (24V, 140A) (3127)

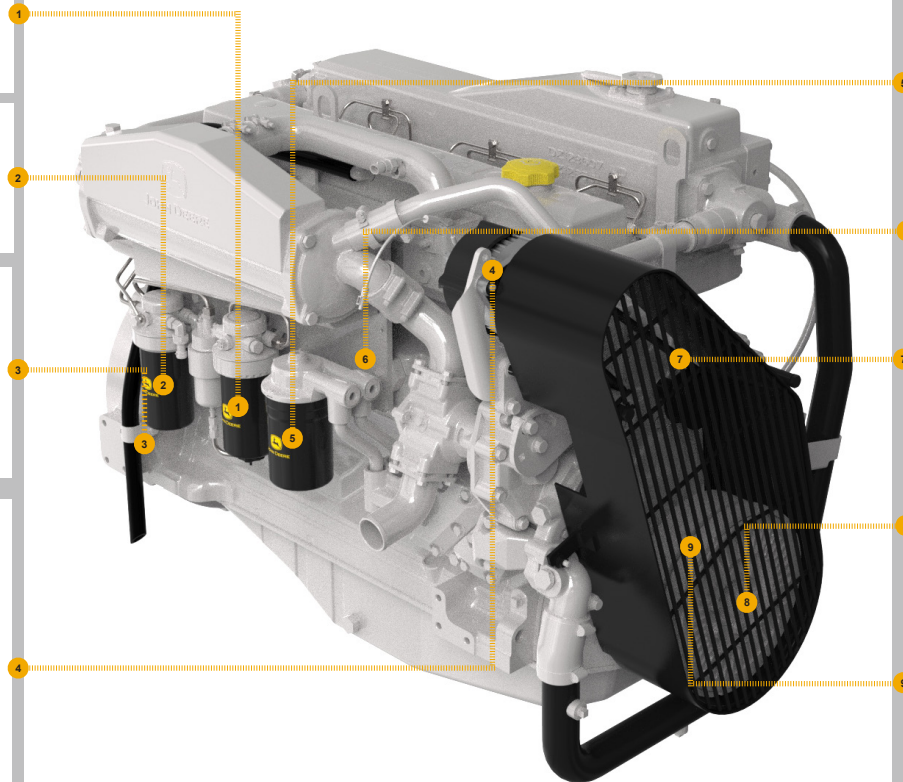
[RE540412](#) (14V, 75A) (3148)

[RE540413](#) (28V, 50A) (3149)

[RE533653](#) (12V, 95A) (3107, 3140)

[RE533654](#) (12V, 120A) (3108, 3141)

[RE533516](#) (12V, 75A) (3109, 3138)



OIL FILTER

[RE504836](#) (8843)

Replace 500 Hours of Operation or Every 12 Months.



SHORT BLOCK ASSEMBLY

[RE520385](#) (MARKED [R504850](#))



FAN BELT

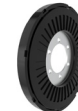
[R500277](#) (LGTH = 1580 mm) (24BS)

[DZ119515](#) (LGTH = 1585 mm) (24DA)



CRANKSHAFT PULLEY WITH DAMPENER

[RE505940](#) (OD = 168 mm) (1330)



TORSIONAL DAMPER

[RE57604](#) (OD = 271 mm) (6811)

Replace 8000 Hours of Operation or Every 36 Months.



JOHN DEERE
Genuine Parts and Service

REMAN PARTS GUIDE

6068SFM50 PowerTech 6.8L Marine Engine



FUEL INJECTION PUMP

- [SE501614](#) (REMAN FOR [RE515887](#)) (161E)
- [SE501615](#) (REMAN FOR [RE515888](#)) (162K)



WATER PUMP

- [SE501951](#) (REMAN FOR [RE504911](#)) (4412)
- [SE501609](#) (REMAN FOR [RE546906](#)) (4425)



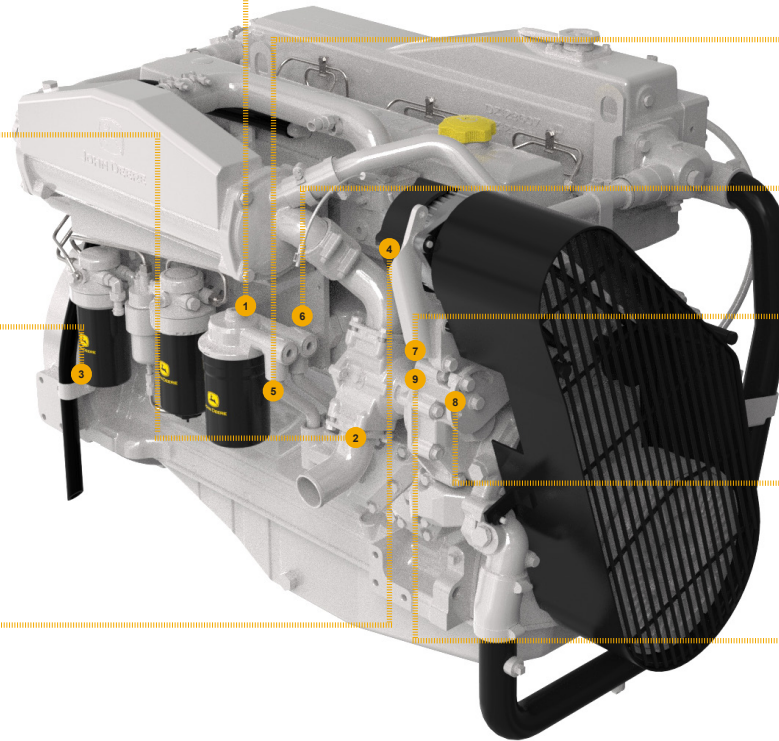
STARTER MOTOR

- [SE501406](#) (REMAN FOR [RE501150](#)) (24V) (3041)
- [SE502733](#) (REMAN FOR [RE564633](#)) (24V, 4KW) (3090)
- [SE501403](#) (REMAN FOR [RE70957](#)) (12V) (3006)



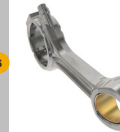
ALTERNATOR

- [SE502627](#) (REMAN FOR [RE533653](#)) (12V, 95A) (3107, 3140)
- [SE502628](#) (REMAN FOR [RE533654](#)) (12V, 120A) (3108, 3141)
- [SE501343](#) (REMAN FOR [AH165975](#)) (12V, 120A) (3108, 3141)
- [SE502626](#) (REMAN FOR [RE533516](#)) (12V, 75A) (3109, 3138)
- [RM100226](#) (REMAN FOR [RE540412](#)) (14V, 75A) (3148)



OIL PUMP

- [SE501814](#) (REMAN FOR [DZ100057](#)) (5001)



CONNECTING RODS

- [SE501094](#) (REMAN FOR [RE500608](#)) (4820)



CYLINDER HEAD

- [SE501581](#) (REMAN FOR [RE57489](#)) (5107)



TURBOCHARGER

- [SE502379](#) (REMAN FOR [RE515260](#)) (65DT)



COMPLETE BLOCK ASSEMBLY

- [SE500738](#)

May Not Be As Illustrated Includes Cylinder Head With Valves And Rocker Arm Assembly, Includes Balancer Shafts, Oil Pump Assembly, Complete Gasket Kit With Front And Rear Seals.



JOHN DEERE
Genuine Parts and Service