

REPLACEMENT PART GUIDE

6068HYF01 PowerTech PTE 6.8L Sprayer PLA OEM Engine (Tier-3)



PRIMARY FUEL FILTER

[RE541922](#) (8171)



FINAL FUEL FILTER

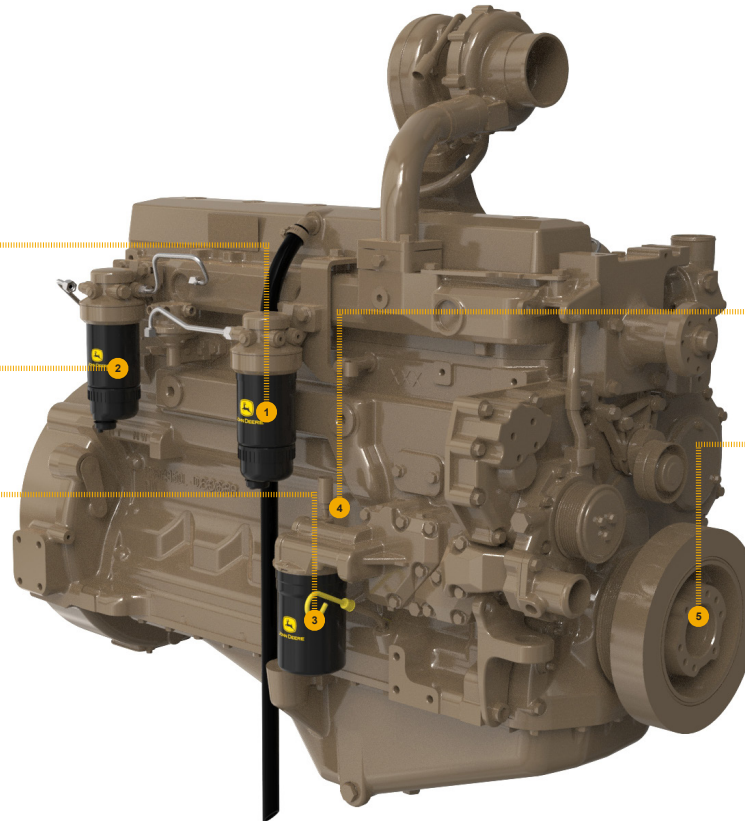
[RE541925](#) (35K1) (744323 -)

[RE522878](#) (35A6) (- 744322)



OIL FILTER

[RE504836](#) (88BF)



STARTER MOTOR

[RE501298](#) (12V, 4KW) (30CD)



CRANKSHAFT PULLEY WITH DAMPENER

[RE505881](#) (OD = 168 mm) (1324)



JOHN DEERE

Genuine Parts and Service

REMAN PARTS GUIDE

6068HYF01 PowerTech PTE 6.8L Sprayer PLA OEM Engine (Tier-3)



FUEL INJECTION NOZZLE

[SE501925](#) (REMAN FOR [DZ100212](#)) (16AC)



FUEL INJECTION PUMP

[SE501915](#) (REMAN FOR [RE507959](#)) (16AC)



STARTER MOTOR

[SE501403](#) (REMAN FOR [RE501298](#))
(12V, 4KW) (30CD)



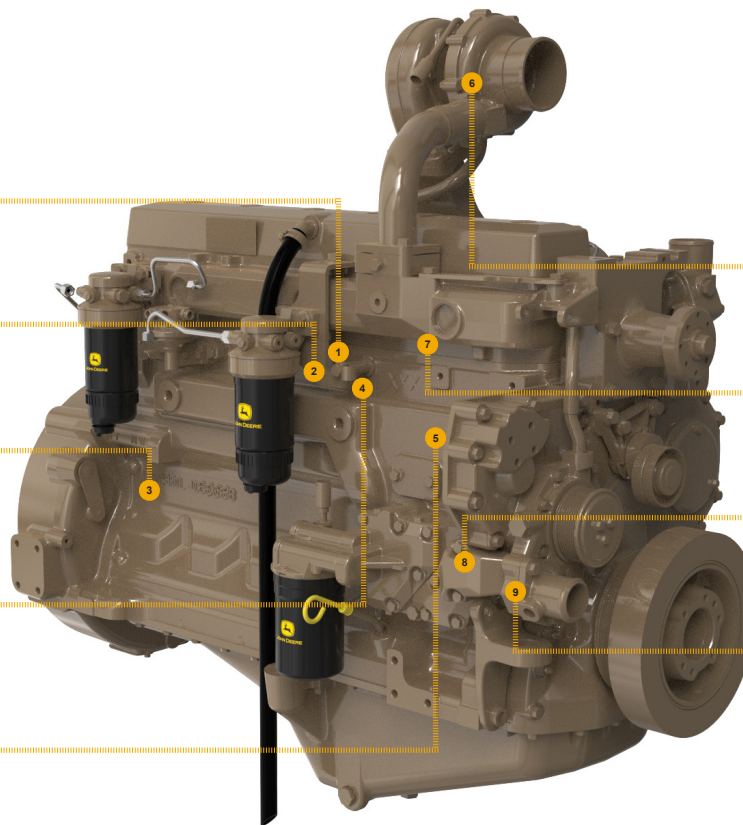
CONNECTING RODS

[SE501094](#) (REMAN FOR [RE500608](#)) (4839)



CYLINDER HEAD

[SE501805](#) (REMAN FOR [RE525456](#)) (5123)



TURBOCHARGER

[SE502192](#) (REMAN FOR [RE550941](#)) (656H)



ENGINE CONTROLLER

[SE502802](#) (REMAN FOR [RE526588](#))
(LEVEL 16, 24V/12V) (16AC)



OIL PUMP

[SE501813](#) (REMAN FOR [DZ100021](#)) (5024)



WATER PUMP

[SE501609](#) (REMAN FOR [RE546906](#)) (44BZ)



JOHN DEERE
Genuine Parts and Service