

REPLACEMENT PART GUIDE

6068HN077 PowerTech 6.8L Mazzoti OEM Engine (Tier II)



FUEL FILTER

[RE541746](#) (35HB)

Replace 500 Hours of Operation or Every 12 Months.

FAN PULLEY

[R128662](#) (OD = 203 mm) (8668)

[R128661](#) (OD = 183.5 mm) (7449)

STARTER MOTOR

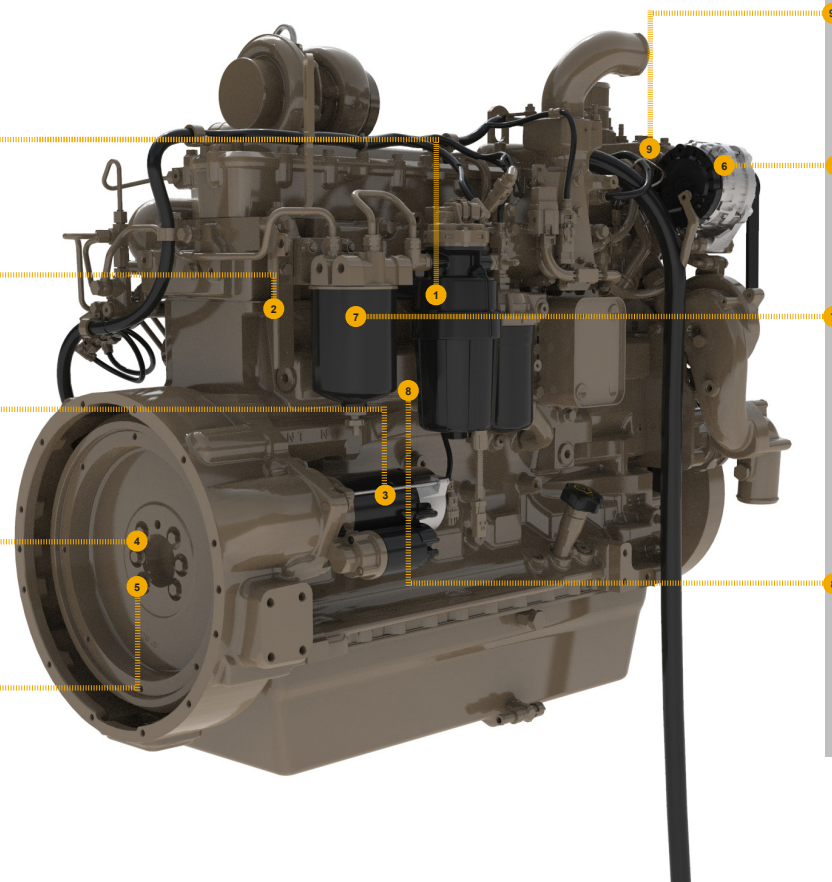
[RE556973](#) (12V, 4.2KW) (30BG)

TORSIONAL DAMPER

[RE57604](#) (OD = 271 mm) (6811)

CRANKSHAFT PULLEY WITH DAMPENER

[RE505941](#) (OD = 188 mm) (1322)



FAN BELT

[DZ118559](#) (LGTH = 1700 mm) (24JV)



ALTERNATOR

[RE555751](#) (12V, 200A) (31AF)



OIL FILTER

[RE539279](#) (5970)

Replace 500 Hours of Operation or Every 12 Months.

SHORT BLOCK ASSEMBLY

[DZ109866](#)



Also Order: Crank Damper, Engine Gasket Kit, Dipstick Tube, Oil Pump, Cylinder Head Bolt Kit, Crank Wheel, (1) DZ109926 Bushing, (1) DZ109927 Valve, (1) DZ106855 Spring, (1) DZ109925 Fitting Plug, (1) R121043 Valve, (1) R111137 Spring, And Parts From The Short Block Hardware Kit As Needed PISTON MARKED RE544601

REMAN PARTS GUIDE

6068HN077 PowerTech 6.8L Mazzoti OEM Engine (Tier II)



FUEL INJECTION PUMP

[SE502553](#) (REMAN FOR [RE543262](#)) (16CB)



FUEL INJECTION NOZZLE

[SE501934](#) (REMAN FOR [DZ100218](#)) (16CB)



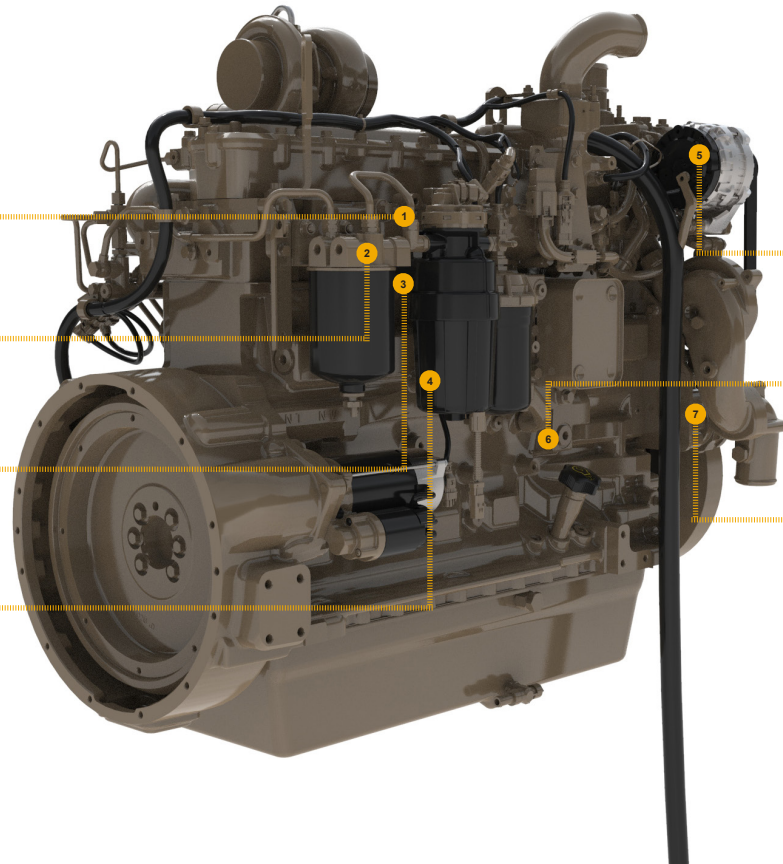
CONNECTING RODS

[SE501094](#) (REMAN FOR [RE500608](#)) (4848)



CYLINDER HEAD

[SE502648](#) (REMAN FOR [RE588251](#)) (5137)



ALTERNATOR

[SE502680](#) (REMAN FOR [RE555751](#))
(12V, 200A) (31AF)



OIL PUMP

[SE502630](#) (REMAN FOR [RE538993](#)) (5027)



WATER PUMP

[SE502636](#) (REMAN FOR [RE539091](#)) (2050)



JOHN DEERE
Genuine Parts and Service