

REPLACEMENT PART GUIDE

6068HF150R02 PowerTech 6.8L OEM (Non-Certified Engine)



ALTERNATOR

[RE533516](#) (12V, 75A) (3111, 3154)



FUEL FILTER

[RE62419](#) (35GM)

Replace 500 Hours of Operation or Every 12 Months.



STARTER MOTOR

[RE523502](#) (12V, 4.2KW) (30AS)

[DZ110068](#) (12V) (30DJ)



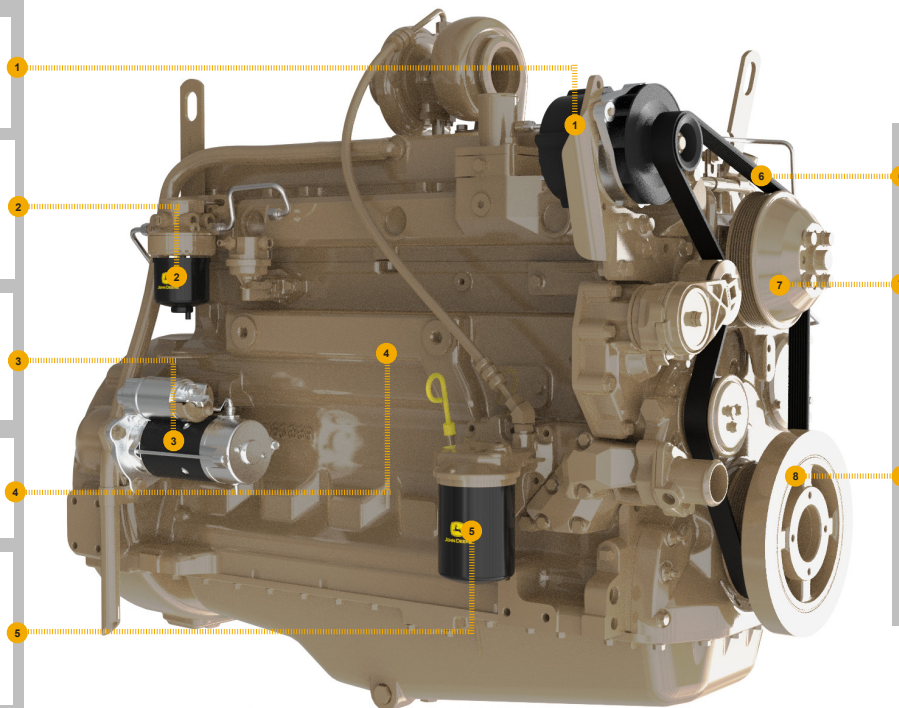
SHORT BLOCK ASSEMBLY

[RE571655](#)



[DZ118286](#) (8801, 88AT)

Replace 500 Hours of Operation or Every 12 Months.



FAN BELT

[R500277](#) (LGTH = 1500 mm) (2457)



FAN PULLEY

[R128658](#) (OD = 140 mm) (8604, 8688)



CRANKSHAFT PULLEY

[R133295](#) (OD = 173 mm) (1306)



TORSIONAL DAMPER

[RE500013](#) (OD = 264 mm) (6803)



JOHN DEERE
Genuine Parts and Service

REMAN PART GUIDE

6068HF150R02 PowerTech 6.8L OEM (Non-Certified Engine)



ALTERNATOR

[SE502626](#) (REMAN FOR [RE533516](#))
(12V, 75A) (3111, 3154)



STARTER MOTOR

[SE502632](#) (REMAN FOR [RE523502](#))
(12V, 4.2KW) (30AS)



OIL PUMP

[SE501814](#) (REMAN FOR [DZ100057](#)) (5001)



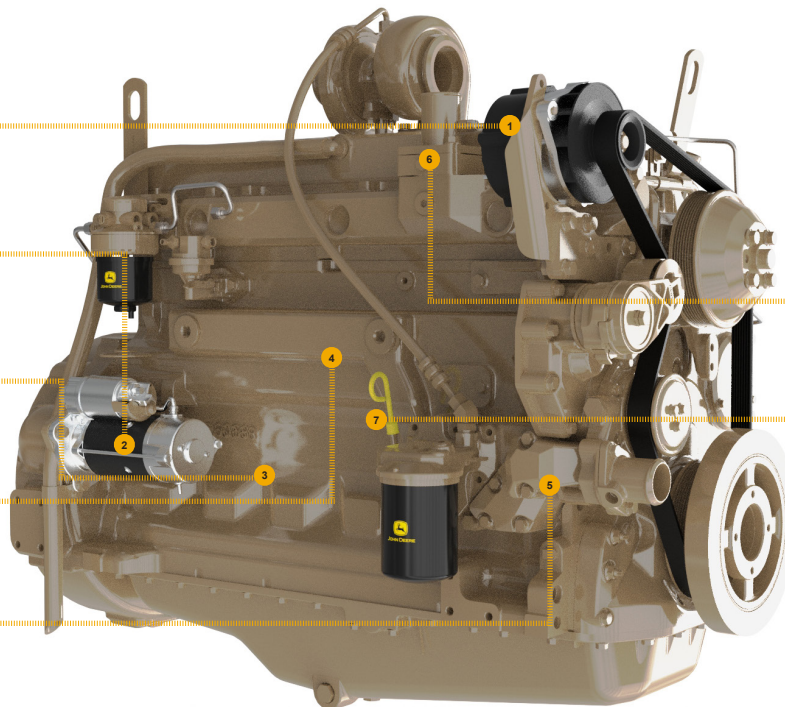
CONNECTING RODS

[SE501094](#) (REMAN FOR [RE500608](#)) (4820)



WATER PUMP

[SE501609](#) (REMAN FOR [RE546906](#)) (4426)



TURBOCHARGER

[SE502334](#) (REMAN FOR [RE509807](#)) (65WY)



CYLINDER HEAD

[SE501581](#) (REMAN FOR [RE57489](#)) (5107)



JOHN DEERE
Genuine Parts and Service