



# REPLACEMENT PART GUIDE

6068HSG22-DZ108575 Power Unit for GenSet 6.8L (202KW - 1500RPM) SDMO Non-Certified Engine

## SHORT BLOCK ASSEMBLY

[DZ110282](#) (MARKED R504850)

Also order engine gasket kit, dipstick tube, oil pump, cylinder head bolt kit, damper (if applicable), R121043 valve, R111137 spring, and parts from the short block hardware kit as needed.



## OIL FILTER

[DZ118286](#) (88AA)

500 hrs of operation or every 12 months.



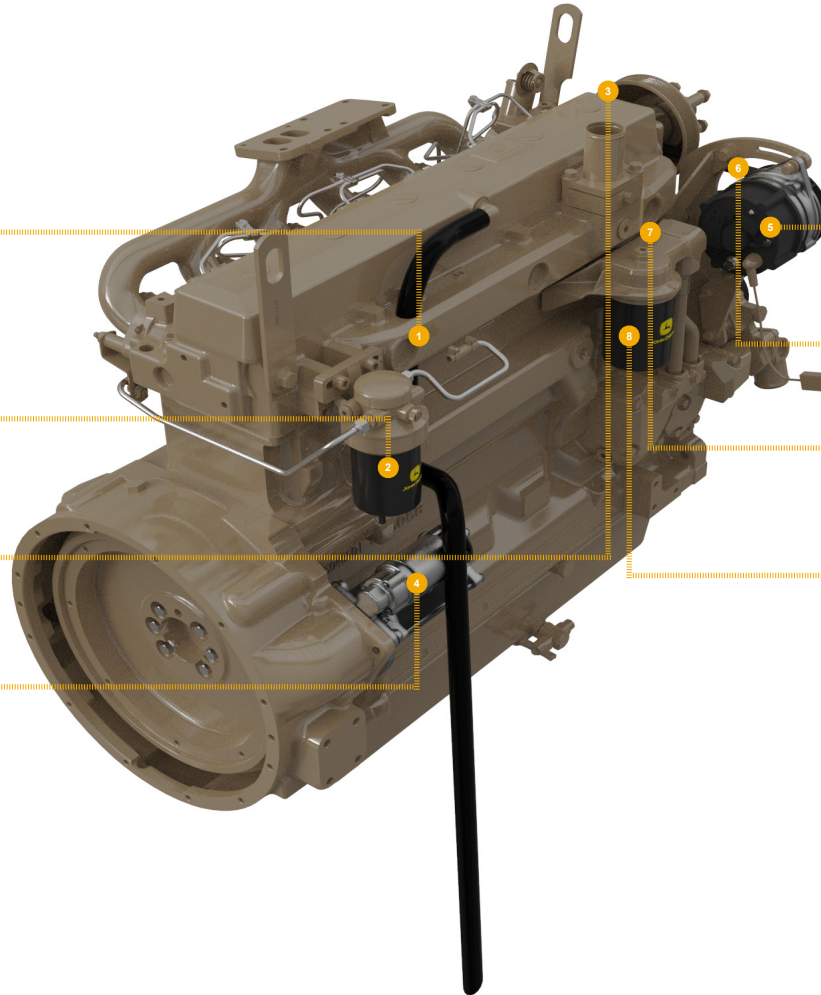
## FAN PULLEY

[R128660](#) (OD = 168 mm) (8605)



## STARTER

[RE546868](#) (ISKRA, 12 V, 3.2 KW) (30BA)



## ALTERNATOR

[RE533516](#) (ISKRA, 12 V, 75 A) (3109)



## FAN BELT

[DZ117268](#) (LGTH = 1530 mm) (24BK)



## CRANK SHAFT PULLEY

[RE505939](#) (OD = 255 mm) (1321)



## FUEL FILTER

[RE62418](#) (35D3)

500 hrs of operation or every 12 months.



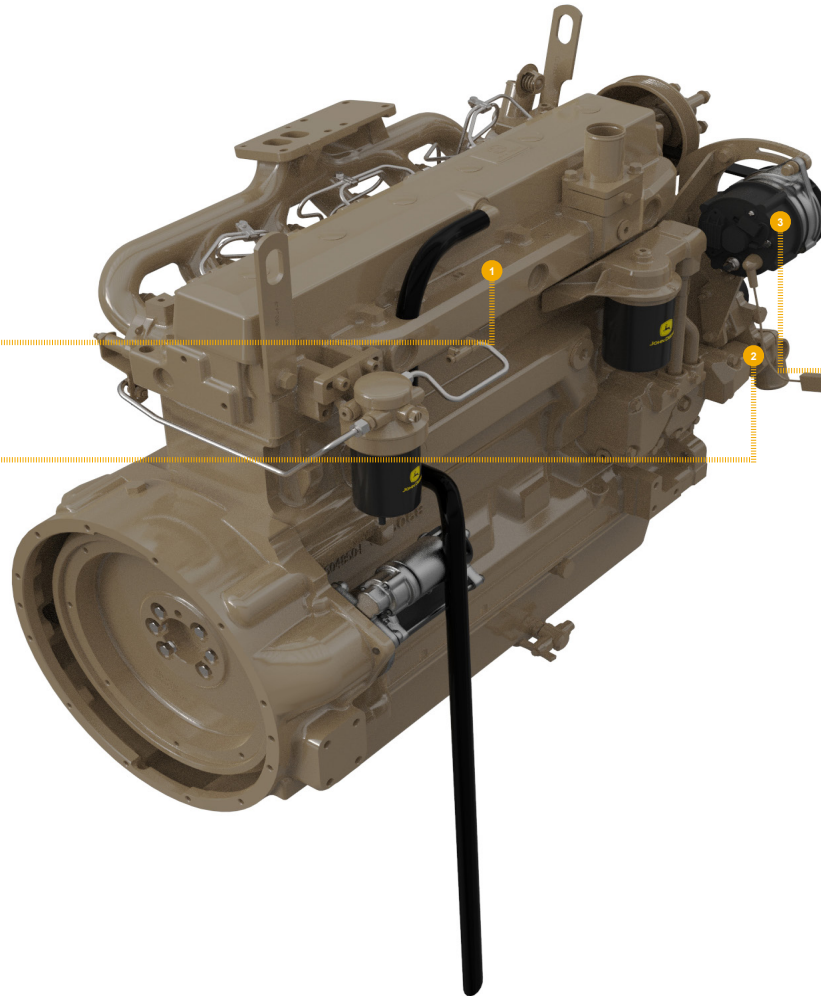
**JOHN DEERE**

Genuine Parts and Service



# REMAN PARTS GUIDE

6068HSG22-DZ108575 Power Unit for GenSet 6.8L (202KW - 1500RPM) SDMO Non-Certified Engine



## CONNECTING ROD

[SE501094](#) (REMAN FOR [RE500608](#))  
(48AK) (9901)



## WATER PUMP

[SE501609](#) (REMAN FOR [RE505980](#) AND [RE546906](#))



## ALTERNATOR

[SE502626](#) (REMAN FOR [RE533516](#))  
(ISKRA, 12 V, 75 A) (3109)

[SE501387](#) (REMAN FOR [AT173624](#))  
(BOSCH, 12 V, 65 A) (3109)



**JOHN DEERE**  
Genuine Parts and Service