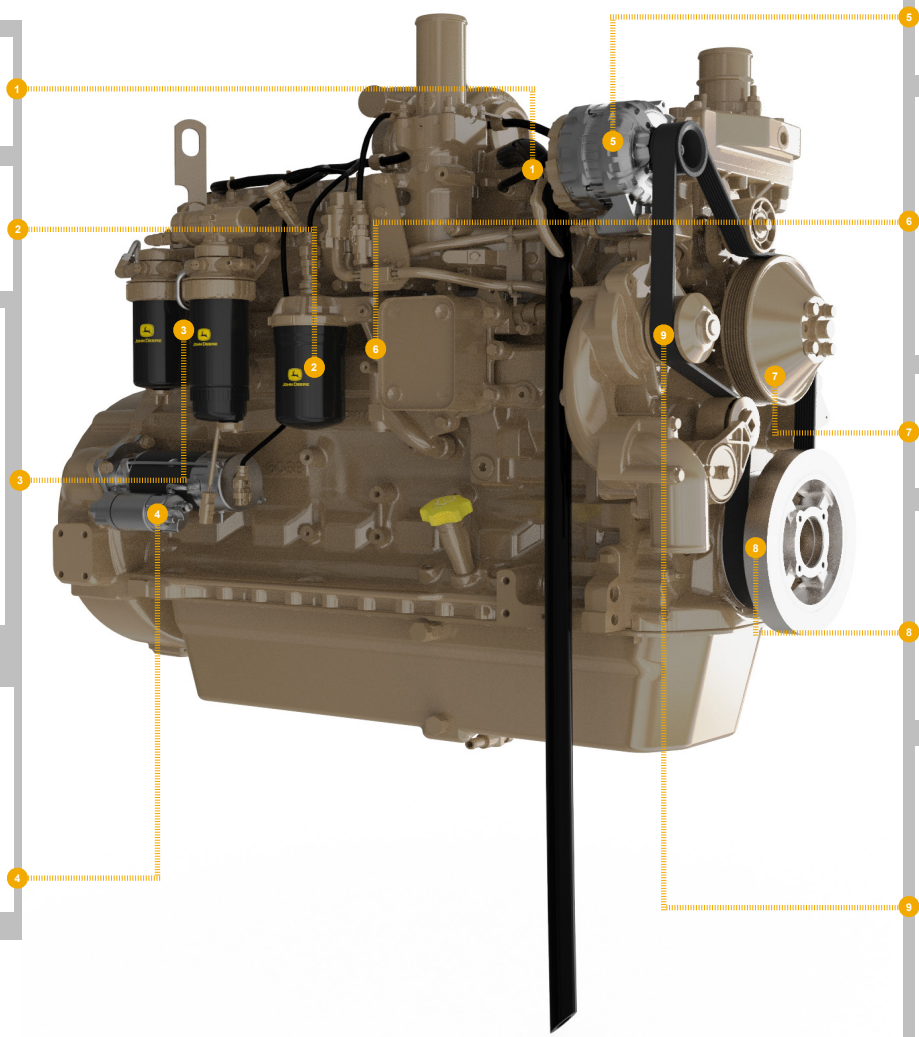




REPLACEMENT PART GUIDE

6068HFG55 PowerTech 2.9L OEM Engine



OCV FILTER

[DZ105796](#) (29AA) (29DA)

500 hrs of operation or every 12 months



OIL FILTER

[RE539279](#) (5957)

500 hrs of operation or every 12 months.



FUEL FILTER

[RE525523](#) (35HB)

FILTER KIT

[RE541746](#) (INCLUDES PRIMARY AND SECONDARY FILTER ELEMENTS) (35HB)

500 hrs of operation or every 12 months



STARTER

[RE564633](#) (24 V) (3090)

[RE523501](#) (12V, 4.2 KW) (3073)

[RE523502](#) (12 V) (3084)

[RE556973](#) (12 V, 4.2 KW) (30BG)

[RE556974](#) (24 V) (30BH)



ALTERNATOR

[RE558675](#) (24 V, 60 A) (3161)

[DZ123153](#) (12 V, 90 A) (3164)



SHORT BLOCK ASSEMBLY

[DZ109866](#) (MARKED R530904)

Also order: crank damper, engine gasket kit, dipstick tube, oil pump, cylinder head bolt kit, crank wheel, (1) DZ109926 bushing, (1) DZ109927 valve, (1) DZ106855 spring, (1) DZ109925 fitting plug, (1) R121043 valve, (1) R111137 spring, and parts from the short block hardware kit as needed piston marked RE544601



FAN PULLEY

[R128662](#) (OD=203 mm) (8668)

[R128660](#) (OD=168 mm) (8667)



CRANKSHAFT W/ DAMPER

[RE505939](#) (OD = 188 mm) (1321)

[RE505941](#) (OD = 188 mm) (1322)

[R545125](#) (OD = 188 mm) (1334)



DAMPER

[DZ119883](#) (OD = 350 mm) (6813)



FAN BELT

[DZ118556](#) (LGTH = 1660 mm) (24JG)

[DZ118560](#) (LGTH = 1720 mm) (24JM)

[DZ121131](#) (LGTH = 1990 mm) (24JS)

[DZ118557](#) (LGTH = 1670 mm) (24JJ)

[DZ118558](#) (LGTH = 1680 mm) (24JU)

[DZ118559](#) (LGTH = 1700 mm) (24JK)

[T282795](#) (LGTH=1690 mm) (24JH)

[DZ121129](#) (LGTH = 1745 mm) (24JN) (24JV)



JOHN DEERE

Genuine Parts and Service



REMAN PARTS GUIDE

6068HFG55 PowerTech 2.9L OEM Engine

COMPLETE BLOCK ASSEMBLY

[SE502640](#)

With option code 4848 may not be as illustrated includes cylinder head with valves and rocker arm assembly, includes oil pump assembly, complete gasket kit with front and rear seals (9901)



INJECTION NOZZLE

[SE501934](#) (REMAN FOR [DZ100218](#) OR [RE546780](#)) (16CB)



FUEL INJECTION PUMP

[SE502553](#) (REMAN FOR [RE543262](#)) (16CB)

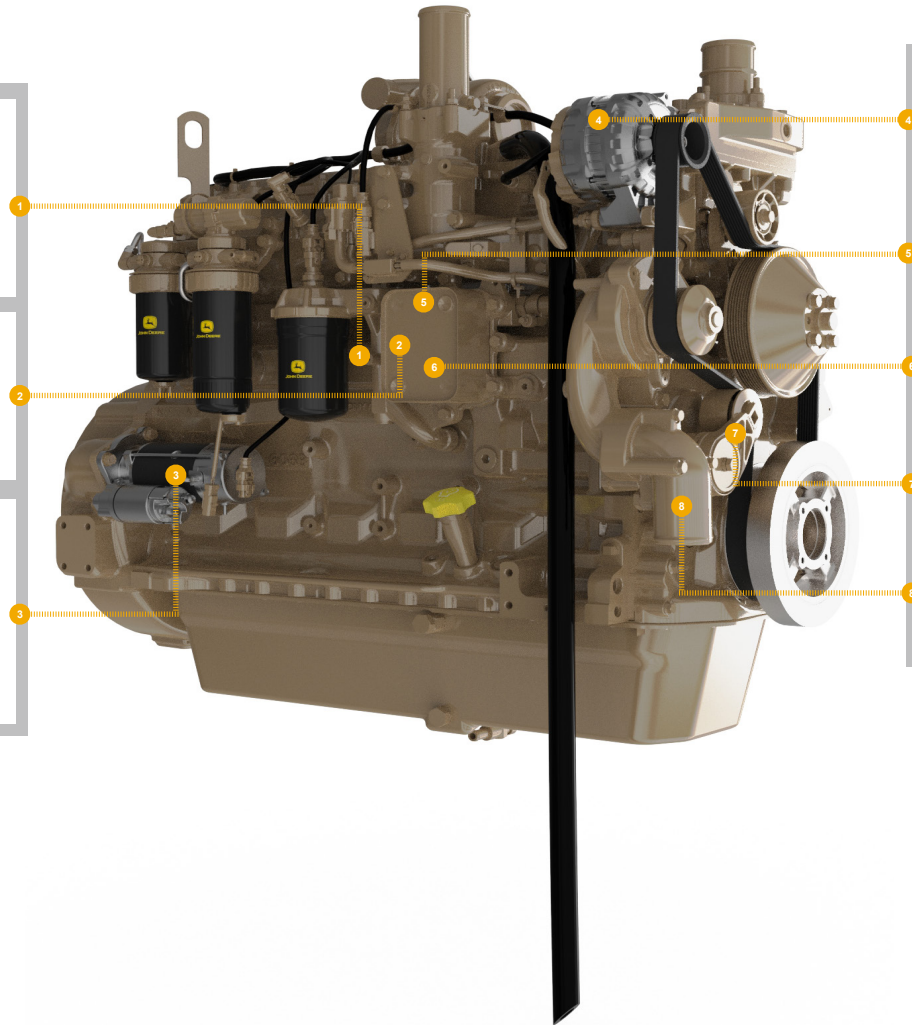


STARTER

[SE502733](#) (REMAN FOR [RE564633](#)) (ISKRA, 24 V, 4 KW) (3090)

[SE502631](#) (REMAN FOR [RE523501](#)) (ISKRA, 12 V, 4.2 KW) (3073)

[SE502632](#) (REMAN FOR [RE523502](#)) (ISKRA, 12 V, 4 KW) (3084)



ALTERNATOR

[SE502560](#) (REMAN FOR [RE537507](#)) (12 V, 90 A) (3164)



CYLINDER HEAD

[SE502648](#) (REMAN FOR [RE576025](#) OR [RE545710](#)) (5137)



CONNECTING ROD

[SE501094](#) (REMAN FOR [RE500608](#)) (4876) (4848)



WATER PUMP

[SE502637](#) (REMAN FOR [RE539093](#)) (3052)



OIL PUMP

[SE502630](#) (REMAN FOR [RE538993](#)) (5027)



JOHN DEERE
Genuine Parts and Service