



REPLACEMENT PART GUIDE

5030HF270 PowerTech 3.0L OEM Engine



STARTER

[RE540304](#) (12V, 2.2KW) (3002)

[RE540305](#) (24V, 3.0KW) (3003)

[RE540303](#) (12V, 2.6KW) (3007) INCLUDING SAFETY SIGN, LABEL, COVER, SOLENOID



FUEL FILTER

[RE508202](#) (3503, 3506, 3508)

500 hrs of operation or every 12 months.



OIL FILTER

[RE519626](#) (8801)

500 hrs of operation or every 12 months.



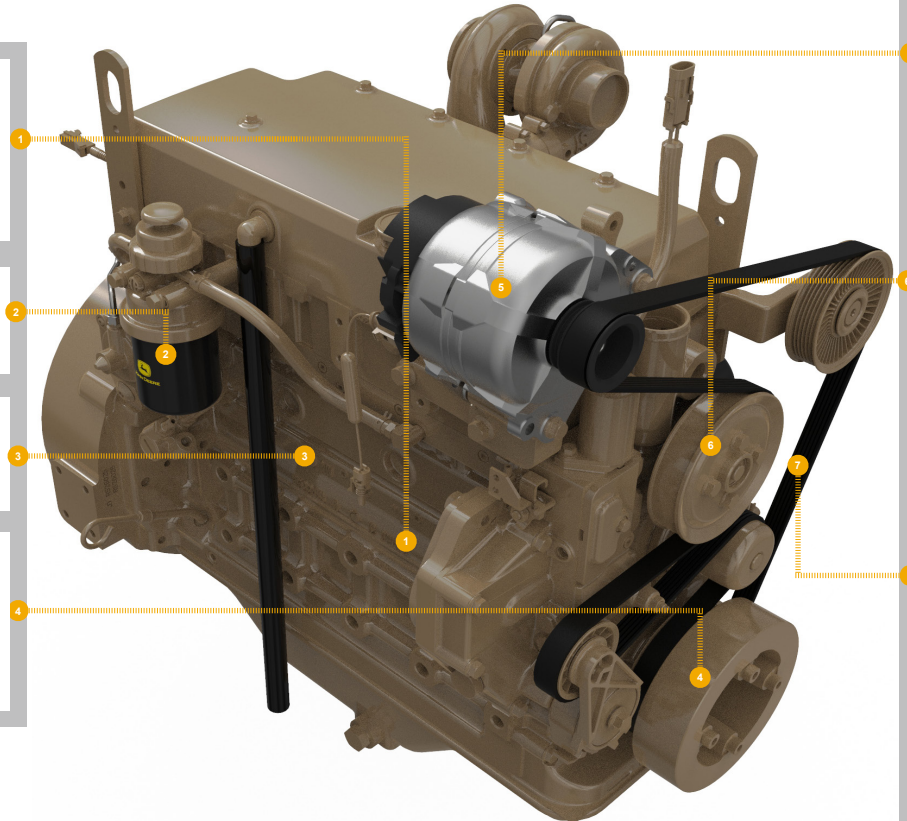
CRANKSHAFT PULLEY DAMPER

[RE520244](#) (OD = 140 mm) (1302)

[RE523315](#) (OD = 160 mm) (1303)

DAMPER

[RE516488](#) (OD = 186 mm) (6801)



ALTERNATOR

[RE529377](#) (12V, 70A) (3102)

[AH165975](#) (12V, 120A) (3103)

[RE522401](#) (24V, 50A) (3104)

[RE509080](#) (12V, 65A) (3105)



FAN PULLEY

[R505808](#) (OD = 140 mm) (8601)

[R516401](#) (OD = 127 mm) (8602)

[R516400](#) (OD = 160 mm) (8603)

[R520415](#) (OD = 140 mm) (8604)

[R520414](#) (OD = 160 mm) (8605)

[R520462](#) (OD = 127 mm) (8606)



FAN BELT

[DZ118741](#) (LGTH = 2340 mm) (2402, 2418, 2404)

[R523054](#) (LGTH = 2530 mm) (2425)

[DZ118732](#) (LGTH = 2270 mm) (2401, 2409, 2423)

[DZ118729](#) (LGTH = 2300 mm) (2403, 2411,)

[DZ119646](#) (LGTH = 2415 mm) (2405, 2427)

[DZ118737](#) (LGTH = 2465 mm) (2406)

[DZ118735](#) (LGTH = 2435 mm) (2413, 2428)

[DZ118739](#) (LGTH = 2530 mm) (2415)

[R519408](#) (LGTH = 2500 mm) (2416)

[DZ118736](#) (LGTH = 2480 mm) (2417)

[R523007](#) (LGTH = 2370 mm) (2419, 2420, 2422)

[R522751](#) (LGTH = 2395 mm) (2421, 2424)

[DZ118743](#) (LGTH = 2415 mm) (2426)



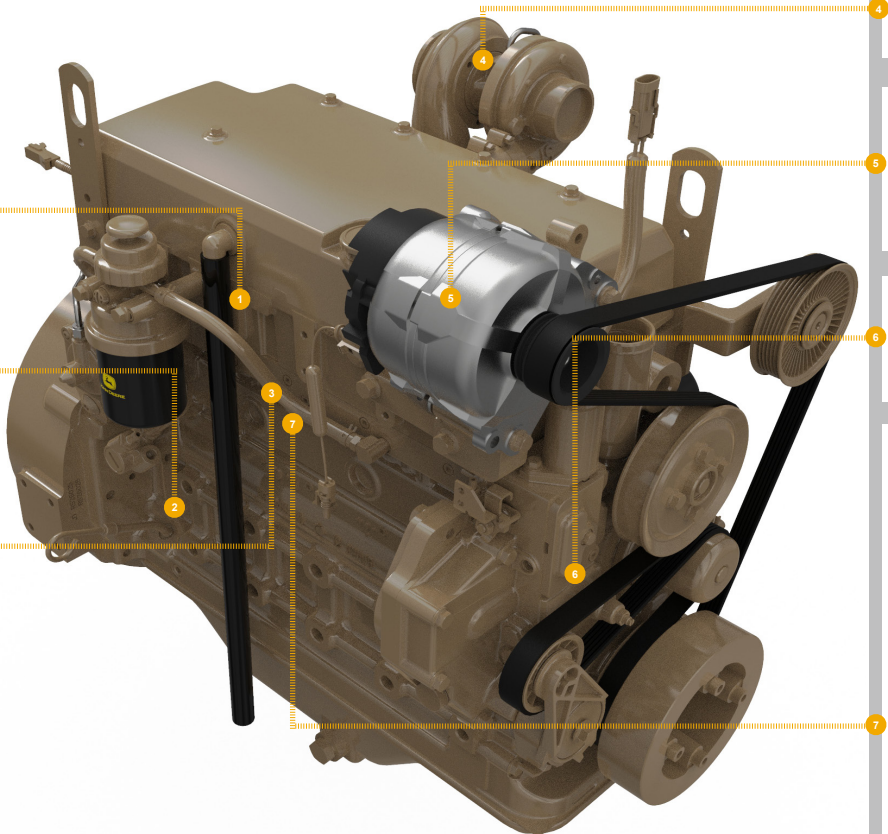
JOHN DEERE

Genuine Parts and Service



REMAN PARTS GUIDE

5030HF270 PowerTech 3.0L OEM Engine



CONNECTING ROD
[SE501898](#) (REMAN FOR [RE544411](#))
 (4801, 4805, 4808)

STARTER
[RM100157](#) (REMAN FOR [RE540304](#))
 (12V, 2.2KW) (3002)
[RM100034](#) (REMAN FOR [RE540303](#))
 (24V, 3.0KW) (3003)

CYLINDER HEAD
[SE501607](#) (REMAN FOR [DZ117412](#)) (5102)

TURBOCHARGER
[SE502193](#) (REMAN FOR [RE518234](#)) (6508)

ALTERNATOR
[SE501343](#) (REMAN FOR [AH165975](#))
 (12V, 120A) (3103)
[SE501831](#) (REMAN FOR [RE529377](#))
 (12V, 70A) (3102)

WATER PUMP
[SE502114](#) (REMAN FOR [RE545573](#)) (S250)
 (2001)

COMPLETE BLOCK ASSEMBLY
[SE501604](#) (WITH OPTION CODE 4808
 MAY NOT BE AS ILLUSTRATED,
 INCLUDES CYLINDER HEAD
 WITH VALVES AND ROCKER
 ARM ASSEMBLY, COMPLETE
 GASKET KIT WITH FRONT AND
 REAR SEALS)
[RM10027](#) (WITH OPTION CODE 4801 MAY
 NOT BE AS ILLUSTRATED,
 INCLUDES CYLINDER HEAD
 WITH VALVES AND ROCKER
 ARM ASSEMBLY, COMPLETE
 GASKET KIT WITH FRONT AND
 REAR SEALS)
[RM10026](#) (WITH OPTION CODE 4805 MAY
 NOT BE AS ILLUSTRATED,
 INCLUDES CYLINDER HEAD
 WITH VALVES AND ROCKER
 ARM ASSEMBLY, COMPLETE
 GASKET KIT WITH FRONT AND
 REAR SEALS)
[SE501603](#) (REMAN FOR [RE543445](#))