

# REPLACEMENT PART GUIDE

## PowerTech 4.5L 4045TF290 Engine (Worldwide Edition)



### FUEL FILTER

[RE522868](#) (35EU) (35EV) (35J8)  
[RE541922](#) (8189) (8190) (81A7) (81G1)

500 hrs of operation or every 12 months.



### OIL FILTER

[RE504836](#) (8842) (8843) (8844) (8845) (8847,  
 (8848) (8849) (8854) (88A3)

500 hrs of operation or every 12 months.



### ALTERNATOR

[RE537146](#) (24V, 50A) (3104)  
[RE533653](#) (12V, 95A) (3107)  
[RE533654](#) (12V, 120A) (3108)  
[RE533516](#) (12V, 75A) (3109)



### FAN PULLEY

[R128658](#) (OD = 140MM) (8601) (8604) (8607)  
 (8610) (8629)  
[R128660](#) (OD= 168MM) (8602) (8605) (8608)  
 (8611) (8628) (8632)  
[R128662](#) (OD = 203MM) (8606)  
[R128659](#) (OD = 154MM, 159MM) (8649) (8652)  
 (8654) (8657) (8661)  
[R113480](#) (8699)



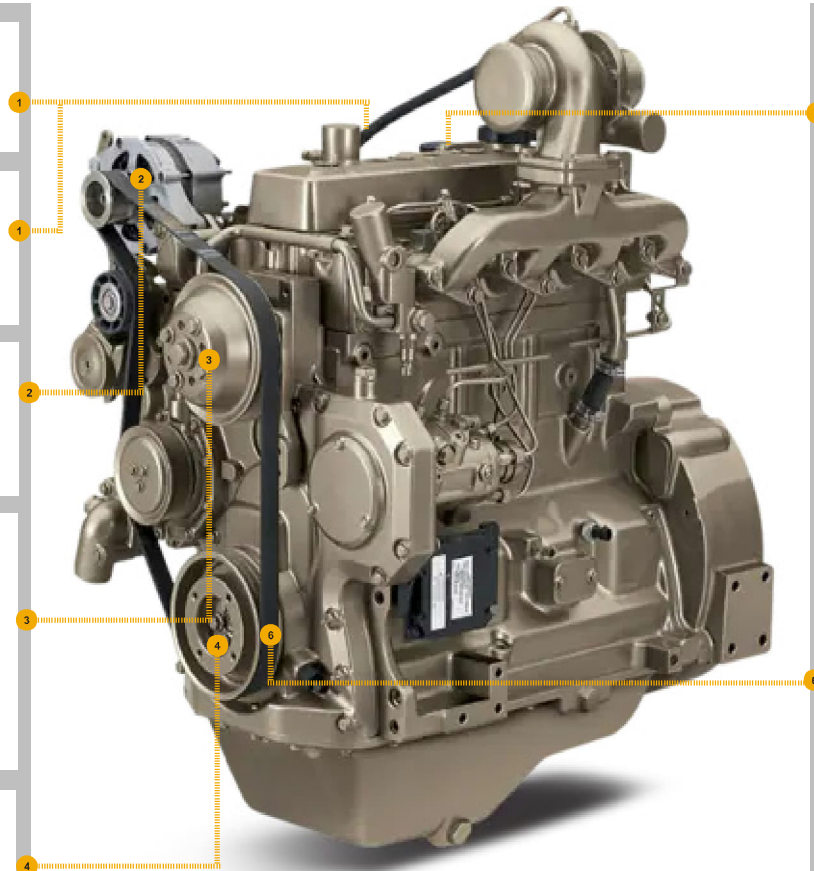
### CRANKSHAFT PULLEY & DAMPER

[R505567](#) OD = 173MM (1328)  
[R545126](#) OD = 173MM (1333)



### SHORT BLOCK ASSEMBLY

[DZ109713](#) MARKED R534172



### STARTER

[RE70961](#) (24V)(3001)  
[RE540301](#) (12V, 2.5KW) (3005)  
[RE540300](#) (3007)  
[RE70957](#) (12V, 2.5KW) (3006)  
[RE70960](#) (12V, 4.8KW) (3010)  
[RE540302](#) (12V, 2.5KW) (3012)  
[RE501150](#) (24V) (3041)  
[RE506105](#) (12V) (3056)  
[RE506103](#) (24V, 7.8KW) (3057)  
[RE523501](#) (12V) (3073)  
[DZ110081](#) (12V) (3075)  
[RE516157](#) (12V, 3.2KW) (3082)  
[DZ110082](#) (24V) (3092)



### FAN BELT

[DZ119060](#) (LGTH = 1555MM) (2404)  
[DZ115455](#) (LGTH = 1550MM) (2407)  
[DZ117268](#) (LGTH = 1530MM) (2406)  
[DZ119477](#) (LGTH = 1565MM) (2423) (24HD)  
[DZ119478](#) (LGTH = 1570MM) (2420)  
[DZ119515](#) (LGTH = 1585MM) (2410) (2443)  
[DZ119520](#) (LGTH = 1605MM) (2437)  
[DZ119521](#) (LGTH = 1610MM) (2469)  
[DZ119522](#) (LGTH = 1630MM) (2419)  
[DZ119715](#) (LGTH = 1625MM) (240G)  
[T428724](#) (LGTH = 1575MM) (24HE)  
[T428820](#) (LGTH = 1580MM) (2421)  
[T428822](#) (LGTH = 1615MM) (2431)  
[T428823](#) (LGTH = 1635MM) (2430)  
[DZ119061](#) (LGTH = 1540MM) (2414)  
[T428818](#) (LGTH = 1590MM) (24CQ)  
[DZ119003](#) (LGTH = 2165MM) (24HN)  
[R525434](#) (LGTH = 2180MM) (24HP)  
[R525435](#) (LGTH = 2190MM) (24HQ)



**JOHN DEERE**  
 Genuine Parts and Service



# REMAN PARTS GUIDE

## PowerTech 4.5L 4045TF290 Engine (Worldwide Edition)



**CYLINDER HEAD**  
[SE501806](#) (REMAN FOR [RE531088](#)) (5127)



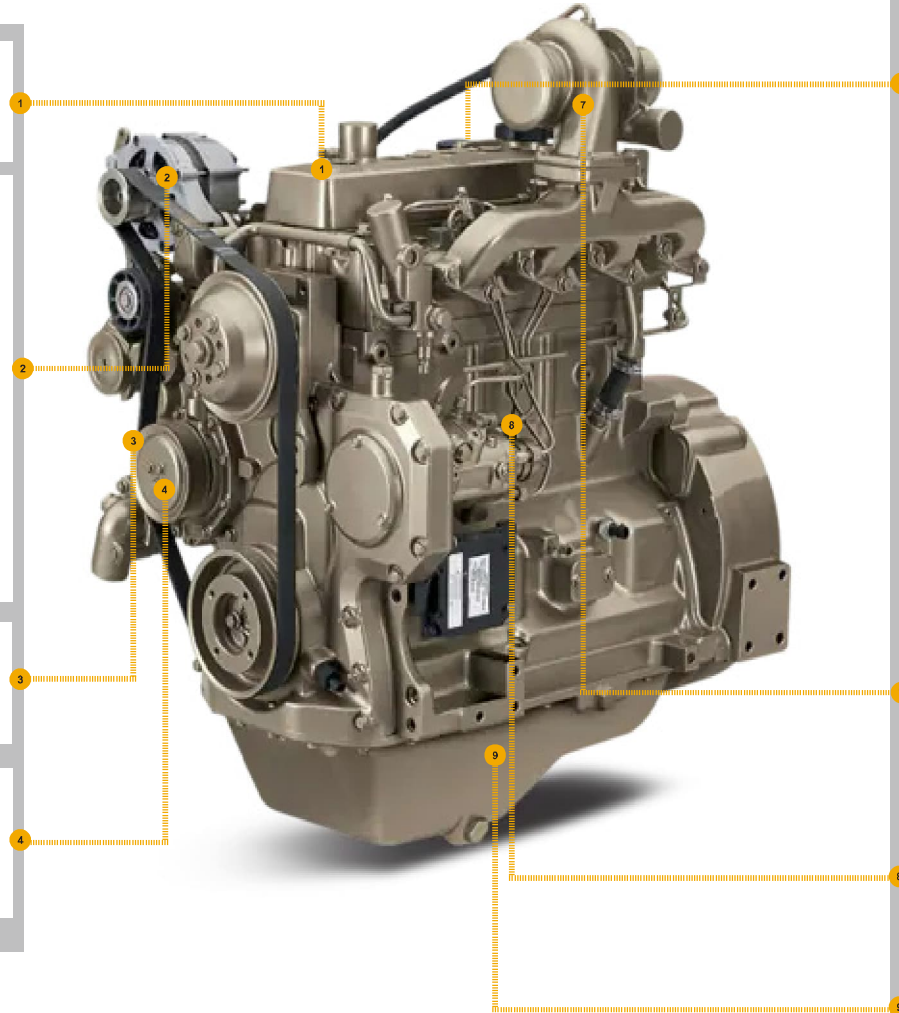
**ALTERNATOR**  
[SE501341](#) (REMAN FOR [DZ114957](#), [AT161324](#), [TY24322](#)) (24V, 45A) (3104)  
[SE501342](#) (REMAN FOR [AH137883](#), [AT220394](#), [TY24485](#)) (12V, 95A) (3107)  
[SE501343](#) (REMAN FOR [AH165975](#)) (12V, 120A) (3108 )  
[SE501387](#) (REMAN FOR [AT173624](#), [DZ114956](#), [AT220393](#), [TY6799](#)) (12V, 65A) (3109)  
[SE502626](#) (REMAN FOR [RE533516](#)) (12V, 75A) (3109)  
[SE502628](#) (REMAN FOR [RE533654](#)) (12V, 120A) (3108)  
[SE502627](#) (REMAN FOR [RE533653](#)) (12V, 95A) (3107)



**WATER PUMP**  
[SE501610](#) (REMAN FOR [RE505981](#)) (4429) (4428)



**A/C COMPRESSOR**  
[SE503065](#) (REMAN FOR [AH169875](#)) (7427)  
[SE503064](#) (REMAN FOR [AT172975](#)) (7411)



**STARTER**  
[SE501401](#) (REMAN FOR [RE540301](#)) (12V, 2.5KW) (3005)  
[SE501402](#) (REMAN FOR [RE540300](#)) (3007)  
[SE501405](#) (REMAN FOR [RE70474](#)) (12V) (3010)  
[SE501406](#) (REMAN FOR [RE501150](#)) (24V) (3041)  
[SE501426](#) (REMAN FOR [RE540302](#)) (12V, 2.5KW) (3012)  
[SE501851](#) (REMAN FOR [DZ110081](#) OR [RE507670](#)) (12V) (3075)  
[SE501852](#) (REMAN FOR [RE505746](#) OR [RE516157](#)) (12V, 2.8KW) (12V, 3.2KW) (3082)  
[SE501869](#) (REMAN FOR [RE519568](#))  
[SE502286](#) (REMAN FOR [DZ110082](#)) (24V, 4KW)  
[SE501866](#) (REMAN FOR [RE506103](#)) (24V) (3057)  
[SE501853](#) (REMAN FOR [RE506105](#)) (12V) (3056)  
[SE502631](#) (REMAN FOR [RE523501](#)) (12V, 4.2KW) (3073)



**TURBOCHARGER**  
[SE502445](#) (REMAN FOR [RE548734](#)) (65SJ) (65SN) (65SQ) (65SL)



**CONNECTING ROD**  
[SE501096](#) (REMAN FOR [RE500002](#)) (4843)



**OIL PUMP**  
[SE501814](#) (REMAN FOR [DZ100057](#)) (5001)