



# REPLACEMENT PART GUIDE

## 4045HFJ85 PowerTech 4.5L Engine



### PRIMARY FUEL FILTER

[RE535280](#) (8196)

500 hrs of operation or every 12 months.



### FINAL FUEL FILTER

[RE522878](#) (35EJ)

500 hrs of operation or every 12 months.



### OIL FILTER

[RE504836](#) (8843)

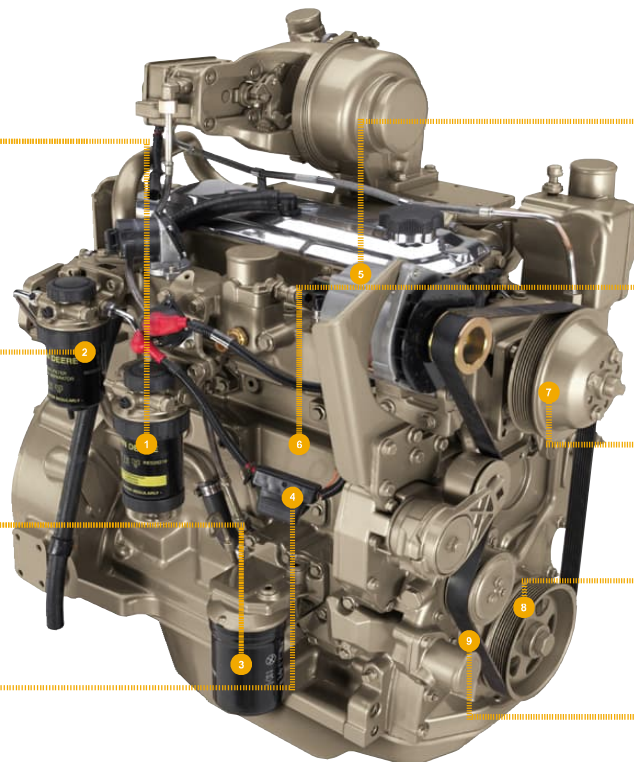
500 hrs of operation or every 12 months.



### SHORT BLOCK ASSEMBLY

[RE536966](#)

Also Order RE536968



### ALTERNATOR

[AT387574](#) (24V, 100A) (3152)



### STARTER

[RE70961](#) (12V) (3001)

Includes safety sign, start motor with solenoid, cover and jumper.



### FAN PULLEY

[R128660](#) (OD = 8611 mm) (8611)



### CRANKSHAFT PULLEY

[R505567](#) (OD = 173 mm) (1328)



### FAN BELT

[T428869](#) (LGTH = 2310 mm) (24GA)



**JOHN DEERE**  
Genuine Parts and Service



# REMAN PARTS GUIDE

## 4045HFJ85 PowerTech 4.5L Engine



### CYLINDER HEAD

[SE501807](#) (REMAN FOR [RE553422](#)) (5121)



### CONNECTING ROD

[SE501094](#) (REMAN FOR [RE500608](#))  
(S350PT) (4835)



### CONTROLLER

[SE502801](#) (REMAN FOR [RE520953](#))  
(-091327) (16P2)

[SE502800](#) (REMAN FOR [RE531808](#))  
(091328-) (16P2)



### AC COMPRESSOR

[SE503064](#) (REMAN FOR [AT172975](#))  
(24V, 10PA) (7424)



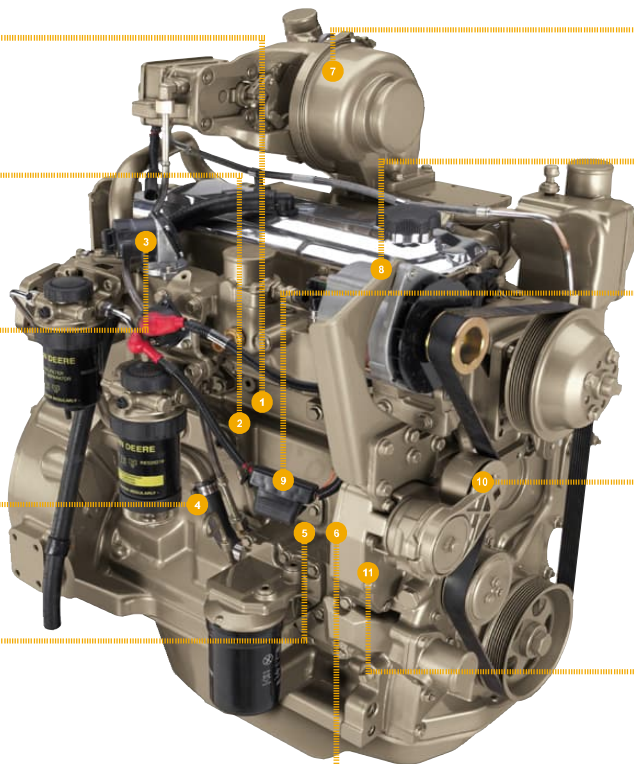
### FUEL INJECTION PUMP

[SE501915](#) (REMAN FOR [RE507959](#)) (16P2)



### FUEL INJECTION NOZZLE

[SE501926](#) (REMAN FOR [DZ100217](#)) (16P2)



### TURBOCHARGER

[RM100146](#) (REMAN FOR [DZ108168](#))  
(65TW)



### ALTERNATOR

[SE501838](#) (REMAN FOR [AT387574](#))  
(24V, 100A) (3152)



### STARTER

[SE501407](#) (REMAN FOR [RE70961](#)) (24V)  
(3001)



### WATER PUMP

[SE501227](#) (REMAN FOR [RE546918](#))  
(S350PT) (4445)

[SE502816](#) (REMAN FOR [RE546918](#))  
(S350 IT4) (4445)



### OIL PUMP

[SE501814](#) (REMAN FOR [DZ100057](#)) (5001)



**JOHN DEERE**  
Genuine Parts and Service