

# REPLACEMENT PART GUIDE

## PowerTech PWS 4.5L 4045HFG06 Genset OEM FT4 Engine



### DEF TANK INLET SCREEN

[DZ114695](#) (3411) (3412) (3413) (3414) (3415) (3417) (3418) (3429) (3430) (3431) (3432) (3433) (3434) (3435) (3436) (3447) (3448) (3449)(3450) (3451) (3452) (3453) (3454)  
As Required.



### DIESEL EXHAUST FLUID INLINE FILTER

[DZ118548](#) (3343) (3344) (3345) (3346) (3347) (3368)  
8000 Hours of Operation or Every 36 months.



### FUEL FILTERS

#### PRIMARY

[DZ128543](#) (35HR) (35HS) (35HT) (35HU) (35HV)  
500 hrs of operation or every 12 months.



### FUEL FILTERS

#### SECONDARY

[DZ115390](#) (35HR) (35HS) (35HT) (35HU) (35HV)  
500 hrs of operation or every 12 months.



### OIL FILTER

[RE504836](#) (8842) (8843) (88A7)  
500 hrs of operation or every 12 months.



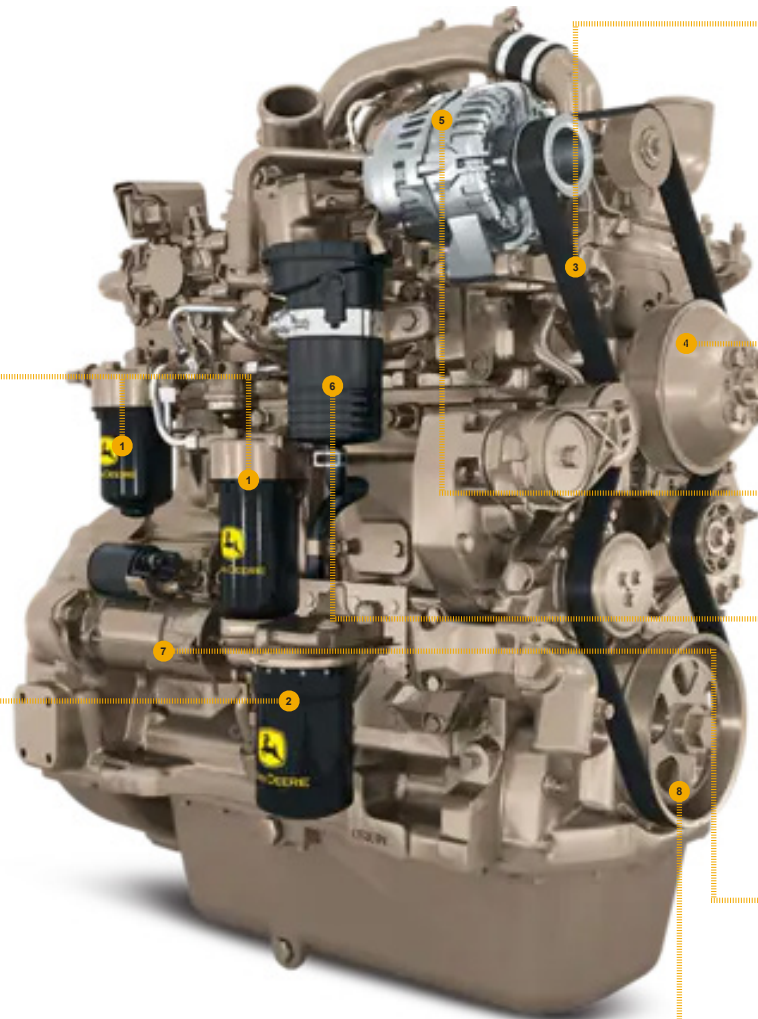
### TANK HEADER SUCTION SCREEN

[DZ111166](#) (3401) (3402) (3403) (3404) (3405) (3406) (3407) (3408) (3409) (3410) (3411) (3412) (3413) (3414) (3415) (3416) (3417) (3418) (974C) (USE WITH [DZ113373](#) 974J) (USE WITH [DZ113377](#) 974G) [DZ111004](#) (3419) (3420) (3421) (3422) (3423) (3425) (3426) (3427) (3428) (3429) (3430) (3431) (3432) (3433) (3434) (3435) (3436) [DZ110562](#) (USE WITH [DZ113378](#) 974G) (USE WITH [DZ110563](#) 974J)  
1500 hrs of operation or every 36 months.



### DOSING UNIT PUMP FILTER

[DZ114640](#) (3329) (3330) (3331) (3332) (3343) (3345) (3346) (3347) (3348) (3368)  
4500hrs of operation or every 36 months.



### FAN BELT

[DZ118559](#) (LGTH = 1700 MM) (249B)  
[DZ118558](#) (LGTH = 1680 MM) (24KQ)  
[DZ118648](#) (LGTH = 1810 MM) (24KR) (24KR)  
[DZ118560](#) (LGTH = 1820 MM) (24KS)  
[DZ118650](#) (LGTH = 1820 MM) (24LA) (24LE)  
[DZ118265](#) (LGTH = 1805 MM) (24LB) (24LL)  
[DZ118649](#) (LGTH = 1815 MM) (24LC)  
[DZ118562](#) (LGTH = 1775 MM) (24LF)  
[DZ118563](#) (LGTH = 1785 MM) (24LG)  
[DZ118606](#) (LGTH = 1798 MM) (24LH)  
[R533596](#) (LGTH = 1780 MM) (24LJ)  
[DZ118564](#) (LGTH = 1790 MM) (24LL) (24LK)



### FAN PULLEY

[R128660](#) (OD=168 MM) (8667)  
[R128662](#) (OD=203 MM) (8668)  
[R128659](#) (OD=154 MM) (8671)  
[R128661](#) (OD=184 MM) (8672)



### ALTERNATOR

[DZ123153](#) (12V, 90A) (31AP)  
[RE558675](#) (24V, 60A) (31AS)



### CRANKCASE VENT FILTER

[DZ105796](#) (2989) (29CV)  
1500 hrs of operation.



### STARTER

[RE523501](#) (12V) (3073)  
[DZ110081](#) (12V, 3.4KW) (3075)  
[RE523502](#) (12V) (3084)  
[DZ110082](#) (24V) (3092)  
[DZ110083](#) (24V, 4KW) (3096)  
[RE549229](#) (12V) (30AT)  
[RE549230](#) (24V) (30AU)  
[RE551645](#) (12V) (30AX)  
[RE551644](#) (24V DENSO) (30AY)  
[RE546860](#) (24V) (30BQ)  
[RE546861](#) (12V) (30BR)  
[RE546862](#) (12V) (30BS)  
[RE551637](#) (12V DENSO) (30BX)  
[RE551636](#) (12V) (30BY)



### CRANKSHAFT PULLEY & DAMPER

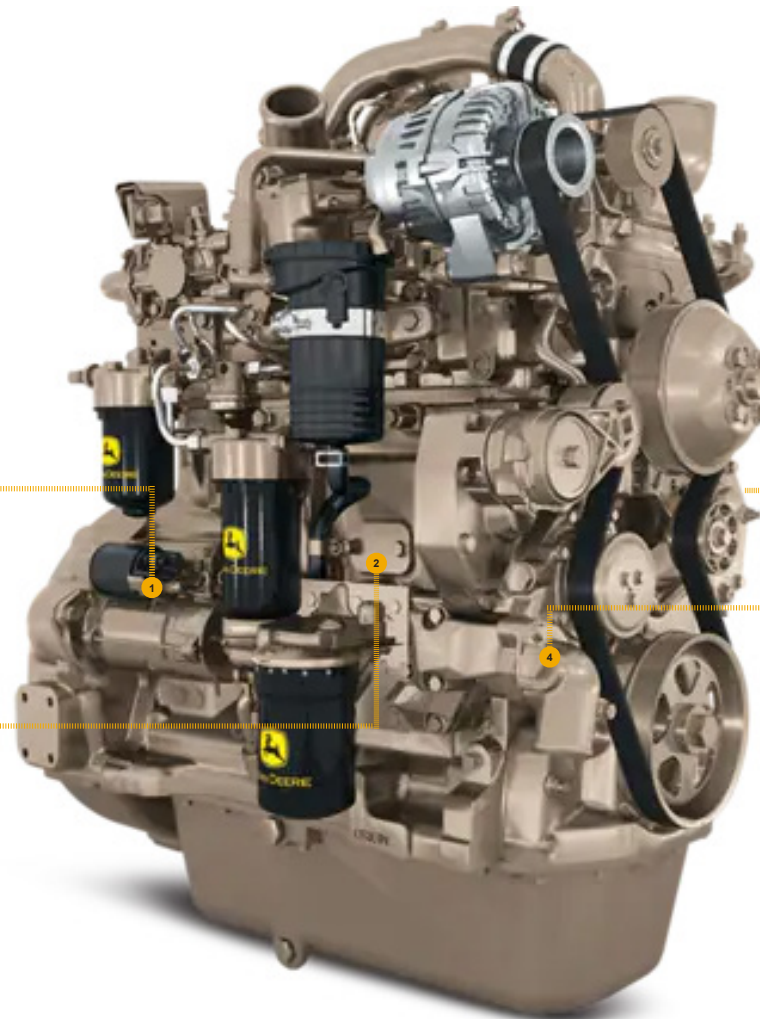
[R503880](#) (OD=193 mm) (1327)  
[R545125](#) (OD = 193 mm) (1334)





# REMAN PARTS GUIDE

## PowerTech PWS 4.5L 4045HFG06 Genset OEM FT4 Engine



### STARTER

[SE501851](#) (REMAN FOR [DZ110081](#) OR

[RE507670](#)) (12V, 3.4KW) (3075)

[SE502286](#) (REMAN FOR [DZ110082](#))

(24V, 4KW) (3092)

[SE502631](#) (REMAN FOR [RE523501](#)) (3073)

[SE502632](#) (REMAN FOR [RE523502](#)) (12V)

(3084)

[SE502558](#) (REMAN FOR [RE549229](#)) (12V)

(30AT)

[SE502823](#) (REMAN FOR [RE549230](#)) (24V)

(30AU)

[SE502736](#) (REMAN FOR [RE551644](#))

(24V, 7.8KW) (30AY)



### CONNECTING ROD

[SE501094](#) (REMAN FOR [RE500608](#)) (4868)



### FUEL INJECTION PUMP

[SE502769](#) (REMAN FOR [RE543423](#)) (16JU)



### WATER PUMP

[SE501227](#) (REMAN FOR [RE546918](#)) (4445)

[SE502816](#) (REMAN FOR [RE546918](#)) (4445)



### SHORT BLOCK ASSEMBLY

[DZ110078](#) MARKED R533833

