



# REPLACEMENT PART GUIDE

## PowerTech 4.5L 4045TF151 Engine (Worldwide Edition)



### FUEL FILTERS

[RE60021](#) (3516)

500 hrs of operation or every 12 months.



### STARTER MOTOR

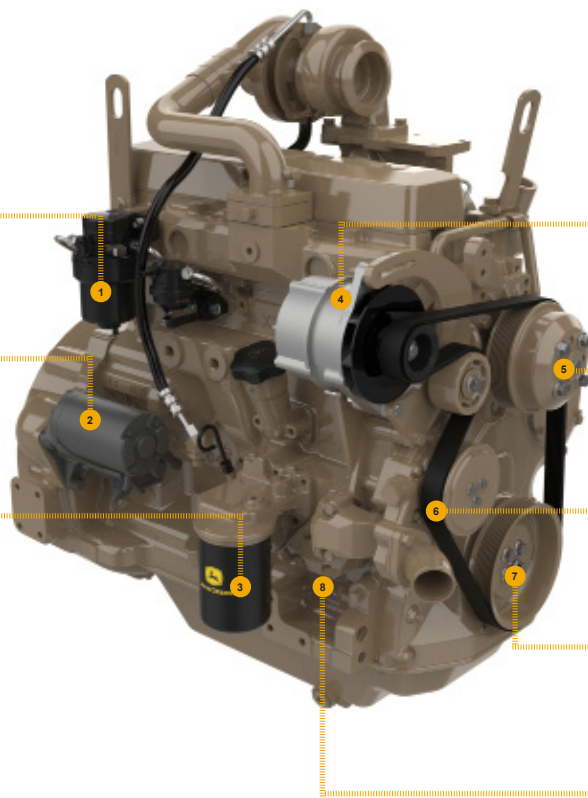
[RE527363](#) (24V, 4.5 KW) (3044)



### OIL FILTER

[RE59754](#) (8803)

500 hrs of operation or every 12 months.



### ALTERNATOR

[RE537146](#) (24V, 45 AMP) (3110)



### FAN PULLEY

[R128658](#) (OD = 140 mm) (8604)



### FAN BELT

[R501007](#) (LGTH = 1490 mm) (2485)



### CRANKSHAFT PULLEY & DAMPER

[R133296](#) (OD = 193 mm) (1301) (1303)

[R133295](#) (OD = 173 mm) (1302) (1304)




### SHORT BLOCK ASSEMBLY


[DZ111018](#)


# REMAN PARTS GUIDE

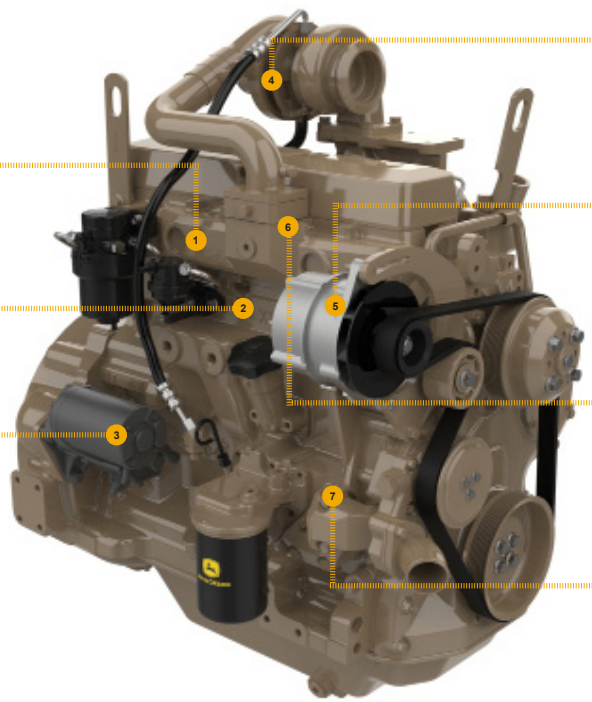
## PowerTech 4.5L 4045TF151 Engine (Worldwide Edition)





 **CYLINDER HEAD**  
[SE501579](#) (REMAN FOR [RE57234](#)) (5102)


 **CONNECTING ROD**  
[SE501096](#) (REMAN FOR [RE500002](#))  
(4823) (4803) (4801)


 **STARTER**  
[SE502286](#) (REMAN FOR [DZ110082](#))  
(24V, 4KW) (3092)  
[SE501401](#) (REMAN FOR [RE540301](#)) (30AM)  
[SE501426](#) (REMAN FOR [RE540302](#)) (30AM)



 **TURBOCHARGER**  
[SE502378](#) (REMAN FOR [RE508973](#))  
(65CT)

 **ALTERNATOR**  
[SE501387](#) (REMAN FOR [AT173624](#),  
[DZ114956](#) OR [AT220393](#))  
(12 V, 65 A) (3122) (3109) (3111)  
[SE502626](#) (REMAN FOR [RE533516](#))  
(12 V, 75 A) (3109)

 **INJECTION NOZZLE**  
[SE501101](#) (REMAN FOR [RE48786](#))  
(1677) (16NT)  
[SE501103](#) (REMAN FOR [RE531436](#))  
(1677) (16NT)

 **FUEL INJECTION PUMP**  
[SE501326](#) (REMAN FOR [RE67563](#))  
(1677) (16NT)