



# REPLACEMENT PART GUIDE

## 4045HMC92 PowerTech PWX 4.5L OEM Engine (IT4)



### FAN BELT

[DZ118652](#) (LGTH = 2005 mm) (24JC)

[DZ119522](#) (LGTH = 1630 mm) (24JD)



### CRANKSHAFT PULLEY

[R503880](#) (OD = 188 mm) (1327)



### SHORT BLOCK ASSEMBLY

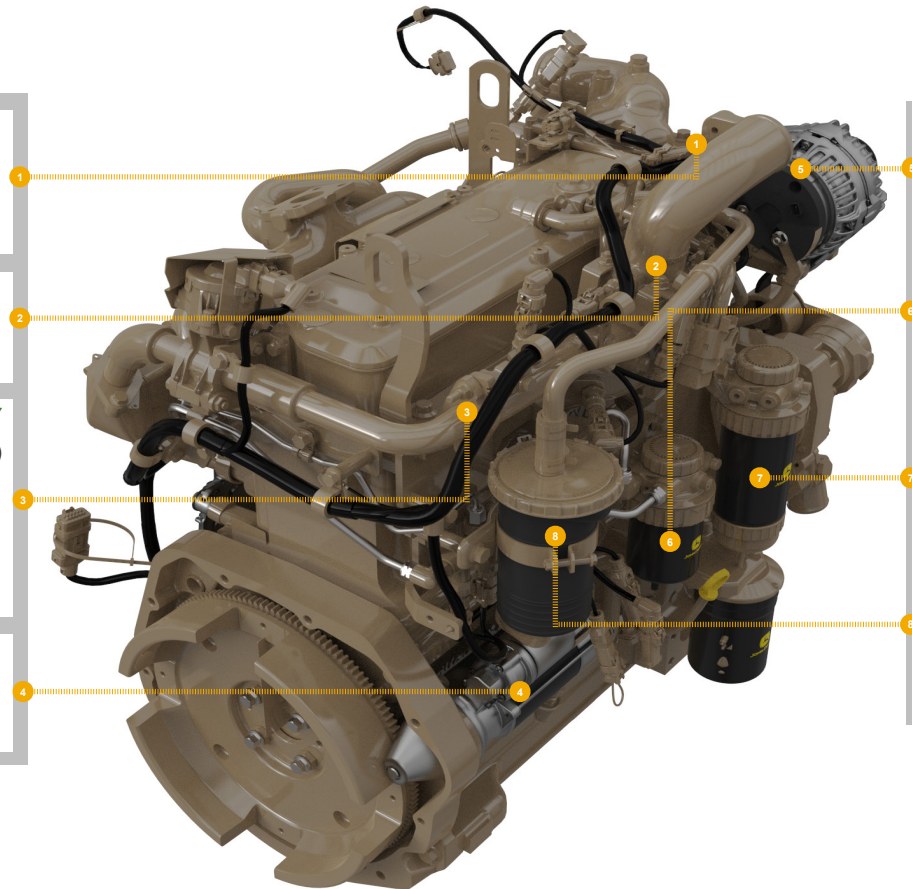
[DZ109718](#) (MARKED R534172)

Also order engine gasket kit, dipstick tube, oil pump, cylinder head bolt kit, crank wheel (if applicable), R121043 valve, R111137 spring, and parts from the short block hardware kit as needed, sub for RE545935.



### STARTER

[DZ110081](#) (ISKRA, 12 V, 3.4 KW) (30BF) (3075)



### ALTERNATOR

[RE537508](#) (BOSCH, 12 V, 120 A) (3173)



### PRIMARY FUEL FILTER

[RE541922](#) (81BM)

### SECONDARY FUEL FILTER

[RE544394](#) (35FV)

500 hrs of operation or every 12 months.



### OIL FILTER

[RE504836](#) (8842)

500 hrs of operation or every 12 months.



### CRANKCASE OCV FILTER

[DZ105796](#) (2919, 2983)

[DZ106088](#) (2983)

1500 Hours of operation.



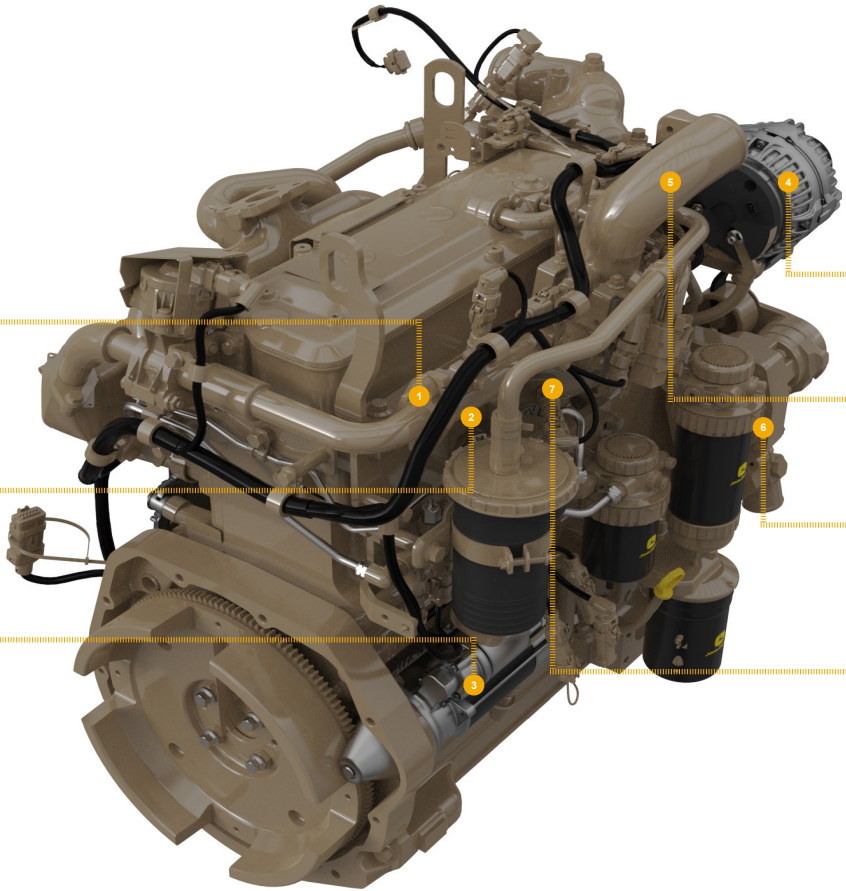
**JOHN DEERE**

Genuine Parts and Service



# REMAN PARTS GUIDE

## 4045HMC92 PowerTech PWX 4.5L OEM Engine (IT4)



### CONNECTING ROD

[SE501094](#) (REMAN FOR [RE500608](#)) (4851)



### INJECTION NOZZLE

[SE502671](#) (REMAN FOR [RE545562](#)) (16BB)

### FUEL INJECTION PUMP

[SE502769](#) (REMAN FOR [RE543423](#)) (16BB)



### STARTER

[SE501851](#) (REMAN FOR [RE549296](#))  
(ISKRA, 12 V, 3.4 KW) (30BF)



### ALTERNATOR

[SE502561](#) (REMAN FOR [RE537508](#))  
(BOSCH, 12 V, 120 A) (3173)



### TURBOCHARGER

[SE502815](#) (REMAN FOR [RE551595](#)) (65E7)



### WATER PUMP

[SE501227](#) (REMAN FOR [RE546918](#) OR  
[RE523169](#)) (4440)  
[SE502816](#) (REMAN FOR [RE546918](#)) (4440)



### ENGINE CONTROLLER

[SE503035](#) (REMAN FOR [RE551416](#)) (16BB)



**JOHN DEERE**  
Genuine Parts and Service