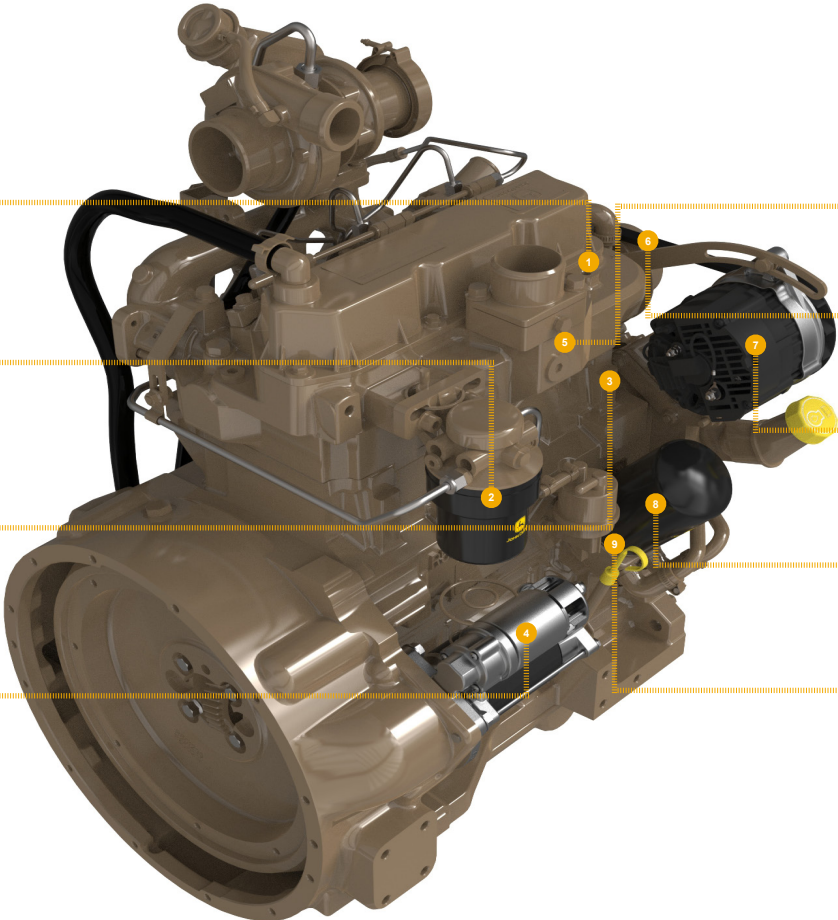




REPLACEMENT PART GUIDE

4045HFS87 PowerTech PVX 4.5L Gen Set OEM Engine (Tier 3)



FAN PULLEY

[R128658](#) (DIA = 140 mm) (8648)



FUEL FILTER

[AT526918](#) (SECONDARY) (35ED)
[RE541922](#) (PRIMARY) (8170)
(35C2) (35H3) - Contact SDMO Dealer
500 hrs of operation or every 12 months.



CRANKSHAFT PULLEY

[R505567](#) (DIA = 168 mm) (1328)



STARTER

[DZ129200](#) (12 V, 2.5 KW) (3005)
[RE546868](#) (ISKRA, 12 V, 3.2 KW) (30BA)
[RE552251](#) (ISKRA, 24 V, 3.5 KW) (30CA)
[RE70961](#) (24 V) (3001)



SHORT BLOCK ASSEMBLY

[RE532716](#) (MARKED [RE557800](#)) (ALSO
ORDER ENGINE OVERHAUL GASKET
KIT AND CYLINDER HEAD BOLT KIT)



FAN BELT

[R503814](#) (LGTH = 1475 mm) (24AX)



ALTERNATOR

[RE533516](#) (ISKRA, 12 V, 75 A) (3138)
[RE537146](#) (ISKRA, 28 V, 50 A) (3142)



CRANCKCASE VENT FILTER

[RE546466](#) (2934) (2984)
1500 Hours of operation.



OIL FILTER

[RE504836](#) (ALSO ORDER [R502513](#)) (8843)
500 hrs of operation or every 12 months.



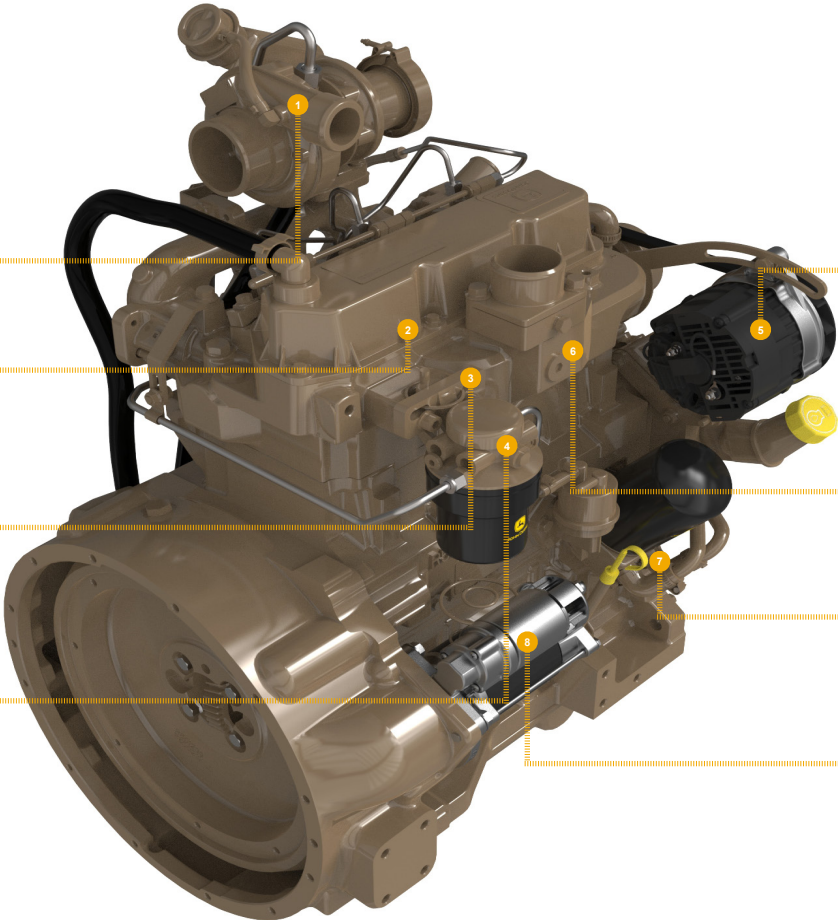
JOHN DEERE

Genuine Parts and Service



REMAN PARTS GUIDE

4045HFS87 PowerTech PVX 4.5L Gen Set OEM Engine (Tier 3)



TURBOCHARGER

[SE502218](#) (REMAN FOR [RE548726](#)) (65ZG)

CONNECTING ROD

[SE501094](#) (REMAN FOR [RE500608](#)) (4847)

FUEL INJECTION PUMP

[SE501915](#) (REMAN FOR [RE507959](#))
(16A5, 162H)

INJECTION NOZZLE

[SE501925](#) (REMAN FOR [DZ100212](#))
(16A5, 9901)

ENGINE CONTROLLER

[SE502802](#) (REMAN FOR [RE526588](#))
(12 / 24 V) (16A5)

ALTERNATOR

[SE501341](#) (REMAN FOR [AT161324](#)) (3142)
(DOES NOT INCLUDE FAN OR
PULLEY) (3142)

[SE502626](#) (REMAN FOR [RE533516](#))
(12 V, 75 A) (FOR OEM AND
NON-OEM APPLICATIONS) (3138)

[SE501387](#) (REMAN FOR [AT173624](#))
(12 V, 65 A) (ONLY FOR
NON-OEM APPLICATIONS) (3138)

CYLINDER HEAD

[SE501809](#) (REMAN FOR [RE532328](#)) (5130)

WATER PUMP

[SE501609](#) (REMAN FOR [RE546906](#)) (4446)

STARTER MOTOR

[SE501407](#) (REMAN FOR [RE70961](#)) (24 V)
(3001)

[SE501401](#) (REMAN FOR [RE59588](#)) (3005)