



# REPLACEMENT PART GUIDE

## 4045HFC92 PowerTech PWX 4.5L Diesel OEM Industrial OEM Engine (IT4)

### ALTERNATOR



- [RE537508](#) (12 V, 120 A) (3173)
- [RE555751](#) (12V, 200A) (3174)
- [RE558675](#) (24 V; 60 A) (3175)
- [RE558676](#) (24V, 100A) (3176)
- [RE558678](#) (24V, 150 A) (3177)

### OCV FILTER



- [DZ105796](#) (2989, 29AB)
- [DZ105100](#) (29EP, 29DS)

1500 hrs of operation

### FUEL FILTER



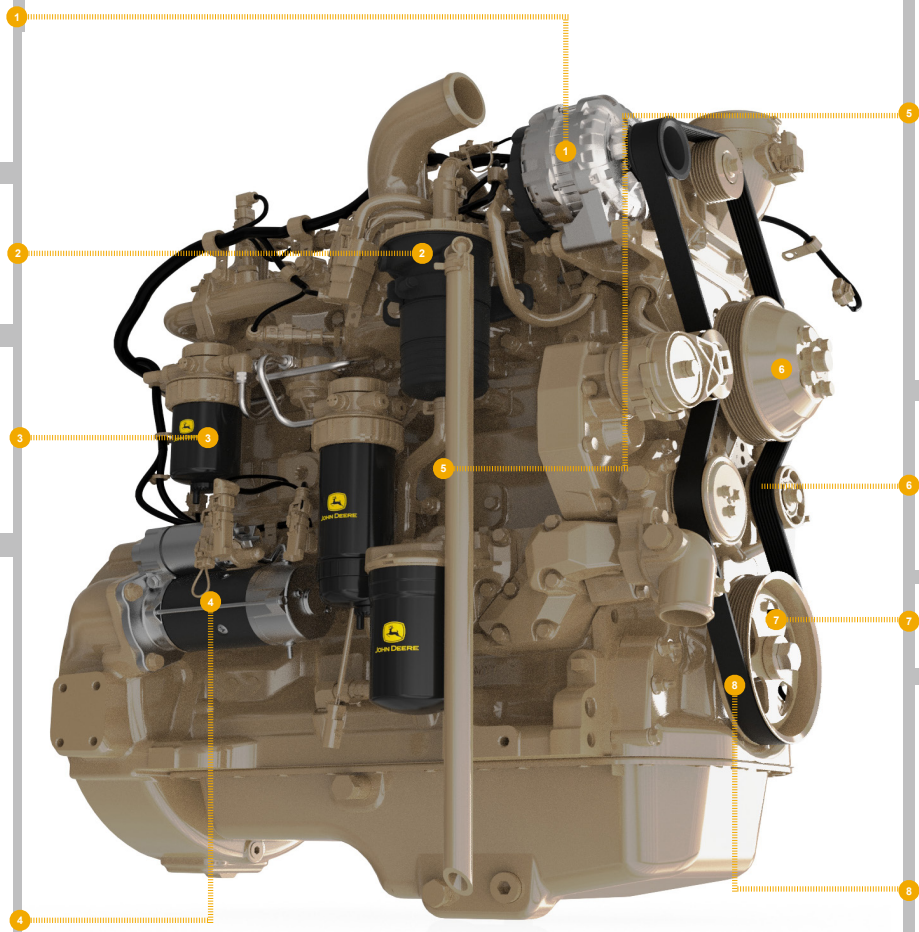
- [RE544394](#) (2 MICRON) (35HA, 35B8, 35FV, 35B5)
- [RE541922](#) (35HD, 81AV, 81BC, 81BM, 35B8)

500 hrs of operation or every 12 months.

### STARTER



- [RE549229](#) (12 V) (30AT)
- [RE70756](#) (30AT)
- [RE549230](#) (24 V) (30AU)
- [RE523502](#) (12 V) (3084)
- [DZ110083](#) (24 V, 4 KW) (3096)
- [RE523501](#) (3073)
- [RE515688](#) (3073)
- [DZ110081](#) (12 V) (3075)
- [RE515429](#) (3075)
- [RE507670](#) (3075)
- [DZ110082](#) (24 V) (3092)
- [RE551645](#) (12V) (30AX)
- [RE551644](#) (24 V) (30AY)
- [RE546860](#) (12 V) (30BQ)
- [RE546861](#) (30BR )
- [RE546862](#) (12 V) (30BS)
- [RE546868](#) (30BA)
- [RE551637](#) (12 V) (30BX)
- [RE551636](#) (12 V) (30BY)



### SHORT BLOCK ASSEMBLY

#### [DZ109718](#)

Also order engine gasket kit, dipstick tube, oil pump, cylinder head bolt kit, crank wheel (if applicable), R121043 valve, R111137 spring, and parts from the short block hardware kit as needed; sub for RE545935



#### [DZ109715](#)

4045, IT4/FT4 Components On Separate Page(s) MARKED RE570485

#### [DZ109716](#)

4045, IT4/FT4 Components On Separate Page(s) MARKED RE556803

#### [DZ109722](#)

4045, IT4/FT4 Components On Separate Page(s) MARKED RE527039

### FAN PULLY

- [R128662](#) (OD=203 mm) (8668)
- [R128660](#) (OD=160 mm) (8667)
- [R128661](#) (OD=183.5 mm) (8672)
- [R128659](#) (OD=154 mm) (8671)



### CRANKSHAFT PULLEY

- [R545125](#) (OD=188 mm) (1334)



### FAN BELT

- [DZ118654](#) (LGTH = 2090 mm) (249A)
- [DZ119385](#) (LGTH = 1650 mm) (24LA)
- [DZ118649](#) (LGTH = 1815 mm) (24LC)
- [DZ118650](#) (LGTH = 1820 mm) (24LE)
- [DZ118563](#) (LGTH = 1785 mm) (24LJ)
- [R533596](#) (LGTH = 1780 mm) (24LJ)
- [DZ118562](#) (LGTH = 1775 mm) (24LF)
- [DZ118648](#) (LGTH = 1810 mm) (24LD, 24KR)
- [DZ118606](#) (LGTH = 1798 mm) (24LH)
- [DZ118559](#) (LGTH = 1700 mm) (249B)
- [DZ118265](#) (LGTH = 1805 mm) (24LB, 24LL)
- [DZ118564](#) (LGTH = 1790 mm) (24LK)
- [DZ118558](#) (LGTH = 1680 mm) (24KQ)
- [DZ118560](#) (LGTH = 1720 mm) (24KS)
- [DZ118554](#) (24LL)



**JOHN DEERE**

Genuine Parts and Service



# REMAN PARTS GUIDE

## 4045HFC92 PowerTech PWX 4.5L Diesel OEM Industrial OEM Engine (IT4)

### TURBO CHARGER



[SE502173](#) (REMAN FOR [RE544979](#)) (65A6)

[SE502761](#) (REMAN FOR [RE571945](#) OR [RE550903](#)) (65A6)

[SE502815](#) (REMAN FOR [RE551595](#) OR [RE548823](#)) (65E7)

### COMPLETE BLOCK ASSEMBLY

#### [RM100172](#)

With Code 3612 May not be as illustrated. Includes cylinder head with valves and rocker arm assembly, balancer shafts, oil pump assembly, complete gasket kit with front and rear seals.

#### [SE502829](#)

With Code 3614 May not be as illustrated. Includes cylinder head with valves and rocker arm assembly, balancer shafts, oil pump assembly, complete gasket kit with front and rear seals.



### CONNECTING ROD

[SE501094](#) (REMAN FOR [RE500608](#)) (4851)



### STARTER

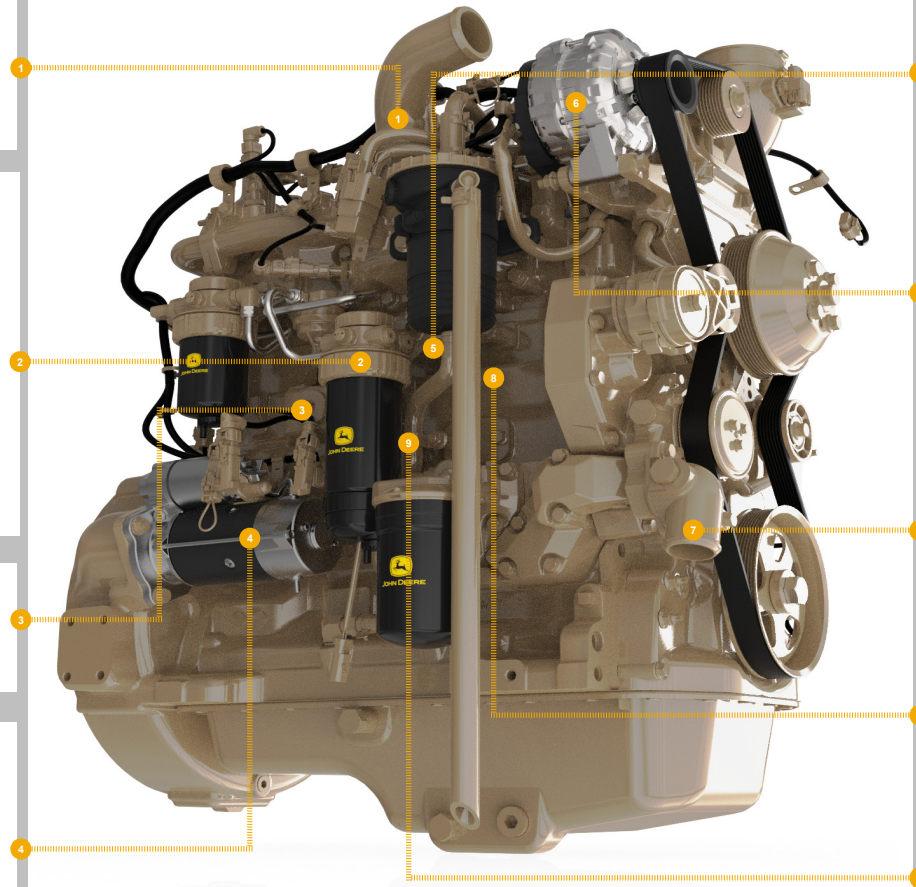
[SE501851](#) (REMAN FOR [RE507670](#) OR [RE549296](#)) (12 V) (3075)

[SE502286](#) (REMAN FOR [RE522738](#)) (9901)

[SE502632](#) (REMAN FOR [RE523502](#)) (3084)

[SE502823](#) (REMAN FOR [RE549230](#)) (30AU)

[SE502736](#) (REMAN FOR [RE551644](#)) (30AY)



### CYLINDER HEAD



[SE502768](#) (REMAN FOR [RE588246](#))

### ALTERNATOR



[SE502560](#) (REMAN FOR [RE537507](#)) (3172)

[SE502561](#) (REMAN FOR [RE537508](#)) (3173)

[SE502563](#) (REMAN FOR [RE538241](#)) (3176)

[SE502688](#) (REMAN FOR [RE555751](#)) (12V, 200A) (3174)

[SE502674](#) (REMAN FOR [RE558678](#)) (24 V, 150 A, BOSCH) (3177)

### WATER PUMP



[SE501227](#) (REMAN FOR [RE546918](#) OR [RE523169](#)) (4440)

### FUEL INJECTION NOZZLE



[SE502671](#) (REMAN FOR [RE545562](#)) (16BB)

[SE502730](#) (REMAN FOR [RE545563](#)) (16CQ)

### CONTROLLER



[SE503035](#) (REMAN FOR [RE551416](#)) (16BB)



**JOHN DEERE**  
Genuine Parts and Service