

REPLACEMENT PART GUIDE

4045DF120R02 PowerTech 4.5L OEM (Non-Certified Engine)



OIL FILTER

[DZ118286](#) (8801)

[RE504836](#) (8842, 8843)

Replace 500 Hours of Operation or Every 12 Months.



SHORT BLOCK ASSEMBLY

[RE571269](#)

[RE571271](#)



CRANKSHAFT PULLEY

[R503880](#) (OD = 189 mm) (1327)

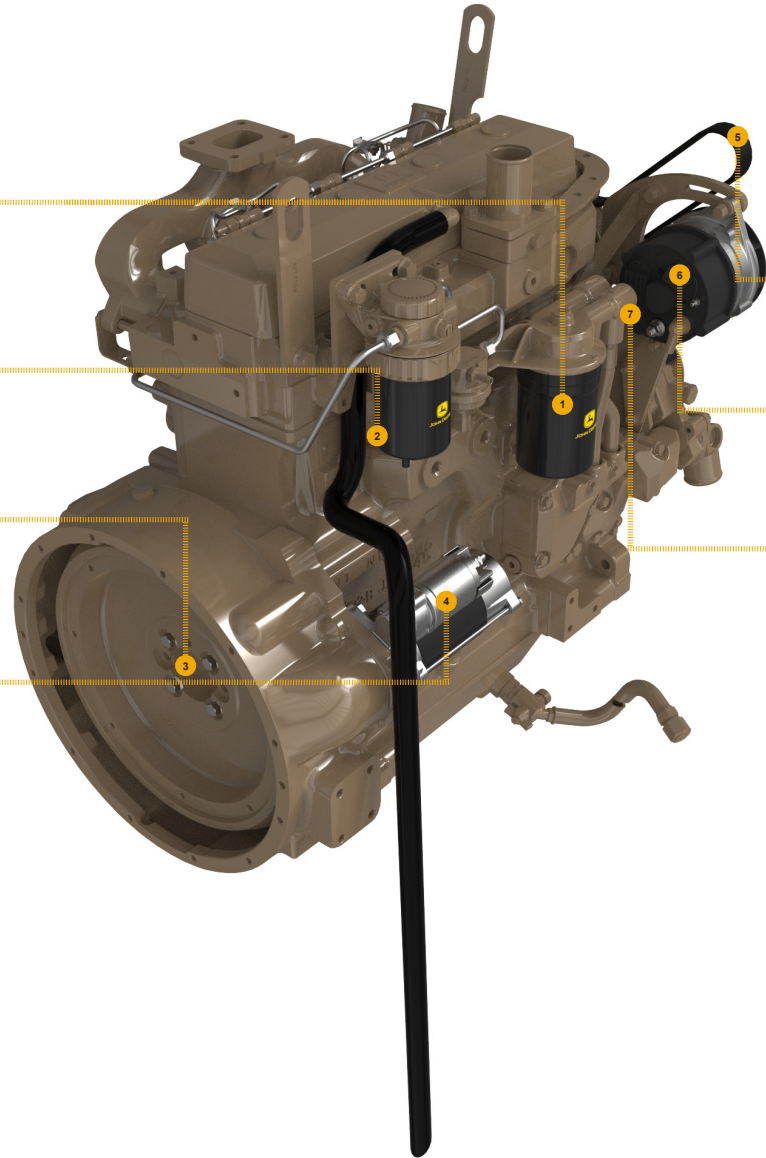
[R545125](#) (OD = 189 mm) (1334)



STARTER MOTOR

[RE523502](#) (12V, 4.2KW) (30AB, 30AS)

[DZ110068](#) (12V) (30DJ)



FAN BELT

[T428724](#) (LGTH = 1575 mm) (2409)

[DZ119059](#) (LGTH = 1515 mm) (240B)



ALTERNATOR

[RE533516](#) (12V, 75A) (3111, 3154)



FAN PULLEY

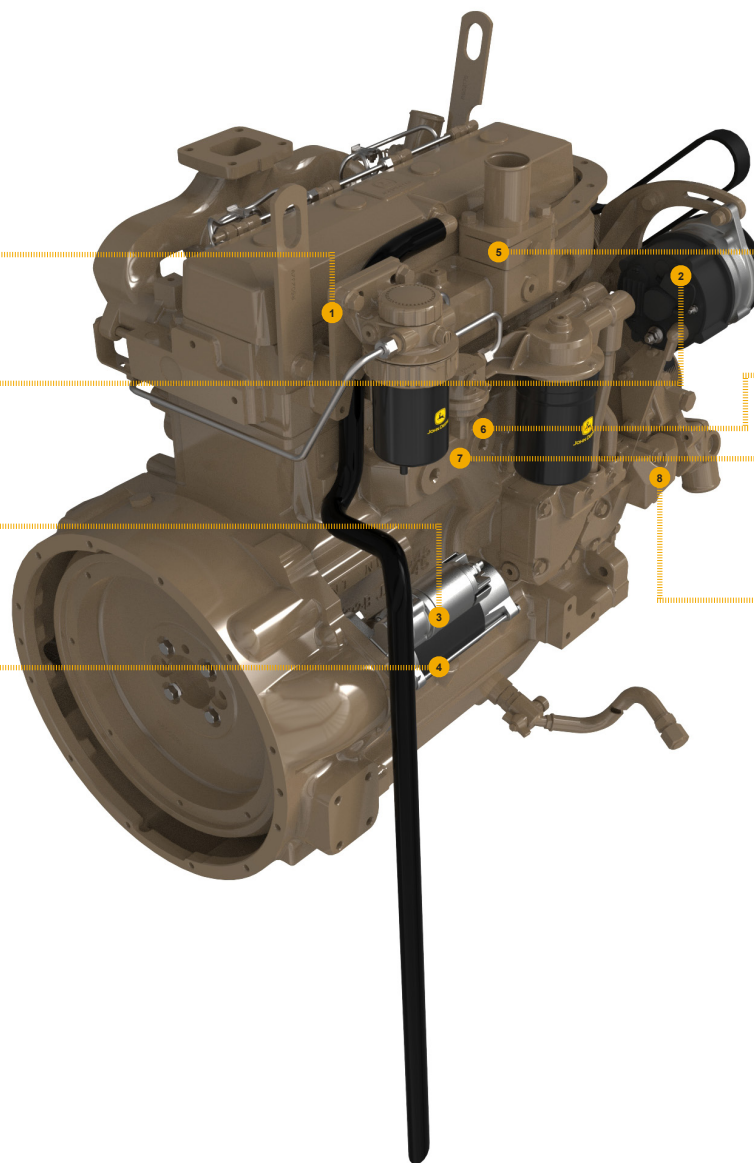
[R128658](#) (OD = 140 mm) (8664)



JOHN DEERE
Genuine Parts and Service

REMAN PART GUIDE

4045DF120R02 PowerTech 4.5L OEM (Non-Certified Engine)



FUEL INJECTION NOZZLE

[SE501102](#) (REMAN FOR [RE60062](#))
(16M4, 1654)



ALTERNATOR

[SE502626](#) (REMAN FOR [RE533516](#))
(12V, 75A) (3111, 3154)



STARTER MOTOR

[SE502632](#) (REMAN FOR [RE523502](#))
(12V, 4.2KW) (30AB, 30AS)



OIL PUMP

[SE501814](#) (REMAN FOR [DZ100057](#)) (5001)



TURBOCHARGER

[SE502378](#) (REMAN FOR [RE508973](#)) (653R)



CYLINDER HEAD

[SE501579](#) (REMAN FOR [RE57234](#))
(5102, 5193)



CONNECTING RODS

[SE501096](#) (REMAN FOR [RE500002](#)) (4833)



WATER PUMP

[SE501609](#) (REMAN FOR [RE546906](#))
(4426, 44BL, 44CG)



JOHN DEERE
Genuine Parts and Service