

# REPLACEMENT PARTS GUIDE

## 4024TF270 PowerTech 2.4L OEM Engine (4024)



### ALTERNATOR



- [RE529377](#) (12V, 70A) (3102)
- [AH165975](#) (12V, 120A) (3103)
- [RE522401](#) (24V, 50A) (3104)
- [RE509080](#) (12V, 65A) (3105)

### FUEL FILTER



- [RE508202](#) (3501, 3505, 3508)
- 500 Hours of Operation or Every 12 Months.

### OIL FILTER

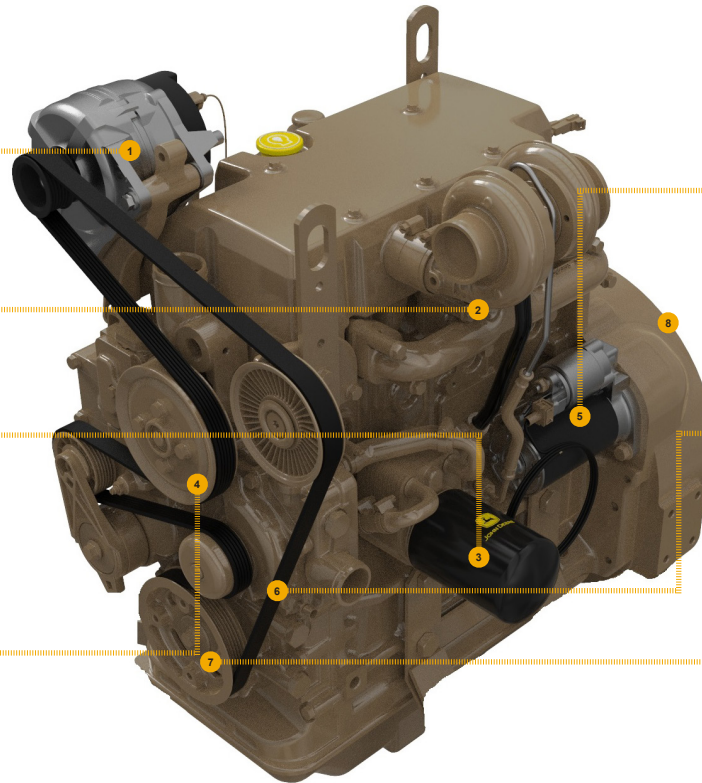


- [RE519626](#) (8801)
- 500 Hours of Operation or Every 12 Months.

### FAN PULLEY



- [R505808](#) (OD = 140 mm) (8601)
- [R516401](#) (OD = 127 mm) (8602)
- [R516400](#) (OD = 160 mm) (8603)
- [R520415](#) (OD = 140 mm) (8604)
- [R520414](#) (OD = 160 mm) (8605)
- [R520462](#) (OD = 127 mm) (8606)



### STARTER



- [RE540304](#) (2V, 12.2KW) (3002)
- [RE540305](#) (24V, 3.0KW) (3003)
- [RE540303](#) (12V, 2.6KW) (3007)

### FAN BELT



- [R505810](#) (LGTH = 2340 mm) (2402, 2404, 2418)
- [R515222](#) (LGTH = 2270 mm) (2401, 2409)
- [R515217](#) (LGTH = 2300 mm) (2403, 2411)
- [DZ119646](#) (LGTH = 2415 mm) (2405, 2427)
- [R517012](#) (LGTH = 2465 mm) (2406)
- [R517039](#) (LGTH = 2435 mm) (2413, 2428)
- [DZ118743](#) (LGTH = 2415 mm) (2426)

### CRANKSHAFT PULLEY



- [RE520244](#) (OD = 140 mm) (1301, 1302)

# REMAN PARTS GUIDE

## 4024TF270 PowerTech 2.4L OEM Engine (4024)



### ALTERNATOR



[SE501343](#) (REMAN FOR [AH165975](#))  
(12V, 120A) (3103)

[SE501831](#) (REMAN FOR [RE529377](#))  
(12V, 70A) (3102)

### STARTER



[RM100157](#) (REMAN FOR [RE540304](#))  
(12V, 2.2KW) (3002)

[RM100034](#) (REMAN FOR [RE540303](#))  
(24V, 3.0KW) (3003)

### WATER PUMP



[SE502115](#) (REMAN FOR [RE545572](#))  
(S250) (2002)

[SE502114](#) (REMAN FOR [RE545573](#))  
(S250) (2001)

### CONNECTING RODS



[SE501898](#) (REMAN FOR [RE504544](#))  
(4802, 4806, 4809)

### CYLINDER HEAD



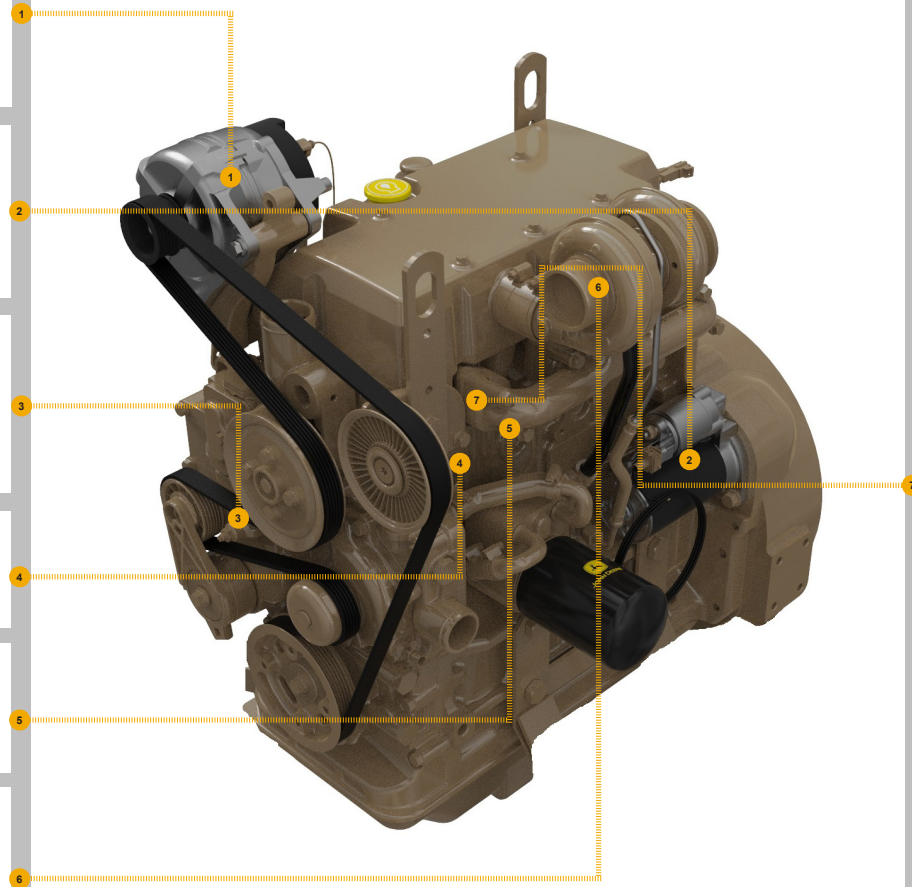
[SE501605](#) (REMAN FOR [RE506335](#))  
(5101)

### TURBOCHARGER



[SE501678](#) (REMAN FOR [RE518228](#))  
(6511)

[SE502214](#) (REMAN FOR [RE518226](#))  
(6523)



### COMPLETE BLOCK ASSEMBLY

[SE502092](#) (REMAN FOR [RE543441](#))  
W/O BALANCER SHAFTS,  
W/ PISTON CODE 4809.

[SE501601](#) (REMAN FOR [RE528291](#))  
W/O BALANCE SHAFTS,  
W/ PISTON CODE 4802.

[SE501600](#) (REMAN FOR [RE528289](#))  
W/ PISTON CODE 4802.

[SE501599](#) (REMAN FOR [RE528292](#))  
W/O BALANCE SHAFTS,  
W/ PISTON CODE 4806.

[SE501598](#) (REMAN FOR [RE528290](#))  
W/ PISTON CODE 4806.

[SE501597](#) (REMAN FOR [RE543447](#))  
W/ PISTON CODE 4809.

[SE502097](#) (REMAN FOR [RE543441](#))  
BALANCER SHAFT CODE 4599,  
PISTON CODE 4806 AND FUEL  
SYSTEM CODE 1632.

[SE502096](#) (REMAN FOR [RE543441](#))  
BALANCER SHAFT CODE 4501,  
PISTON CODE 4802 AND  
FUEL SYSTEM CODE 1601.

[SE502095](#) (REMAN FOR [RE543441](#))  
BALANCER SHAFT CODE 4501,  
PISTON CODE 4809 AND FUEL  
SYSTEM CODE 1654.

[SE502094](#) (REMAN FOR [RE543441](#))  
BALANCER SHAFT CODE 4599,  
PISTON CODE 4809 AND FUEL  
SYSTEM CODE 1654.

[SE502093](#) (REMAN FOR [RE543441](#))  
BALANCER SHAFT CODE 4599,  
PISTON CODE 4802 AND FUEL  
SYSTEM CODE 1601.

