



# REPLACEMENT PART GUIDE

## 4024TF281 PowerTech 2.4L OEM Engine

### FAN BELT

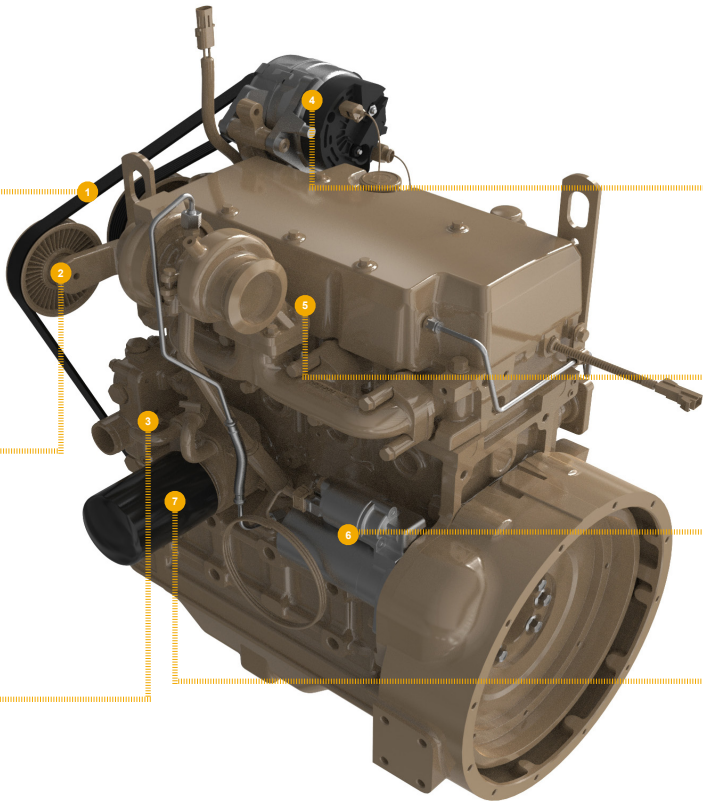
- [DZ118732](#) (LGTH = 2365 mm) (2401, 2409)
- [DZ118729](#) (LGTH = 2325 mm) (2403, 2411)
- [DZ118741](#) (LGTH = 2340 mm)  
(2402, 2404, 2418)
- [DZ118737](#) (LGTH = 2490 mm) (2406)
- [DZ118735](#) (LGTH = 2460 mm) (2413, 2428)
- [DZ118743](#) (LGTH = 2415 mm) (2426)
- [DZ119646](#) (LGTH = 2415 mm) (2405, 2427)
- [DZ118736](#) (LGTH = 2480 mm) (2456)

### FAN PULLEY

- [R505808](#) (OD = 140 mm) (8601)
- [R516401](#) (OD = 127 mm) (8602)
- [R516400](#) (OD = 160 mm) (8603)
- [R520415](#) (OD = 145.94 mm) (8604)
- [R520414](#) (OD = 165.94 mm) (8605)
- [R520462](#) (OD = 132.94 mm) (8606)

### CRANKSHAFT PULLEY

- [RE520244](#) (ALSO ORDER [AR67942](#))  
(OD = 140 mm) (1301)



### ALTERNATOR



- [RE529377](#) (12 V, 70 A) (3102)
- [AH165975](#) (BOSCH, 12 V, 120 A) (3103)
- [RE522401](#) (ISKRA, 24 V, 50 A) (3104)
- [RE509080](#) (12 V, 65 A) (3105)

### FUEL FILTER



- [RE508202](#) (3501, 3505, 3508)
- 500 Hours of Operation or Every 12 Months.

### STARTER MOTOR



- [RE540304](#) (BOSCH, 12V, 2.2KW) (3002)
- [RE540305](#) (ISKRA, 24 V, 3 KW) (3003)

### OIL FILTER

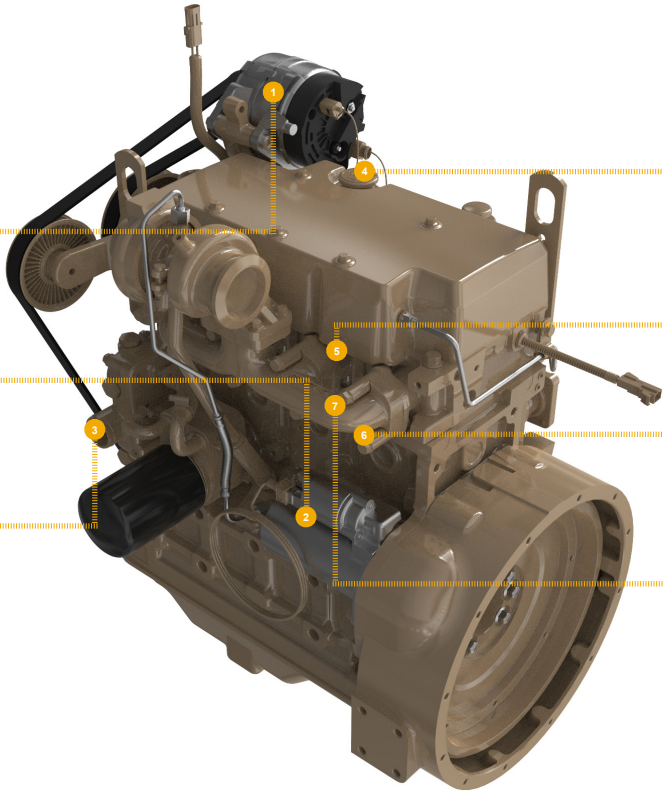


- [RE519626](#) (5903)
- 500 Hours of Operation or Every 12 Months.



# REMAN PARTS GUIDE

## 4024TF281 PowerTech 2.4L OEM Engine



### ALTERNATOR

[SE501831](#) (REMAN FOR [RE529377](#)) (3102)  
[SE501343](#) (REMAN FOR [AH165975](#))  
(BOSCH, 12 V, 120 A) (3103)



### STARTER MOTOR

[RM100034](#) (REMAN FOR [RE508922](#)) (3002)



### WATER PUMP

[SE502114](#) (REMAN FOR [RE507604](#)) (2001)  
[SE502115](#) (REMAN FOR [RE518520](#)) (2002)



### TURBO CHARGER

[SE501678](#) (REMAN FOR [RE518228](#))  
(6511, 6524)  
[SE501634](#) (REMAN FOR [RE70036](#))  
(6513, 6526)



### CYLINDER HEAD REMAN

[SE501605](#) (REMAN FOR [RE506335](#)) (5101)



### CONNECTING ROD

[SE501898](#) (REMAN FOR [RE504544](#))  
(4806, 4809)



### COMPLETE BLOCK ASSEMBLY

[SE502097](#)

May not be as illustrated. Includes cylinder head with valves and rocker arm assembly, balancer shafts, oil pump assembly, complete gasket kit with front and rear seals.



**JOHN DEERE**  
Genuine Parts and Service